

# DELAYAN™

Professional Grade Agricultural Pumps.



***Power*FLO**  
Diaphragm Pumps

# Delavan knows what

HD Magnum™

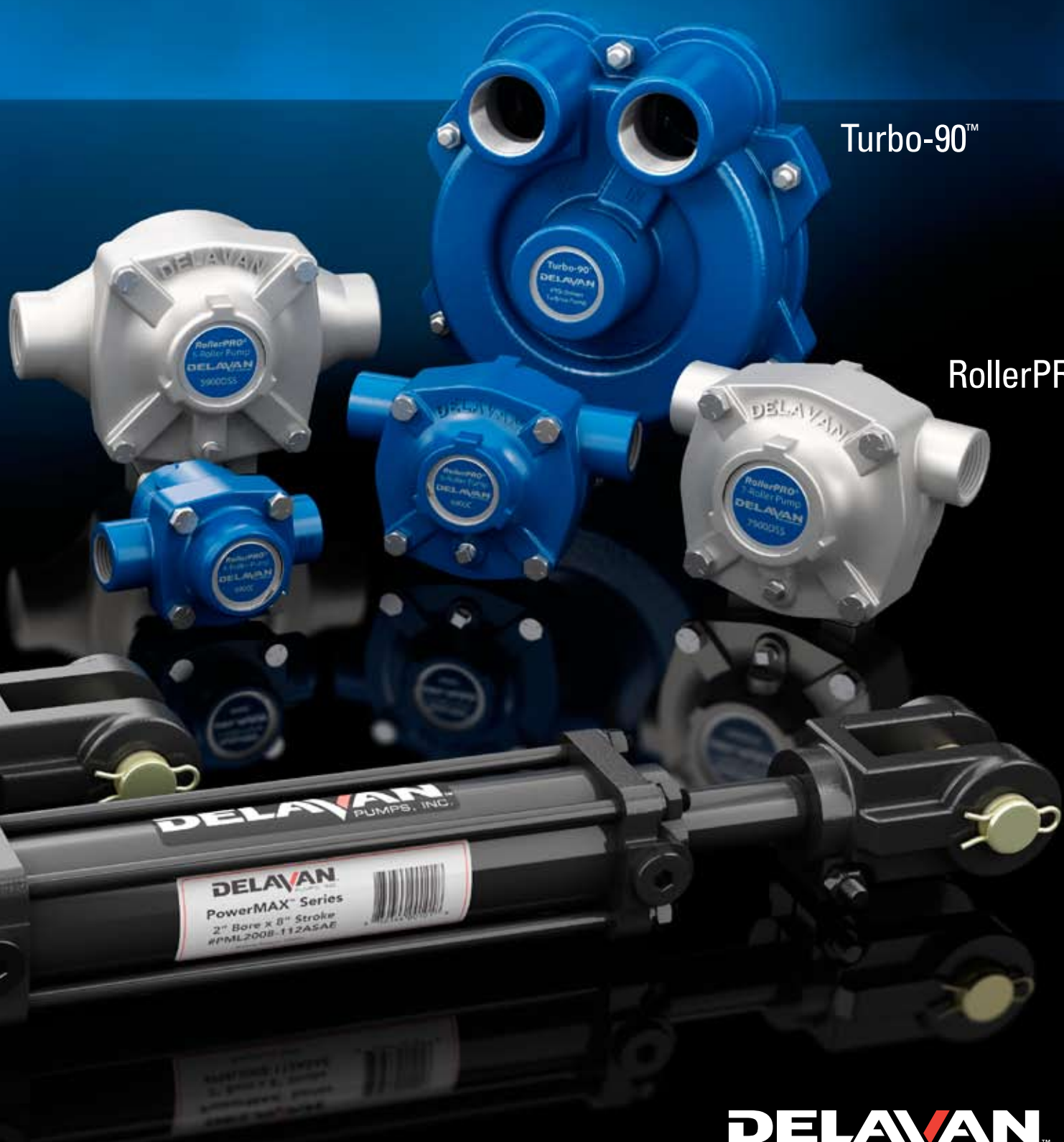


PowerFLO™



PowerMAX™

# you need out of a pump.



Turbo-90™

RollerPRO™

**DELAVAN**  
PUMPS, INC.

**DELAVAN**  
PowerMAX™ Series  
2" Bore x 8" Stroke  
#PML200B-112ASAE

**DELAVAN**™



## Sizing, Selection & Plumbing Diagrams

### How to Determine Pump Capacity for Your Sprayer

---

**Pump Capacity (GPM):** Boom Requirement (GPM) + Agitation Requirement (GPM)

**Boom Requirement (GPM):** Number of nozzles x flow rate per nozzle (GPM at desired PSIG)

**Agitation Requirement (GPM):** 5% of total tank volume if using liquids; 10% if using wettable powders

#### Example:

A boom with extended range 80-04 tips (0.40 GPM at 40 PSIG) and a 200 gallon tank with tank agitation.

Pump Capacity = (17 x 0.40) + (5% of 200)

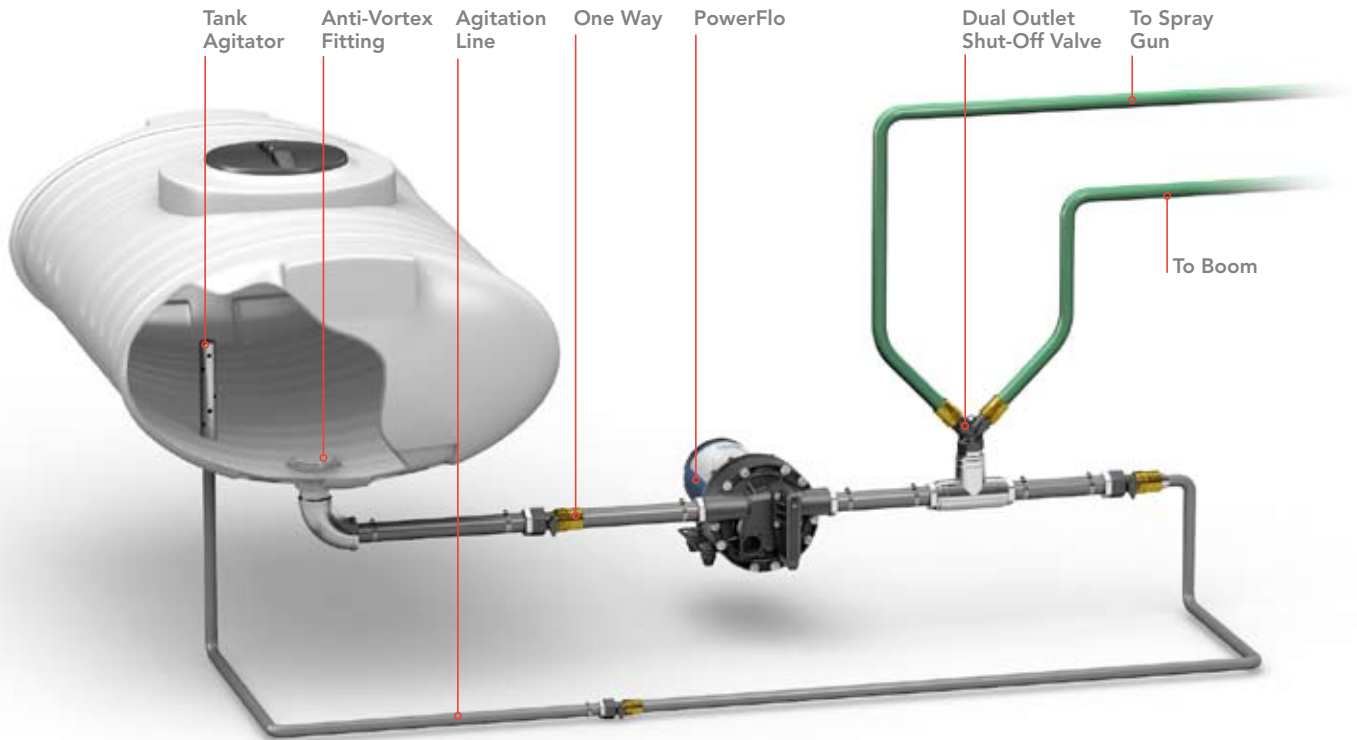
Pump Capacity = 6.8 + 10.0

Pump Capacity = 16.8 GPM

- See individual product specification pages for complete performance information.
- Please contact your Delavan Sales Agent or the factory if you need assistance in sizing a roller pump to your application. For high volume orders, customized units are available – consult factory.
- Use the pump flow charts to select the appropriate size roller pump based on your speed and pressure.



## Diaphragm Pump Plumbing Diagram,



### How a Diaphragm Pump Works

- The pump is driven by an AC or DC motor
- In front of the motor is a valve assembly containing two to five valve pump chambers. Each valve chamber has a diaphragm behind it in the lower pump housing. As the motor shaft turns, an internal cam positioned behind the diaphragms causes the diaphragms to be pushed forward, then back in a continuous sequence creating a suction. As this suction builds, fluid is pulled through the inlet, through the various valve chamber check valves to the outlet
- The volume of flow is determined by several factors including: the number and size of the pump chambers, cam offset, operating pressure, fluid viscosity



**DELAN**<sup>TM</sup>

# **PowerFLO**

**Diaphragm Pumps**



Lead Wires and Molded 2-Pin Connector Included.

**It takes guts to be a pump this good.**



# PowerFLO

2200 SERIES  
Diaphragm Pump



- 1.0 GPM
- 40 PSI Max.
- 12 Volt DC
- Self Priming
- Inlet / Outlet:  
3/8 in. Hose Barb
- Pump Mode:  
Demand
- Power Connector:  
Lead Wire or  
Two Pin Molded
- Switch Options:  
In-line On / Off  
with Wire Harness

**Models: Demand Pump**  
**2200** 1.0 GPM Pump / 3/8" Hose Barb

## Specifications:

### Motor

- Type:** 12 VDC permanent magnet, thermally protected, splashproof
- Connection:** 2200-1: 18 AWG, 9" long  
2200-2/2200-3: 18 AWG, 4.5" long with 2-pin connector
- Duty Cycle:** Intermittent

### Pump

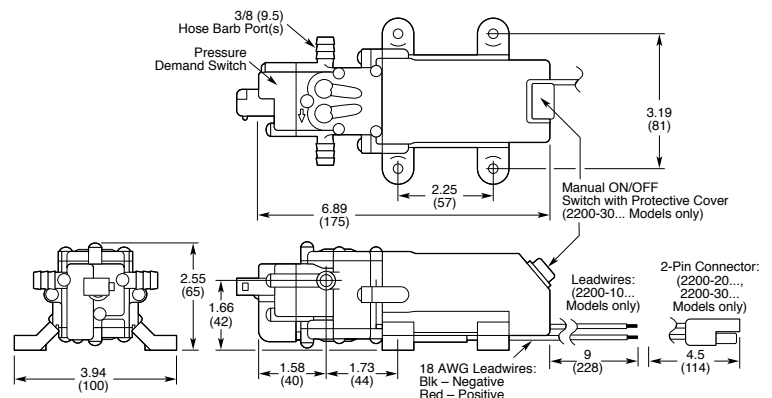
- Type:** 2 chamber positive displacement diaphragm pump, self priming, capable of being run dry
- Max Recommended Temperature:** 110°F (43°C)
- Priming Capabilities:** 4 feet (1.2 m) suction lift
- Max Pressure:** 40 PSI (2.8 bar)
- Pressure Demand Switch:** Shut-Off: 40 ±5 PSI (2.8 ±0.3 bar) factory setting  
Turn-On: 25 ±5 PSI (1.7 ±0.3 bar) factory setting
- Inlet/Outlet Ports:** 3/8" hose barb
- Weight:** 1.25 lbs (.57 kg)

## Materials of Construction

- Motor Housing:** Nylon 6/6
- Pump Housing:** Polypropylene
- Valves:** Viton
- Diaphragm:** Santoprene
- Fasteners:** Stainless steel and zinc plated

## Performance

PSI	Bar	GPM	LPM	Amps
0-3	0.2	1.00	3.7	1.5
10	0.7	0.85	3.1	1.9
20	1.4	0.71	2.6	2.1
30	2.1	0.61	2.3	2.4
40	2.8	0.42	1.6	2.6



2200 Demand Pump



# PowerFLO

7800 SERIES  
Diaphragm Pump



- Models from 1.2 to 2.0 GPM
- 60 PSI Max.
- 12 Volt DC
- Self Priming
- Inlet / Outlet:  
3/8 in. FNPT (Threaded) or  
Delvan Quick Attach Ports
- Pump Mode:  
Bypass or  
Demand
- Power Connector:  
Lead Wire or  
Two Pin Molded
- Switch Options:  
In-line On / Off

**Models: Bypass or Demand**

- 7801** 1.2 GPM Pump / Quick Attach Ports
- 7811** 1.2 GPM Pump / 3/8" FNPT Ports
- 7802** 2.0 GPM Pump / Quick Attach Ports
- 7812** 2.0 GPM Pump / 3/8" FNPT Ports

**Specifications:**

**Motor**

- Type:** 12 VDC permanent magnet, totally enclosed, non-ventilated
- Leads:** 14 AWG, 12" long
- Temperature Limits:** Motor is not equipped with thermal protection. For user safety, optimal performance, and maximum motor life, the motor surface temperature should not exceed 150°F (66°C)

**Pump**

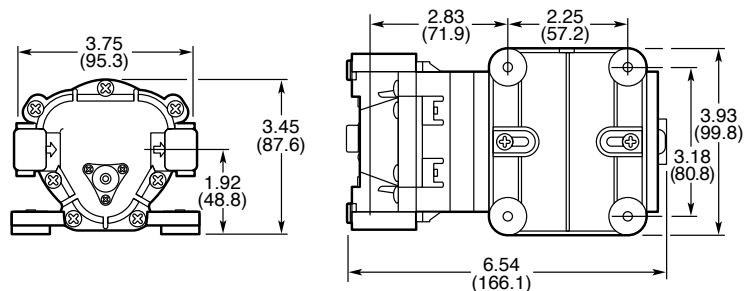
- Type:** 3 chamber positive displacement diaphragm pump, self priming, capable of being run dry, demand or bypass mode
- Certifications:** CE Approval
- Liquid Temperature:** 140°F (60°C) Max.
- Priming Capabilities:** 8 feet (4 m)
- Max Pressure:** 60 PSI (4 bar)
- Inlet/Outlet Ports:** 7801/7802: Delvan Quick Attach  
7811/7812: 3/8" FNPT
- Weight:** 6 lbs (2.7 kg)

**Materials of Construction**

- Housings:** Polypropylene
- Valves:** Viton
- Diaphragm:** Santoprene
- Fasteners:** Stainless steel

**Performance**

PSI	7801/7811		7802/7812	
	GPM	Amps	GPM	Amps
10	1.20	1.8	2.00	2.8
20	0.85	2.7	1.70	3.7
30	0.70	3.2	1.60	4.2
40	0.60	3.7	1.55	4.7
50	0.45	4.2	1.25	5.2
60	0.40	4.7	1.05	5.7



7801 with Delvan Quick Attach Ports

# PowerFLO

5800 SERIES Diaphragm Pump



The Ultimate ATV Sprayer Pump

- Models from 3.0 to 5.0 GPM
- 100 PSI Max.
- 12 Volt DC
- Self Priming
- Inlet / Outlet:  
1/2 in. FNPT (Threaded)
- Pump Mode:  
Bypass or Demand
- Power Connector:  
Lead Wire or Two Pin Molded
- Switch Options:  
In-line On / Off

**Models: 1/2 Inch FNPT Ports**

- 5830** 3.0 GPM Pump / Bypass or Demand
- 5836** 3.6 GPM Pump / Bypass or Demand
- 5840** 4.0 GPM Pump / Bypass or Demand
- 5850** 5.0 GPM Pump / Bypass or Demand

**Specifications:**

**Motor**

- Type:** 12 VDC permanent magnet, totally enclosed, non-ventilated
- Leads:** 14 AWG, 12" long
- Temperature Limits:** Motor is not equipped with thermal protection. For user safety, optimal performance, and maximum motor life, the motor surface temperature should not exceed 180°F (82°C)

**Pump**

- Type:** 5 chamber positive displacement diaphragm pump, self priming, capable of being run dry, demand or bypass mode
- Liquid Temperature:** 140°F (60°C) Max.
- Priming Capabilities:** 14 feet (4 m)
- Max Pressure:** 100 PSI (7 bar)
- Inlet/Outlet Ports:** 1/2" FNPT
- Weight:** 5830/5836: 6 lbs (2.7 kg)  
5840/5850: 8 lbs (2.7 kg)

**Materials of Construction**

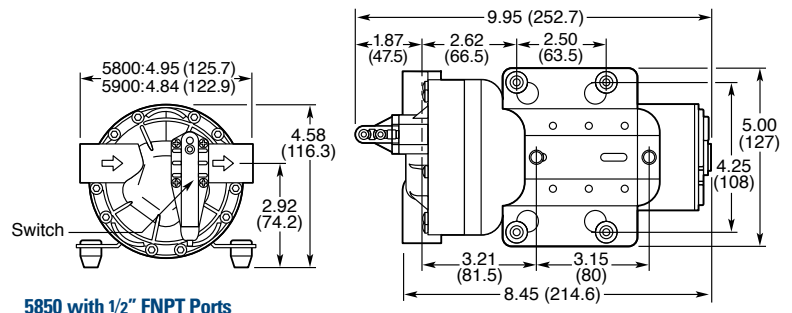
- Pump Housings:** Polypropylene
- Valves:** Viton
- Diaphragm:** Santoprene
- Fasteners:** Stainless steel
- Motor Shell:** Coated Steel

**Performance**

PSI	5830		5836	
	GPM	Amps	GPM	Amps
10	3.20	3.5	3.60	4.0
20	2.80	5.8	3.10	5.9
30	2.65	7.2	2.80	7.5
40	2.45	8.3	2.60	8.9
50	2.20	9.1	2.40	9.7
60	2.00	9.9	2.20	10.5

PSI	5840		5850	
	GPM	Amps	GPM	Amps
10	4.00	4.8	5.00	6.0
20	3.70	6.1	4.50	9.0
30	3.10	7.7	4.10	11.0
40	2.70	9.6	3.88	13.0
50	2.50	10.8	3.55	14.6
60	2.40	11.3	3.20	16.3



# PowerFLO

5900 SERIES Diaphragm Pump



The Ultimate ATV Sprayer Pump

- Models from 3.0 to 5.0 GPM
- 100 PSI Max.
- 12 Volt DC
- Self Priming
- Inlet / Outlet:  
Delavan Quick Attach Ports
- Pump Mode:  
Bypass or Demand
- Power Connector:  
Lead Wire or Two Pin Molded
- Switch Options:  
In-line On / Off

**Models: Delavan Quick Attach Ports**

- 5930** 3.0 GPM Pump / Bypass or Demand
- 5936** 3.6 GPM Pump / Bypass or Demand
- 5940** 4.0 GPM Pump / Bypass or Demand
- 5950** 5.0 GPM Pump / Bypass or Demand

**Specifications:**

**Motor**

- Type:** 12 VDC permanent magnet, totally enclosed, non-ventilated
- Leads:** 14 AWG, 12" long
- Temperature Limits:** Motor is not equipped with thermal protection. For user safety, optimal performance, and maximum motor life, the motor surface temperature should not exceed 180°F (82°C)

**Pump**

- Type:** 5 chamber positive displacement diaphragm pump, self priming, capable of being run dry, demand or bypass mode
- Certifications:** NSF Standard 58
- Liquid Temperature:** 140°F (60°C) Max.
- Priming Capabilities:** 14 feet (4 m)
- Max Pressure:** 100 PSI (7 bar)
- Inlet/Outlet Ports:** Delavan Quick Attach
- Weight:** 5930/5936: 6 lbs (2.7 kg)  
5940/5950: 8 lbs (2.7 kg)

**Materials of Construction**

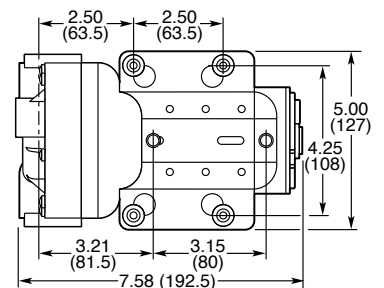
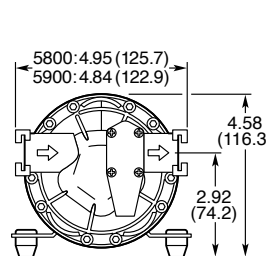
- Pump Housings:** Polypropylene
- Valves:** Viton
- Diaphragm:** Santoprene
- Fasteners:** Stainless steel
- Motor Shell:** Coated Steel

**Performance**

PSI	5930		5936	
	GPM	Amps	GPM	Amps
10	3.20	3.5	3.60	4.0
20	2.80	5.8	3.10	5.9
30	2.65	7.2	2.80	7.5
40	2.45	8.3	2.60	8.9
50	2.20	9.1	2.40	9.7
60	2.00	9.9	2.20	10.5

PSI	5940		5950	
	GPM	Amps	GPM	Amps
10	4.00	4.8	5.00	6.0
20	3.70	6.1	4.50	9.0
30	3.10	7.7	4.10	11.0
40	2.70	9.6	3.88	13.0
50	2.50	10.8	3.55	14.6
60	2.40	11.3	3.20	16.3



5930 with Delavan Quick Attach Ports

**PowerFLO**  
Diaphragm Pump  
**FAT BOY**



**Models: Bypass or Demand Pump**

**7870** 7.0 GPM Pump / 1/2" FNPT Ports

**7970** 7.0 GPM Pump / Quick Attach Ports

**Specifications:**

**Motor**

- Type:** 12 VDC permanent magnet, totally enclosed, non-ventilated
- Leads:** 14 AWG, 12" long
- Temperature Limits:** Motor is not equipped with thermal protection. For user safety, optimal performance, and maximum motor life, the motor surface temperature should not exceed 180°F (82°C)

**Pump**

- Type:** 5 chamber positive displacement diaphragm pump, self priming, capable of being run dry, demand or bypass mode
- Liquid Temperature:** 140°F (60°C) Max.
- Priming Capabilities:** 14 feet (4 m)
- Max Pressure:** 150 PSI (10 bar)
- Inlet/Outlet Ports:** 7870: 1/2" FNPT  
7970: Delavan Quick Attach
- Weight:** 8 lbs (2.7 kg)

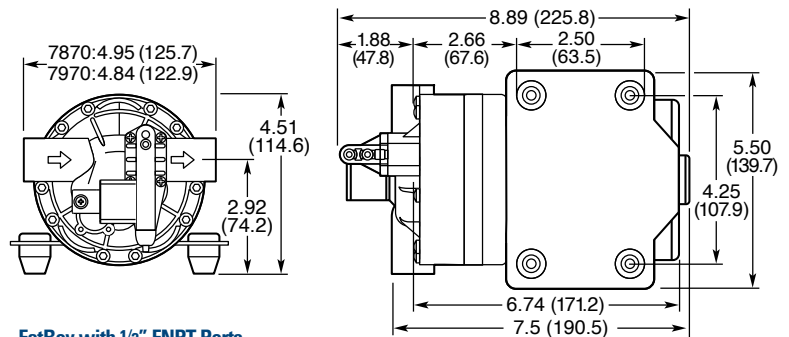
**Materials of Construction**

- Pump Housings:** Nylon
- Valves:** Viton
- Diaphragm:** Santoprene
- Fasteners:** Stainless steel
- Motor Shell:** Coated Steel

**Performance**

PSI	GPM	Amps
10	7.0	11
20	6.81	12
40	5.96	13
60	4.98	17
80	3.96	21
100	2.55	25

- 7.0 GPM
- 150 PSI Max.
- 12 Volt DC
- Self Priming
- Inlet / Outlet:  
1/2 in. FNPT (Threaded) or  
Delavan Quick Attach Ports
- Pump Mode:  
Bypass or  
Demand
- Power Connector:  
Lead Wire
- Switch Options:  
In-line On / Off



**FatBoy with 1/2" FNPT Ports**

\*Many different configurations available, consult factory

**DELANVAN**

**PowerFLO**  
**AQUAJET II**  
 Diaphragm Pump



- Models from 3.4 to 5.0 GPM
- 60 PSI Max.
- 12 Volt DC
- Self Priming
- Inlet / Outlet:  
 Delavan Quick Attach Ports
- Pump Mode:  
 Demand
- Power Connector:  
 Lead Wire
- Switch Options:  
 In-line On / Off

**Models: Variable Flow Demand Pump**  
**55AquaJet-AES** 3.4 GPM Pump / Flow Controlled  
**55AquaJet-ARV** 5.0 GPM Pump / Flow Controlled

**AquaJet RV series Smart pumps**

- Variable speed diaphragm pumps (.25 – 5.5 GPM)
- Can run up to 4 different outlets at the same time without any loss of flow
- Great as a remote water supply or transfer pump
- Automatic adjustment for easy installation  
 “Plug and Play” makes retrofits easier than ever
- Virtually silent operation

**Specifications:**

**Motor**

- Type:** 12 VDC permanent magnet, totally enclosed, non-ventilated  
**Leads:** 14 AWG, 12" long  
**Temperature Limits:** If the heat sink rises above 185°F (85°C), an auto reset thermal protector will shut down the system, allowing the components to cool.

**Pump**

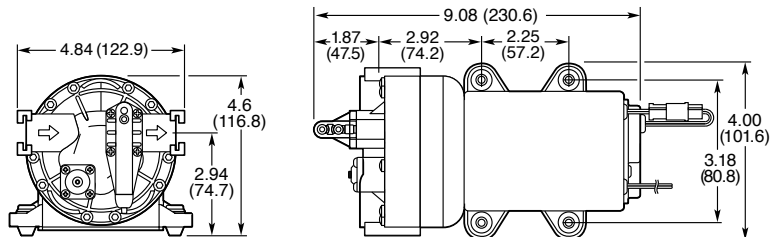
- Type:** 5 chamber diaphragm pump, self priming, capable of being run dry  
**Certifications:** IAMPO, NSF  
**Liquid Temperature:** 140°F (60°C) Max.  
**Priming Capabilities:** AES: 10 feet (3 m)  
 ARV: 13 feet (4 m)  
**Max Pressure:** 60 PSI (4.4 bar)  
**Inlet/Outlet Ports:** Delavan Quick Attach  
**Weight:** AES: 6 lbs (2.7 kg)  
 ARV: 8 lbs (3.6 kg)

**Materials of Construction**

- Pump Housings:** Polypropylene  
**Valves:** Viton  
**Diaphragm:** Santoprene  
**Fasteners:** Stainless steel  
**Motor Shell:** Nylon

**Performance**

PSI	AquaJet-AES		AquaJet-ARV	
	GPM	Amps	GPM	Amps
OPEN	3.4	3.6	5.0	7.2
10	3.0	4.6	4.5	8.4
20	2.7	5.8	3.8	9.7
30	2.3	6.5	2.8	10.0
40	1.6	6.5	2.2	10.0
50	1.0	6.5	1.5	10.0
60	0.7	6.5	1.0	10.0
65	0.6	6.5	0.7	10.0



**AquaJet II AES with Delavan Quick Attach Ports**

# PowerFLO™

Diaphragm Pumps **Ordering Information**

## PowerFLO™ 2200

Item Number	GPM	Pump Type	PSI	Valves	Diaphragm	Ports	Lead Wire	2-pin Molded Connector	Integral On/Off Switch
2200-101	1.0	Demand	40	Viton	Santoprene	3/8" Barb	•		
2200-201	1.0	Demand	40	Viton	Santoprene	3/8" Barb		•	
2200-301	1.0	Demand	40	Viton	Santoprene	3/8" Barb		•	•

## PowerFLO™ 7801-7811

Item Number	GPM	Pump Type	PSI	Valves	Diaphragm	Ports	Lead Wire	2-pin Molded Connector	Integral On/Off Switch
7801-101	1.0	Demand	60	Viton	Santoprene	Quick Attach	•		
7801-201	1.0	Demand	60	Viton	Santoprene	Quick Attach		•	
7801-301	1.0	Demand	60	Viton	Santoprene	Quick Attach		•	•
7811-101	1.0	Demand	60	Viton	Santoprene	3/8" FNPT	•		
7811-201	1.0	Demand	60	Viton	Santoprene	3/8" FNPT		•	
7811-301	1.0	Demand	60	Viton	Santoprene	3/8" FNPT		•	•
7801-111	1.0	Bypass	70	Viton	Santoprene	Quick Attach	•		
7801-211	1.0	Bypass	70	Viton	Santoprene	Quick Attach		•	
7801-311	1.0	Bypass	70	Viton	Santoprene	Quick Attach		•	•
7811-111	1.0	Bypass	70	Viton	Santoprene	3/8" FNPT	•		
7811-211	1.0	Bypass	70	Viton	Santoprene	3/8" FNPT		•	
7811-311	1.0	Bypass	70	Viton	Santoprene	3/8" FNPT		•	•

## PowerFLO™ 7802-7812

Item Number	GPM	Pump Type	PSI	Valves	Diaphragm	Ports	Lead Wire	2-pin Molded Connector	Integral On/Off Switch
7802-101	2.0	Demand	60	Viton	Santoprene	Quick Attach	•		
7802-201	2.0	Demand	60	Viton	Santoprene	Quick Attach		•	
7802-301	2.0	Demand	60	Viton	Santoprene	Quick Attach		•	•
7812-101	2.0	Demand	60	Viton	Santoprene	3/8" FNPT	•		
7812-201	2.0	Demand	60	Viton	Santoprene	3/8" FNPT		•	
7812-301	2.0	Demand	60	Viton	Santoprene	3/8" FNPT		•	•
7802-111	2.0	Bypass	70	Viton	Santoprene	Quick Attach	•		
7802-211	2.0	Bypass	70	Viton	Santoprene	Quick Attach		•	
7802-311	2.0	Bypass	70	Viton	Santoprene	Quick Attach		•	•
7812-111	2.0	Bypass	70	Viton	Santoprene	3/8" FNPT	•		
7812-211	2.0	Bypass	70	Viton	Santoprene	3/8" FNPT		•	
7812-311	2.0	Bypass	70	Viton	Santoprene	3/8" FNPT		•	•

\* Other voltages available, consult factory

## PowerFLO™ 7800 Series Pump Packaging

For volume orders, Delavan can provide your PowerFLO pumps with a variety of packaging and bar code options. Please consult your Delavan Ag Pump Sales Agent to discuss your requirements. Add suffix below to pump model number.

Item Number	Description
-BB	Bulk box with bar code on pump
-SB	Single retail box with bar code on pump (Consult factory to discuss your packaging requirements)

## PowerFLO™ 7801/7802 Quick Attach Fittings

Item Number	Size	Fitting Type	Material	Qty.
3DFA38	5/8" QA x 3/8"	HB Straight Fitting w/ O-Ring	Nylon	1
3DFA12	5/8" QA x 1/2"	HB Straight Fitting w/ O-Ring	Nylon	1
3DFE38	5/8" QA x 3/8"	HB Elbow Fitting w/ O-Ring	Nylon	1
3DFE12	5/8" QA x 1/2"	HB Elbow Fitting w/ O-Ring	Nylon	1
3DFF38	5/8" QA x 3/8"	FNPT Straight Fitting w/O-Ring	Nylon	1
3DFF12	5/8" QA x 1/2"	FNPT Straight Fitting w/O-Ring	Nylon	1
PK-3DFA38	5/8" QA x 3/8"	HB Straight Fitting w/ O-Ring	Nylon	2
PK-3DFA12	5/8" QA x 1/2"	HB Straight Fitting w/ O-Ring	Nylon	2
PK-3DFE38	5/8" QA x 3/8"	HB Elbow Fitting w/ O-Ring	Nylon	2
PK-3DFE12	5/8" QA x 1/2"	HB Elbow Fitting w/ O-Ring	Nylon	2
PK-3DFF38	5/8" QA x 3/8"	FNPT Straight Fitting w/ O-Ring	Nylon	2
PK-3DFF12	5/8" QA x 1/2"	FNPT Straight Fitting w/ O-Ring	Nylon	2



3DFA38



3DFE38



3DFA12



3DFE12

## PowerFLO™ 5830-5836

Item Number	GPM	Pump Type	PSI	Valves	Diaphragm	Ports	Lead Wire	2-pin Molded Connector	On/Off Switch
5830-101C	3.0	Demand	45	Viton	Santoprene	1/2" FNPT	•		
5830-201C	3.0	Demand	45	Viton	Santoprene	1/2" FNPT		•	
5830-301C	3.0	Demand	45	Viton	Santoprene	1/2" FNPT		•	•
5830-111E	3.0	Bypass	70	Viton	Santoprene	1/2" FNPT	•		
5830-211E	3.0	Bypass	70	Viton	Santoprene	1/2" FNPT		•	
5830-311E	3.0	Bypass	70	Viton	Santoprene	1/2" FNPT		•	•
5836-101C	3.6	Demand	45	Viton	Santoprene	1/2" FNPT	•		
5836-201C	3.6	Demand	45	Viton	Santoprene	1/2" FNPT		•	
5836-301C	3.6	Demand	45	Viton	Santoprene	1/2" FNPT		•	•
5836-111E	3.6	Bypass	70	Viton	Santoprene	1/2" FNPT	•		
5836-211E	3.6	Bypass	70	Viton	Santoprene	1/2" FNPT		•	
5836-311E	3.6	Bypass	70	Viton	Santoprene	1/2" FNPT		•	•

## PowerFLO™ 5840-5850

Item Number	GPM	Pump Type	PSI	Valves	Diaphragm	Ports	Lead Wire	2-pin Molded Connector	On/Off Switch
5840-101C	4.0	Demand	45	Viton	Santoprene	1/2" FNPT	•		
5840-201C	4.0	Demand	45	Viton	Santoprene	1/2" FNPT		•	
5840-301C	4.0	Demand	45	Viton	Santoprene	1/2" FNPT		•	•
5840-111E	4.0	Bypass	70	Viton	Santoprene	1/2" FNPT			
5840-211E	4.0	Bypass	70	Viton	Santoprene	1/2" FNPT		•	
5840-311E	4.0	Bypass	70	Viton	Santoprene	1/2" FNPT		•	•
5850-101C	5.0	Demand	45	Viton	Santoprene	1/2" FNPT	•		
5850-101E	5.0	Demand	60	Viton	Santoprene	1/2" FNPT	•		
5850-111E	5.0	Bypass	70	Viton	Santoprene	1/2" FNPT	•		

## PowerFLO™ 5930-5936

Item Number	GPM	Pump Type	PSI	Valves	Diaphragm	Ports	Lead Wire	2-pin Molded Connector	On/Off Switch
5930-101C	3.0	Demand	45	Viton	Santoprene	Quick Attach	•		
5930-201C	3.0	Demand	45	Viton	Santoprene	Quick Attach		•	
5930-301C	3.0	Demand	45	Viton	Santoprene	Quick Attach		•	•
5930-111E	3.0	Bypass	70	Viton	Santoprene	Quick Attach	•		
5930-211E	3.0	Bypass	70	Viton	Santoprene	Quick Attach		•	
5930-311E	3.0	Bypass	70	Viton	Santoprene	Quick Attach		•	•
5936-101C	3.6	Demand	45	Viton	Santoprene	Quick Attach	•		
5936-201C	3.6	Demand	45	Viton	Santoprene	Quick Attach		•	
5936-301C	3.6	Demand	45	Viton	Santoprene	Quick Attach		•	•
5936-111E	3.6	Bypass	70	Viton	Santoprene	Quick Attach	•		
5936-211E	3.6	Bypass	70	Viton	Santoprene	Quick Attach		•	
5936-311E	3.6	Bypass	70	Viton	Santoprene	Quick Attach		•	•

## PowerFLO™ 5940-5950

Item Number	GPM	Pump Type	PSI	Valves	Diaphragm	Ports	Lead Wire	2-pin Molded Connector	On/Off Switch
5940-101C	4.0	Demand	45	Viton	Santoprene	Quick Attach	•		
5940-201C	4.0	Demand	45	Viton	Santoprene	Quick Attach		•	
5940-301C	4.0	Demand	45	Viton	Santoprene	Quick Attach		•	•
5940-111E	4.0	Bypass	70	Viton	Santoprene	Quick Attach	•		
5940-211E	4.0	Bypass	70	Viton	Santoprene	Quick Attach		•	
5940-311E	4.0	Bypass	70	Viton	Santoprene	Quick Attach		•	•
5950-101C	5.0	Demand	45	Viton	Santoprene	Quick Attach	•		
5950-101E	5.0	Demand	60	Viton	Santoprene	Quick Attach	•		
5950-111E	5.0	Bypass	70	Viton	Santoprene	Quick Attach	•		



## PowerFLO™ FatBoy

Item Number	GPM	Pump Type	PSI	Valves	Diaphragm	Ports	Wire Leads
7870-101E	7.0	Demand	60	Viton	Santoprene	1/2" FNPT	•
7870-101Y	7.0	Demand	100	Viton	Santoprene	1/2" FNPT	•
7970-101E	7.0	Demand	60	Viton	Santoprene	Quick Attach	•
7970-101Y	7.0	Demand	100	Viton	Santoprene	Quick Attach	•
7870-111E	7.0	Bypass	70	Viton	Santoprene	1/2" FNPT	•
7870-111Y	7.0	Bypass	120	Viton	Santoprene	1/2" FNPT	•
7970-111E	7.0	Bypass	70	Viton	Santoprene	Quick Attach	•
7970-111Y	7.0	Bypass	120	Viton	Santoprene	Quick Attach	•

## PowerFLO™ 5900/FatBoy Series Quick Attach Fittings

Item Number	Size	Fitting Type	Material	Qty.
5DFA38	3/4" QA x 3/8"	HB Straight Fitting w/ O-Ring	Nylon	1
5DFA12	3/4" QA x 1/2"	HB Straight Fitting w/ O-Ring	Nylon	1
5DFA34	3/4" QA x 3/4"	HB Straight Fitting w/ O-Ring	Nylon	1
5DFE38	3/4" QA x 3/8"	HB Elbow Fitting w/ O-Ring	Nylon	1
5DFE12	3/4" QA x 1/2"	HB Elbow Fitting w/ O-Ring	Nylon	1
5DFE34	3/4" QA x 3/4"	HB Elbow Fitting w/ O-Ring	Nylon	1
PK-5DFA38	3/4" QA x 3/8"	HB Straight Fitting w/ O-Ring	Nylon	2
PK-5DFA12	3/4" QA x 1/2"	HB Straight Fitting w/ O-Ring	Nylon	2
PK-5DFA34	3/4" QA x 3/4"	HB Straight Fitting w/ O-Ring	Nylon	2
PK-5DFE38	3/4" QA x 3/8"	HB Elbow Fitting w/ O-Ring	Nylon	2
PK-5DFE12	3/4" QA x 1/2"	HB Elbow Fitting w/ O-Ring	Nylon	2
PK-5DFE34	3/4" QA x 3/4"	HB Elbow Fitting w/ O-Ring	Nylon	2



5DFA38



5DFE38



5DFA12



5DFE12

## PowerFLO™ AquaJet II

Item Number	GPM	Pump Type	PSI	Valves	Diaphragm	Ports	Wire Leads
55AQUAJET-AES	3.4	Demand	60	Viton	Santoprene	Quick Attach	•
55AQUAJET-ARV	5.0	Demand	60	Viton	Santoprene	Quick Attach	•

## PowerFLO™ 5800/5900/FatBoy Series Pump Packaging

For volume orders, Delavan can provide your PowerFLO pumps with a variety of packaging and bar code options. Please consult your Delavan Ag Pump Sales Agent to discuss your requirements. Add suffix below to pump model number.

Item Number	Description
-BB	Bulk box with bar code on pump
-SB	Single retail box with bar code on pump (Consult factory to discuss your packaging requirements)

\* Other voltages available, consult factory

# PowerFLO

Diaphragm Pumps Accessories

## Repair Kits:

### Complete Pump Head Assembly with Viton Parts

#### Threaded Heads

Item Number	Description
PH-7811-B	7811 w/Bypass
PH-7811-D	7811 w/Pressure Switch
PH-7812-B	7812 w/Bypass
PH-7812-D	7812 w/Pressure Switch
5510-1X77	5830/5836 w/Pressure Switch
5510-2X77	5830/5836 w/Bypass
5512-1X77	5840 w/Pressure Switch
5512-2X77	5840 w/Bypass
5513-1X77	5850 w/Pressure Switch
5513-2X77	5850 w/Bypass

#### Quick Attach Heads

Item Number	Description
PH-7801-B	7801 w/Bypass
PH-7801-D	7801 w/Pressure Switch
PH-7802-B	7802 w/Bypass
PH-7802-D	7802 w/Pressure Switch
5500-1X77	5930/5936 w/Pressure Switch
5500-2X77	5930/5936 w/Bypass
5502-1X77	5940 w/Pressure Switch
5502-2X77	5940 w/Bypass
5503-1X77	5950 w/Pressure Switch
5503-2X77	5950 w/Bypass

### Motor (7800/5800/5900)

(Includes sealed end bell and gasket)

Item Number	Description
M12-78A	7800 No Switch, No Connector
M12-78B	7800 No Switch, Connector
M12-78C	7800 Switch, Connector
M12-58A	5800/5900 No Switch, No Connector
M12-58B	5800/5900 No Switch, Connector
M12-58C	5800/5900 Switch, Connector
M70-563-MO	5800/5900 Bypass

### Upper Housing Assembly

(Includes pump head housing and pressure switch parts)

Item Number	Description
UHA7863-7F77	7800 w/Pressure Switch - Quick Attach
UHA7863-8I77	7800 w/Bypass - Quick Attach
UHA7863-7F77-T	7800 w/Pressure Switch - Threaded
UHA7863-8I77-T	7800 w/Bypass - Threaded
UHA5513-1E77	5800 w/Pressure Switch
UHA5513-2E77	5800 w/Bypass
UHA5503-1E77	5900 w/Pressure Switch
UHA5503-2E77	5900 w/Bypass

### Valve Housing Assembly

(Includes valves and valve housing, Viton)

Item Number	Description
VHA7863-7F77	7800 Series Pumps
VHA5513-1E77	5800/5900 Series Pumps

### Lower Housing Assembly

(Includes diaphragm, pistons, cam and bearing)

Item Number	Description
LHA7860-7F77	7801 - Demand or Bypass
LHA7863-7F77	7802 - Demand or Bypass
LHA5510-1E77	5830/5836 - 5930/5936 Demand or Bypass
LHA5512-1E77	5840/5940 - Demand or Bypass
LHA5513-1E77	5850/5950 - Demand or Bypass

## Wiring Harnesses and Components for 12 VDC Pumps



120" 18 AWG wiring harness with two 30-amp battery clips, molded 2-pin connector (screw terminals with crimp connectors included). Bagged and bar coded.  
**Part #:** WHK-120BC



On-Off Switch  
**Part #:** SW-101



96" 18 AWG wiring harness with on-off switch, two 30-amp battery clips, molded 2-pin connector (screw terminals with crimp connectors included). Bagged and bar coded.  
**Part #:** WHK-101SBC



96" 18 AWG wire assembly with molded 2-pin connector. Bagged and bar coded.  
**Part #:** 96-2PC



96" 18 AWG wiring harness with on-off switch, two 30-amp battery clips, molded 2-pin connector. Bagged and bar coded.  
**Part #:** WHK-102SBC



30-amp 80 mm battery clips.  
**Red:** 30A80M-R  
**Black:** 30A82M-RB



96" 18 AWG wire assembly with molded 2-pin connector and two separate 30-amp battery clips. Bagged and bar coded.  
**Part #:** WHK-101B



96" 18 AWG wiring harness with on-off switch, car adapter, molded 2-pin connector. Bagged and bar coded.  
**Part #:** WHK-201CA



48" 18 AWG wire assembly with separate screw terminals and crimp connectors. Bagged and bar coded.  
**Part #:** WHK-048B



Female car adapter to battery clips converter kit.  
**Part #:** B-CA-10



*Fluid Innovation. Solid Engineering.*

## Standard Warranty

Delavan warrants PowerFLO Series Pumps for a period of one year from date of manufacture.

All products sold by Delavan are warranted only to purchasers from Delavan for resale or for use in purchasers' own business or original equipment manufacture, against defects in workmanship or materials under normal use, maintenance and service (rental use excluded).

The sole and exclusive obligation of Delavan under this or any implied warranty shall be to replace or, at its option, to repair, without charge, any product which is determined by Delavan to be defective in workmanship or materials after the product is returned to the Delavan factory\*, shipping costs prepaid.

In no event shall Delavan be liable to any person for indirect or consequential damages or for injury or commercial loss resulting from any use or inability to use any Delavan product. Delavan expressly negates any other warranty, express or implied, including any warranty of merchantability or fitness for a particular purpose, or arising from any course of dealing or custom or usage of trade.

No person, including any dealer or representative of Delavan, is authorized to make any representation or warranty on behalf of Delavan in addition to or inconsistent with these provisions. Purchasers to whom these provisions apply agree to hold Delavan harmless from claims by their customers in excess of the obligations of Delavan expressly set forth herein.

## \* Important return safety instructions:

When you return your pump for warranty or repair, you must always do the following:

1. Flush chemical residue from the pump (best done in the field).
2. Tag pump with type of chemicals having been sprayed.
3. Include complete description of operation problem, such as how pump was used, symptoms of malfunction, etc.

Since pumps can contain residues of toxic chemicals these steps are necessary to protect all the people who handle return shipments, and to help pinpoint the reason for the breakdown.



The Delavan  
5850 Diaphragm Pump



Delavan Pumps, Inc.  
1228 Chestnut Avenue  
Minneapolis, MN 55403

Phone: 612-333-3189  
Toll Free: 1-866-DELAN  
Fax: 612-333-3231  
Toll Free Fax: 1-888-726-5906

[www.delavanagpumps.com](http://www.delavanagpumps.com)

Copyright©2008 Delavan Ag Pumps Inc.  
Ver. 1.0\_500\_0608

Powerful Products  
for a Fluid World.