

COMANDI C1-C2-C6-C11

E COMANDI A DISTANZA CD1-CD2-CD6-CD11

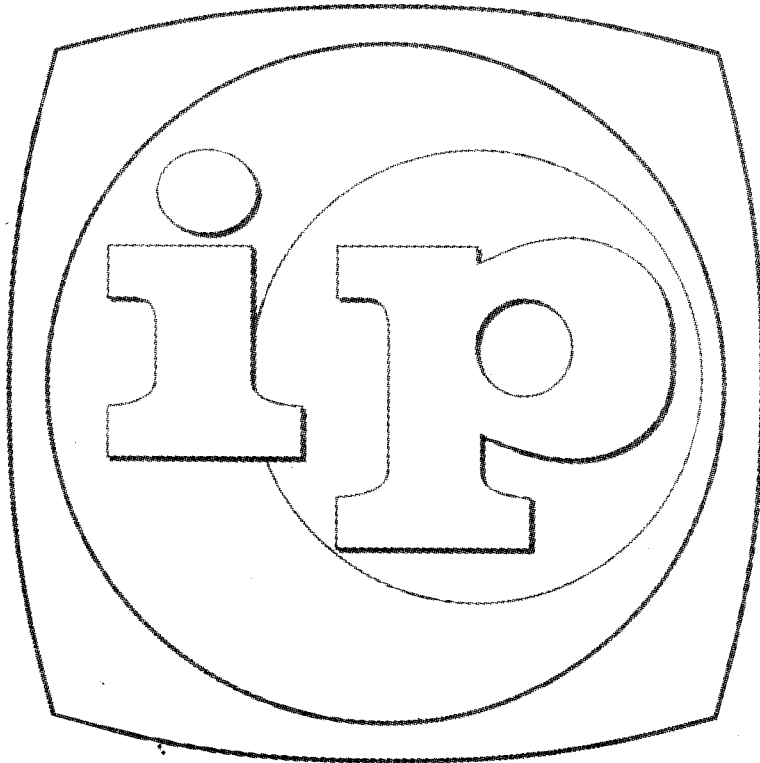
CONTROL UNITS C1-C2-C6-C11 (REMOTE MOUNTED CD1-CD2-CD6-CD11)

COMMANDE INCORPORÉE C1-C2-C6-C11 À DISTANCE CD1-CD2-CD6-CD11

BEDIENUNGSARMATUREN C1-C2-C6-C11

(FERNBEDIENUNGSARMATUREN CD1-CD2-CD6-CD11)

MANDOS DE PRESIÓN C1-C2-C6-C11 (A DISTANCIA CD1/CD2/CD6/CD11)



imovilli pompe

LIBRETTO D'ISTRUZIONE

INSTRUCTION MANUAL

MANUEL D'EMPLOI ET RENSEIGNEMENTS

BETRIEBSANLEITUNG

MANUAL DE INSTRUCCIONES Y MANEJO

CONTROL UNITS C1-C2-C6-C11 (REMOTE MOUNTED CD1-CD2-CD6-CD11)

IMPORTANT:

Imovilli Pompe control units have been designed mainly for use with agricultural sprayers. The construction materials have been studied to withstand the most common products used for plant and crop protection spraying.

The use of aggressive, thick or powdered liquids may affect its reliability and correct functioning; the abrasive products reduce the life of the wearing parts.

INSTALLATION:



Before installing the control unit check that the delivery of the pump to be used in the system is adequate to the max. flow permitted for the control itself.

Install the control in place and fix firmly the appropriate bracket.

HOSES: Use hoses having the internal diameter of the same size of the hose tails supplied by Imovilli Pompe. The delivery hoses must withstand a pressure adequate to the pump used. It is advised to use a by-pass/return hose of min. 10 bar pressure. All hoses must have clearly marked the max. working pressure allowed. Fix the hoses firmly on the hose tails by using hose clamps. The by-pass/discharge hose must be anchored inside the tank to prevent it from coming out accidentally. It is also advisable to position the by-pass/discharge hose on the tank side opposite to the pump suction side to prevent possible turbulences and suction of air bubbles.

For CD1 and CD2 controls it is advisable to use hydraulic couplings \varnothing 3/4" for hose \varnothing 19x32 mm. 50 bar; these can be supplied on request.

STARTING AND USE. Do not start the system unless all hoses are properly connected and fixed. Unscrew the pressure regulating knob (A) in the direction - bar (- ← +) marked on the knob itself.

Rotate the handle (B) to position 0 (0 ← 1) marked on the handle itself; by doing so the regulating valve opens and a better priming of the pump is achieved.

Start the pump. When the liquid flows regularly bring the handle to position 1 (0 → 1).

Screw the knob (A) in the direction + bar (- → +) until you reach the desired pressure.



ATTENTION! NEVER exceed the max. pressure allowed for the pump, marked on the pump label itself, nor the max. pressure for which the system has been designed.



AFTER USE

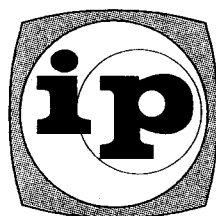
Follow carefully the instructions supplied in the pump instruction booklet. For a long and trouble free life wash the control unit thoroughly with clean water when finished spraying.

FAULTS AND REMEDIES:

The pressure desired cannot be achieved: inadequate flow; check pump flow. Regulating valve/seat worn. Change the worn out parts.

Leakage of water from valve body: damaged regulating valve diaphragm. Change.

Comandi a distanza Remote controls Commandes à distance Fernbedienungs-Armaturen Mandos a distancia	 PORTATA MAX DEBIT MAX DELIVERY MAX CAUDAL MAX FÖRDERLEISTUNG MAX		 PRESSIONE MAX PRESSION MAX PRESSURE MAX PRESION MAX DRUCK MAX	
	ℓ/1'	US.GPM	BAR	PSI
CD 11	50	13,2	40	580
CD 6	80	21,1	50	725
CD 1	150	39,6	50	725
CD 2	230	60,7	50	725



imovilli pompe

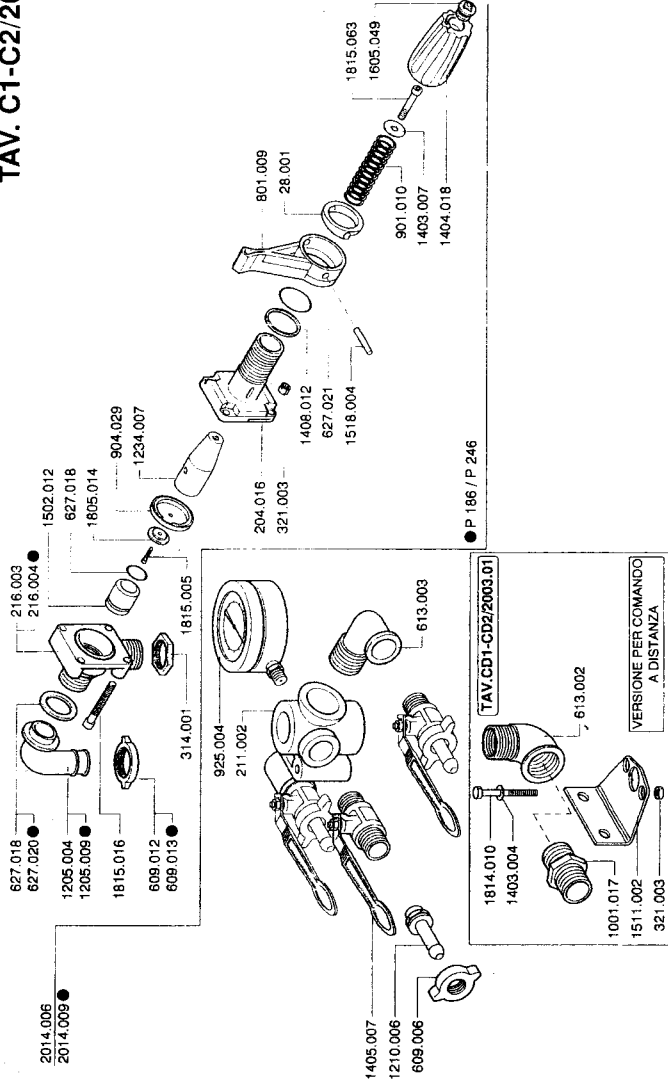
Via Masaccio,1 (Zona Mancasale) - 42010 Reggio Emilia

Tel. +39 0522 516595 - Fax +39 0522 514735

www.imovillipompe.it • e-mail: info@imovillipompe.it

COMANDI C1/C2 - VERSIONE COMANDO A DISTANZA

TAV. C1-C2/2003.01

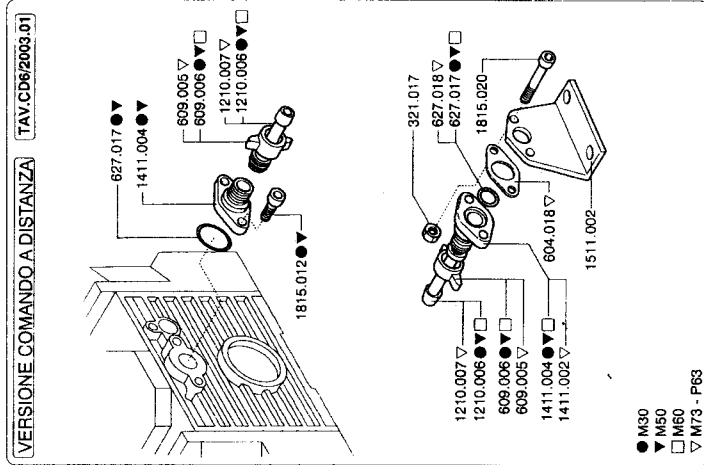
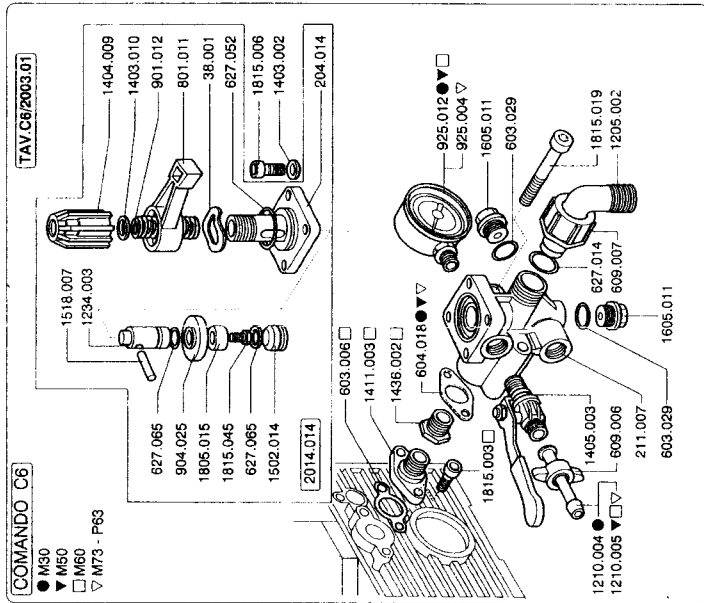


CODICE	DENOMINAZIONE	PEZZI
1815.003	Vite TCEI M4 x 50 - 8.8 UNI 5931	1
2014.006	Gruppo valvola regolazione MHP	1
2014.009	Gruppo valv. reg. P. 186/246	1
2101.004	Kit pronto intervento ■	1
VERSIONE COMANDO A DISTANZA		
321.003	Dado es. M8 UNI 5589	2
609.006	Griello Ø 1/2" OT	1
613.002	Gomito Ø 3/4" M - 3/4" F OT	1
1001.017	Nipplo Ø 3/4" - 3/4" M	1
1210.006	Portagomma dritto Ø 12 OT	1
1403.004	Rondella Bis. Ø 8 UNI 1750	2
1405.007	Rubinetto Ø 1/2" - 1/2" DX	1
1511.002	Stafila supporto comando	1
1814.010	Vite TE M8 x 55 - 8.8 UNI 5737	2

CODICE	DENOMINAZIONE	PEZZI
904.029	Membrana valv. reg. desmopan	1
925.004	Manometro glic. SR 50	1
1205.004	Portagomma curvo Ø25 RSx1" - MHP	1
1205.009	Portag. curvo Ø30 RSx1 1/2" P. 186/246	1
1210.006	Portagomma dritto. Ø 12 OT	2
1234.007	Pistoncino valvola regolazione	1
1403.004	Rondella Bis. Ø 8 UNI 1750	4
1403.007	Rondella Bis. Ø 12 UNI 1750	1
1404.018	Registro pressione valvola regolazione	1
1405.007	Rubinetto Ø 1/2" - 1/2" DX	2
1408.012	Rondella app. leva	1
1502.012	Sede valvola regolazione	1
1518.004	Spina cilindrica Ø 6 x 45 UNI 1707	1
1605.049	Tappo chiusura portalo	1
1805.014	Valvola regolazione	1
1815.005	Vite TCEI M6 x 20 inox UNI 5931	1
1815.016	Vite TCEI M8 x 40 - 8.8 UNI 5931	4

CODICE	DENOMINAZIONE	PEZZI
COMANDO C1/C2		
28.001	Anello piano elicoidale	1
204.016	Corpo valvola regolazione	1
211.002	Corpo gruppo comando	1
216.003	Collettore scarico VR MHP	1
216.004	Collettore scarico VR. P. 186/246	1
314.001	Dado bloccaggio	1
321.003	Dado es. M8 UNI 5589	4
609.006	Griello Ø 1/2" OT	2
609.012	Griello Ø 1" RS - MHP	1
609.013	Griello Ø 1 1/4 RS - P. 186/246	1
613.003	Gomito Ø 3/4" M - 1/2" F OT	1
627.018	Guarn. Ø 3081 - MHP	1
627.020	Guarn. Ø 3118 - P. 186/246	2
627.021	Guarn. Ø 3121	1
801.009	Leva valvola regolazione	1
901.010	Molla valvola regolazione	1

COMANDI C6 - VERSIONE COMANDO A DISTANZA

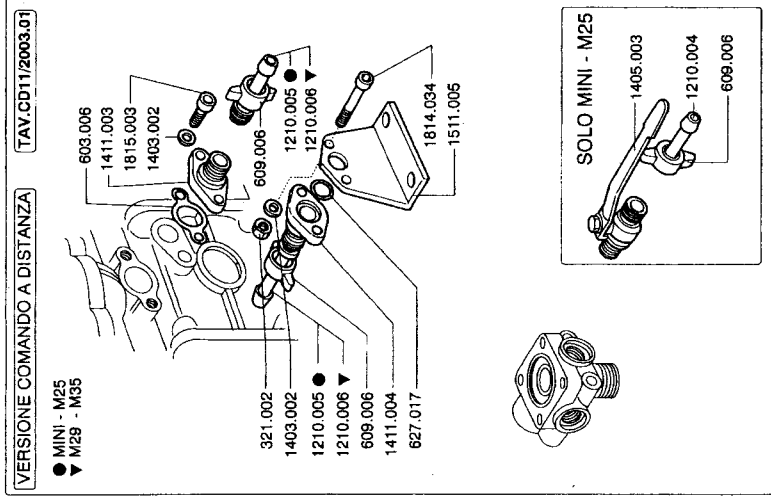
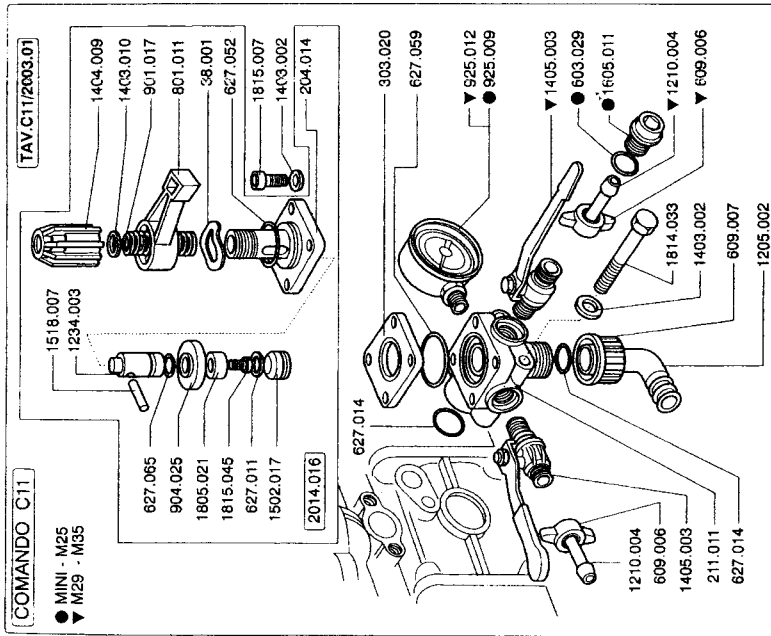


CODICE	DENOMINAZIONE	PEZZI
COMANDO C6		
38.001	Anello el. Ø 26,5 x 31,7 x 0,4	1
204.014	Corpo valvola regolazione	1
211.007	Corpo gruppo comando	1
314.001	Dado bloc. comando (M 73 - P 63)	1
603.006	Guarn. gruppo com. (MINI - M 60)	2
603.029	Guarn. Ø 22 x 16,5 x 2	2
604.018	Guarn. gruppo comando (M 30 - 50)	2
609.006	Griglio Ø 1/2" OT	2
609.007	Griglio Ø 3/4" RS	2
627.014	Guarn. CR 2068	1
627.052	Guarn. CR 2106	1
627.065	Guarn. CR 3043	1
801.011	Leva valvola regolazione	1
901.012	Molla valvola regolazione	1
904.025	Membrana valv. reg. destragan	1
925.004	Manometro glic. SF 50 (M 73 - P 63)	1
925.012	Manom. glic. Ø 60 (M 30 - M 50 - M 60)	1

CODICE	DENOMINAZIONE	PEZZI
1205.002	Paragonnimo curvo Ø 18 RS	1
1210.004	Paragonnimo dritto Ø 8 OT M 30	2
1210.005	Parag. dritto Ø 10 OT M 50-60-73 - P 63	2
1234.003	Pistoncino valvola regolazione	1
1403.002	Rondella bis Ø 8 x 17 UNI 6592	4
1404.009	Registro pressione valvola regolazione	1
1405.003	Rubinetto Ø 1/2" - 3/8" SX	2
1405.004	Rubinetto Ø 1/2" - 3/8" DX	2
1411.003	Raccordo a flangia Ø 1/2" (M 60)	1
1436.002	Riduzione Ø 3/4" M - 1/2" F (M 60)	1
1502.014	Sede valvola regolazione	1
1518.007	Spina cilindrica Ø 6 x 35 UNI 1707	1
1605.011	lappo TCEI Ø 3/8" AL	2
1805.015	Valvola regolazione	2
1815.003	Vite TCEI M6 x 16 - 8 UNI 5931 (M 60)	2
1815.006	Vite TCEI M6 x 22 - 8 UNI 5931	4
1815.019	Vite TCEI M8 x 60 - 8 UNI 5931	2

CODICE	DENOMINAZIONE	PEZZI
1815.045	Vite TCEI M4 x 12 inox UNI 5931	1
2014.014	Gruppo valvola regolazione	1
2101.003	Kit pronto intervento	1
VERSIONE COMANDO A DISTANZA		
321.017	Dado es. Ø 8 basso UNI 5389	2
604.018	Guarn. gruppo comando (M 73 - P 63)	2
609.005	Griglio Ø 3/4" OT (M 73 - P 63)	2
609.006	Griglio Ø 1/2" OT (M 30-50-60)	2
627.017	Guarn. CR 3075	2
627.018	Guarn. CR 3081	2
1210.006	Paragonnimo dritto Ø 12 OT M 30-50-60	2
1210.007	Paragonnimo dritto Ø 13 OT M 73-P 63	2
1411.002	Racc. a flangia Ø 3/4" M 73 - P 63	1
1411.004	Racc. a flangia Ø 1/2" M 30 - M 50 - M 60	2
1511.002	Staffa supporto comando	2
1815.012	Vite TCEI M8 x 22 - 8 UNI 5931	2
1815.020	Vite TCEI M8 x 65 - 8 UNI 5931	2

COMANDI C11 - VERSIONE COMANDO A DISTANZA



CODICE	DENOMINAZIONE	PEZZI
COMANDO C11		
38.001	Arella el. Ø 26,5 x 31,7 x 0,4	1
204.014	Corpo valvola regolazione	1
211.011	Corpo gruppo comando	1
303.020	Distanziale C.G.C.	1
603.029	Guarn. Ø 22 x 16,5 x 2	1
609.006	Griglio Ø 1/2" OT	2
609.007	Griglio Ø 3/4" RS	1
627.011	Guarn. OR 2050	1
627.014	Guarn. OR 2068	2
627.052	Guarn. OR 2106	1
627.059	Guarn. OR 3150	1
627.065	Guarn. OR 3043	1
801.011	leva V.R.	1
901.017	Molla valvola regolazione	1

CODICE	DENOMINAZIONE	PEZZI
904.025	Membrana valv. reg. desmacan	1
925.009	Manometro glic. 0 - 40 (MINI - M 25)	1
925.012	Manometro glic. 0 - 60 (M 29 - M 35)	1
1205.002	Portagomma curvo Ø 18 RS	1
1210.004	Portagomma dritto Ø 8 OT	2
1234.003	Pistoncino V.R.	1
1403.002	Rondella piana Ø 6 UNI 6592	6
1403.010	Rondella Bis. Ø 8 x 17 UNI 6592	1
1404.009	Registro pressione	1
1405.003	Rubinetto Ø 1/2" - 3/8" SX	2
1502.017	Sede valvola regolazione	1
1518.007	Spina cil. Ø 6 x 35 UNI 1707-H11	1
1605.011	Tappo TCEI Ø 3/8" AL	1
1805.021	Valvola regolazione	1
1814.033	Vite TE M 6 x 70 - 8.8 UNI 5737	2

CODICE	DENOMINAZIONE	PEZZI
1815.007	Vite TCEI M 6 x 25 - 8.8 UNI 5931	4
1815.045	Vite TCEI M 4 x 12 inox UNI 5931	1
2014.016	Gruppo Valvola Regolazione	1
2101.002	Kit pronto intervento ■	1
VERSIONE COMANDO A DISTANZA		
321.002	Dado es. M 6 - 8 UNI 5587	2
603.006	Guarnizione gruppo comando	1
609.006	Griglio Ø 1/2" OT	2
627.017	Guarn. OR 3075	1
1210.005	Portagomma dritto Ø 10 OT (MINI - M 25)	2
1210.006	Portagomma dritto Ø 12 OT (M 29 - M 35)	2
1403.002	Rondella piana Ø 6 UNI 6592	4
1411.003	Raccordo a flangia Ø 1/2" su pompa	1
1411.004	Raccordo a flangia Ø 1/2" su comando	1

CODICE	DENOMINAZIONE	PEZZI
1511.005	Staffa supporto comando	1
1814.034	Vite TE M 6 x 80 - 8.8 UNI 5737	2
1815.003	Vite TCEI M 6 x 16 - 8.8 UNI 5931	2
	SOLO MINI - M 25	
609.006	Griglio Ø 1/2" OT	1
1210.004	Portagomma dritto Ø 8 OT	1
1405.003	Rubinetto Ø 1/2" - 3/8" SX	1