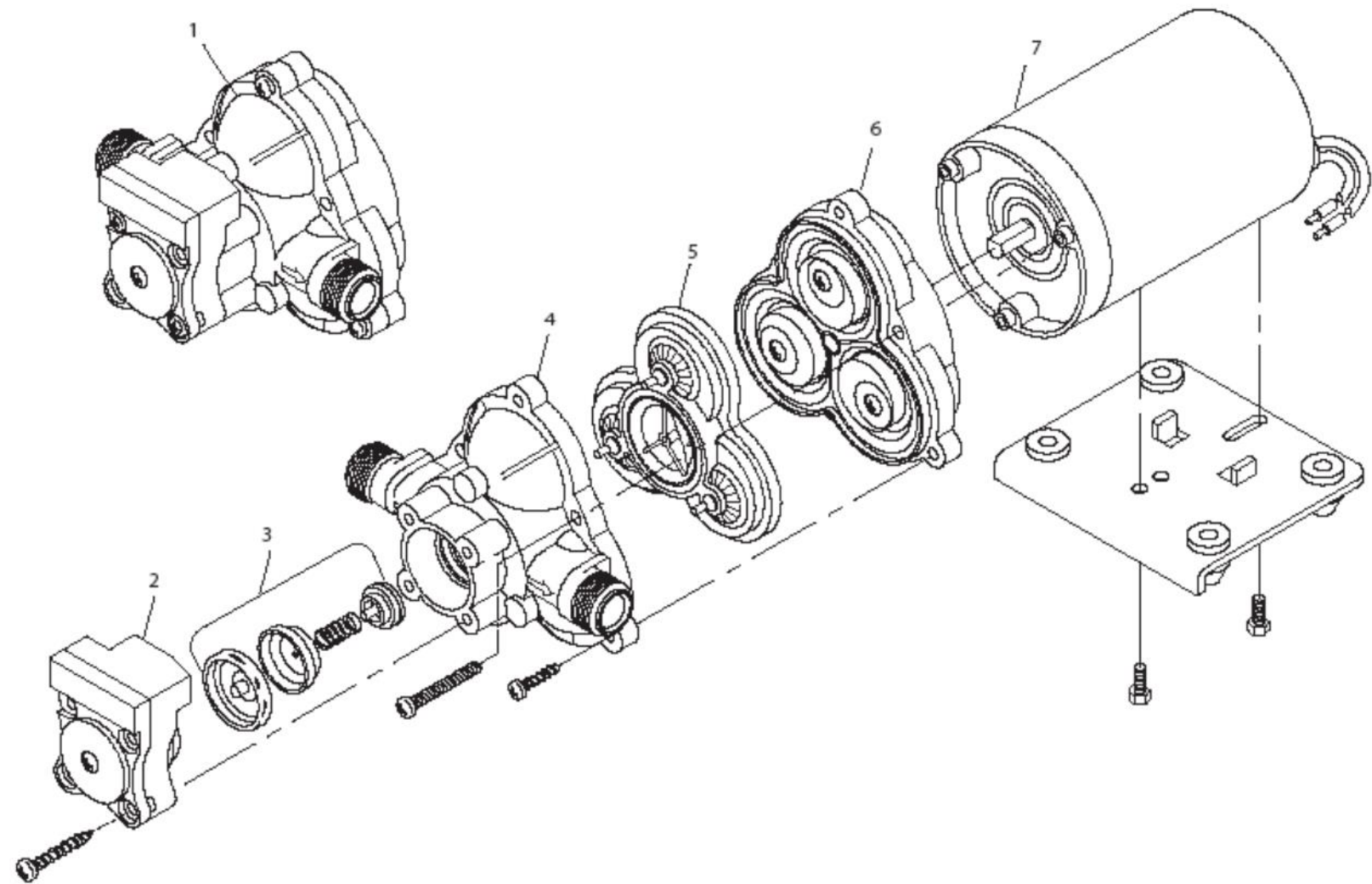




2088 Replacement Parts



Model #	1 Complete Pumphead Assembly	2 Switch Assembly	3 Check Valve Assembly	4 Upper Housing	5 Bypass/ Non Bypass Valve Assembly	6 Drive/ Impeller Diaphragm Assembly	7 Motor
2087-593-135	94-236-11	94-230-36	94-237-05	94-231-30	94-232-05	94-238-03	11-184-01
2088-313-145	94-236-15	94-230-55	94-237-05	94-231-30	94-232-05	94-238-03	11-185-06
2088-343-135	94-236-11	94-230-36	94-237-05	94-231-30	94-232-05	94-238-03	11-111-00
2088-343-170	N/A	N/A	N/A	94-231-40	94-232-05	94-238-03	11-184-04
2088-343-500	N/A	N/A	N/A	94-231-40	94-232-05	94-238-03	11-111-00
2088-344-500	N/A	N/A	N/A	94-238-00	94-232-05	94-238-03	11-111-00
2088-394-144	N/A	N/A	94-237-05	94-231-30	94-232-05	94-238-03	11-195-01
2088-394-154	94-236-11	94-230-36	94-237-05	94-231-30	94-232-05	94-238-03	11-150-10
2088-414-534	94-236-50	94-231-10	94-237-00	94-231-30	94-232-00	94-238-03	84-008-01
2088-443-144	94-236-20	94-230-35	94-237-00	94-231-30	94-232-00	94-238-03	11-111-00
2088-474-144	94-236-20	94-230-35	94-237-00	94-231-30	94-232-00	94-238-03	11-187-00
2088-483-124	94-236-20	94-230-35	94-237-00	94-231-30	94-232-00	94-238-03	11-179-00
2088-514-145	94-236-14	N/A	94-237-00	94-231-30	94-232-00	94-238-03	11-185-06
2088-514-500	N/A	N/A	N/A	94-238-00	94-232-00	94-238-03	11-226-07
2088-554-144	N/A	94-230-35	94-237-00	94-231-30	94-232-00	94-238-04	11-173-01
2088-564-144	94-236-20	94-230-35	94-237-00	94-231-30	94-232-00	94-238-03	11-160-10
2088-573-534	94-236-50	94-231-10	94-237-00	94-231-30	94-232-00	94-238-03	77-004-07
2088-592-144	N/A	94-230-35	94-237-00	94-231-30	94-232-00	94-238-02	11-160-00
2088-594-144	N/A	N/A	94-237-00	94-231-30	94-232-00	94-238-03	11-195-01
2088-594-154	94-236-21	94-230-35	94-237-00	94-231-30	94-232-00	94-238-03	11-150-10