

# TurfTracker™ TT-1101

## Assembly Instructions:

Read all directions before starting any assembly. Make sure all parts listed below are included. Scissors and a yard stick are required for assembly. If any parts are missing please contact Richway Industries at 800-553-2404. Operation will require 1 D cell battery, liquid dish soap, and water.

### Parts Shown in Figure 1:

- 1- Power Unit, 1 ea.
- 2- Tubing Mounts, 2 ea.
- 3- Tank Mounting Bracket, 1 ea.
- 4- Tank Mounting Hanger, 1 ea.
- 5- Tank 1 ea.
- 6- Tank Cap 1 ea.
- 7- Foam Tubing Tee, 1 ea.
- 8- Foam Tubing Elbows, 2 ea.

### Parts Not Shown in Figure 1:

- Thumb Screws, 2 ea.
- 1" Sections of Velcro, 2 ea.
- 6' Vinyl Foam Tubing, 1 ea.
- 3' Vinyl Air Tubing, 1 ea.
- Cable Ties, 5 ea.

#### 1. Attaching the Tank Mounting Bracket

Hang the tank mounting bracket in the center of the back of the spreader box when mounted, the tank should be in a perpendicular position. Secure bracket to spreader box using thumbscrews provided- tighten as required.

#### 2. Attaching the Tank Mounting Hanger

Slide the tank mounting hanger through the tank mounting bracket. Attach the tank and cap assembly by pinching inward and sliding into holes on cap.

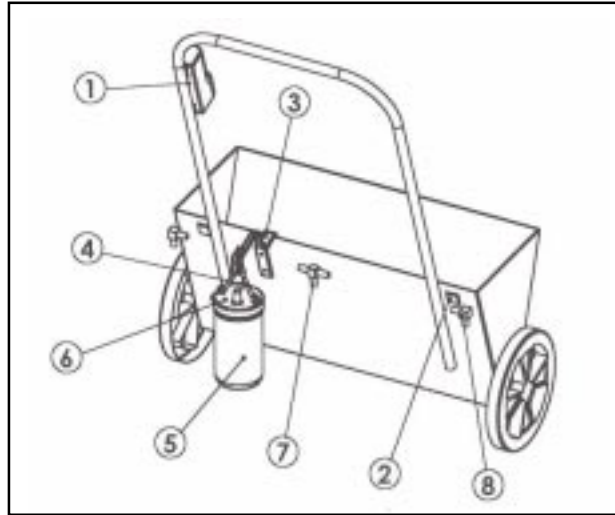
#### 3. Attaching the Power Unit

Install one D cell battery in your power unit. The recommended location of the power unit is on the vertical portion of the handle of the spreader. Clean this area well, making sure the area is free of dust and dirt. Use the 1" Velcro, attaching one piece of Velcro to the handle and the other to the back of the power unit on the raised tabs. Attach the power unit with the air outlet pointing down and battery compartment on top side of handle. Run cable ties through the tabs on the back of the power unit and tighten to handle.

#### 4. Installation of the Air Tubing

Connect the 3' section of air tubing from the air outlet on the tank cap to the power unit assembly. Once the length required is determined the excess tubing may be trimmed. Cable ties may be used to hold the air tubing in place along the spreader handle. *Caution: DO NOT tighten the cable ties too tightly as to restrict air flow.*

**FIGURE 1: Parts Diagram**



**For Broadcast Spreaders, Please Skip To Number 7.**

#### 5a. Building the Foam Tubing Assembly- Drop Spreaders

Determine the width of your spread pattern- sometimes marked on the spreader box. If this is not marked on your spreader use the inside width of the box as your guide. Once this is determined place the tubing mounts at these locations on the back and outside of the spreader box.

#### 5b. Building the Foam Tubing Assembly

Cut a piece from the 6' vinyl foam tubing to match the width you measured in step 5a. Cut that same piece in half. Connect these two pieces to the foam tubing tee. To each end of tubing connect a foam tubing elbow. Using cable ties secure each elbow to the spreader on the tubing mounts placed earlier.

#### 5c. Building the Foam Tubing Assembly

To determine the length required for the drop hoses measure 2" above the ground to the elbows. Cut two pieces this length and attach one to each elbow.

#### 6. Connecting Foam Tubing Assembly

Cut a piece of foam tubing a length that will connect from the foam tubing tee to the cap assembly on the tank. Do not twist tubing or flow will be restricted.

#### 7. Foam Tubing Assembly- Broadcast Spreaders

Cut a piece of foam tubing a length that will attach from the Tank Cap Assembly to the ground. See **Figure 2**. Use the Tubing Mounts and Cable Ties as needed to route from the cap to approximately two inches above the ground at the centerline of the spread pattern.

### TO USE YOUR NEW TURFTRACKER™ TT-1101 FOAM MARKING SYSTEM:

Your TurfTracker™ TT-1101 Foam Marking System is designed to operate with normal liquid dishwashing soap and distilled water, but conditions vary and can effect foam output. The operator may need to alter mix rates and products used to get the desired results.

#### 1. Add Distilled Water

Fill tank  $\frac{3}{4}$  full with distilled water. The manufacturer recommends using distilled water- use of any other water source may decrease performance of the unit. Overfilling the tank will initially decrease performance.

#### 2. Measure & Add Liquid Dishwashing Soap

Add 2-5 tsp. of liquid dishwashing soap to the water. It is recommended that you first mix 2 tsp. of soap and check the foam output of the unit. Increase soap concentration to get the desired foam output. Performance of the foam marking unit may vary with different kinds of dishwashing soap. If foam output is poor, try a different kind of soap. **This unit is designed for LIQUID dishwashing soap.**

#### 3. Shake Bottle

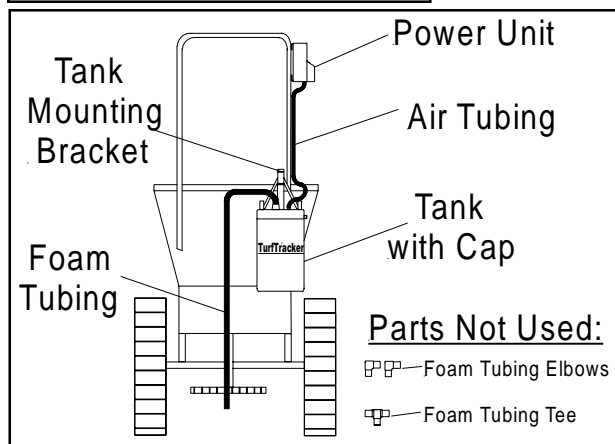
Replace the cap assembly onto the tank. Shake the bottle a few times and return assembly to the tank. Reattach the hoses.

#### 4. Run for 30 Seconds

Turn on the power unit and let run for 30 seconds until foam output is consistent. Begin fertilizing with your new foam marking system. Remember that the marker is marking the edge of your lawn treatment, not your wheel tracks.

**Instructions Continued on Back Panel**

**FIGURE 2: Broadcast Spreader  
Single-Drop Installation**



**WHAT TO EXPECT WITH YOUR TURFTRACKER:**

After about 30 seconds, your foam output should become more consistent, with a drop of foam coming out of each drop hose every 1-2 seconds. Foam output will become sporadic after approximately 15-20 minutes of continuous running. Once the foam solution level drops below 2" in the tank, stop and refill the container. Performance of the foam marking system will greatly decrease once the liquid level drops below 2" in the tank. Normally, the foam will stay on the ground from 10-30 minutes, depending on weather conditions. The foam shouldn't harm your lawn or plants, but it is advisable to first test the foam in an inconspicuous space to determine if your plants are susceptible to any adverse effects from the foam.

**CAUTION:**  
**DO NOT GET FOAM IN YOUR EYES.** See instructions produced by the brand of dish detergent used.

**MAINTENANCE AFTER EACH USE:**  
Fill the tank with hot water and run for approximately one minute. Thoroughly rinse the tank out with hot water. Remove battery. Make certain all components, especially the tubing, are dry before storing in freezing temperatures.

**TROUBLE-SHOOTING:**

- Inadequate Foam Output-**  
 \*\* Check Battery- Replace if necessary  
 \*\* Check Airline Connections- Make certain air is not leaking at the pump fitting and external and internal cap assembly fittings  
 \*\* Check Cap Assembly- Cap should be fitting tightly on bottle  
 \*\* Check Airline Tubing- Be sure that airline tubing is not plugged from the pump to the bottom of the foam generation tube  
 \*\* Check Foam Tubing- Make certain foam tubing is free of any obstructions  
 \*\* Use distilled water  
 \*\* Try another brand of liquid dishwashing soap  
 \*\* Increase the amount of liquid dishwashing soap used in each batch
- Runny Foam-**  
 \*\* Use less liquid dishwashing soap in each batch  
 \*\* Only fill tank 3/4 full
- Foam Going Into Air Pump or Airline from Pump or Above Tank-**  
 \*\* Replace check valve
- Takes Too Long to Produce Good Foam-**  
 \*\* Use less liquid dishwashing soap  
 \*\* Only fill tank 3/4 full

**Questions, Comments, Information**

Visit the TurfTracker™ website:  
[www.turftrackernow.com](http://www.turftrackernow.com)

**\*\* TurfTracker is a trademark of Richway Industries, Ltd.**

**\*\* Patent Pending**



**TurfTracker TT-1101  
Foam Marking System**

- Fits Most Spreaders Up to 30" Wide
- Easy Mounting
- Versatile Mounting Options
- 9-foot of Durable Vinyl Tubing
- Easy-Fill 1.0 Quart Container
- 20 Minute Run Time
- Uses Ordinary Liquid Dishwashing Soap
- Durable, Rust Proof Parts
- Made in U.S.A.
- Battery Not Included

Thank you for purchasing a Richway **TurfTracker™** foam marking system. Please read and follow all directions carefully to ensure proper mounting and use of the system and longevity of the product. With its rustproof parts, the **TurfTracker™** is designed to give you great results for many years to come.

**Assembly and Use Instructions Inside  
Save for Future Reference**