

### 9910-KIT1704

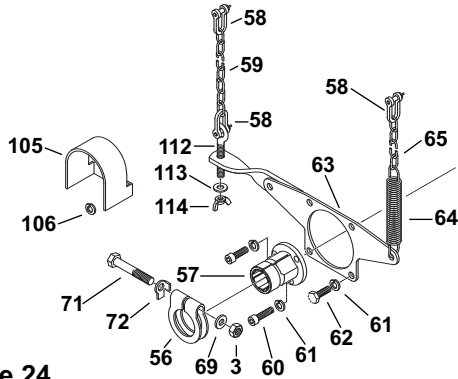


Figure 24

Ref. No.	Part Number	Description	Qty.
3	9910-320130	Nut	2
56	9910-500160	Clamp	1
57	9910-620270	Flanged Female Splined Shaft	1
58	9910-650340	Chain Clip	3
59	9910-650360	Chain (17.7" long)	1
60	9910-540300	M10 x 30 Socket Head Cap Screw	3
61	9910-200231	Lock Washer	7
62	9910-620340	M10 x 20 Hex Head Bolt	4
63	9910-650350	PTO Bracket	1
64	9910-650380	Torsion Spring	1
65	9910-650361	Chain (13" long)	1
71	9910-320170	M12 x 75 Bolt	1
72	9910-500171	Lock Retaining Washer	1
105	2840-0028	Steel Safety Shield (Std.)	1
106	2270-0004	Washer	2
112	9910-320630	Bolt	1
113	9910-320620	Washer	1
114	9910-320610	Wing Nut	1

### 9910-KIT2204

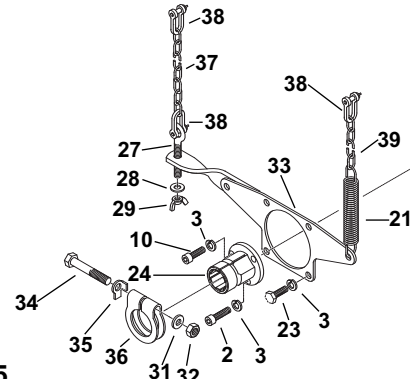


Figure 25

Ref. No.	Part Number	Description	Qty.
2	9910-160671	M10 x 25 Socket Head Cap Screw	3
3	9910-200231	Washer	10
10	9910-620470	M10 x 20 Socket Head Cap Screw	3
21	9910-650380	Spring	1
23	9910-620340	M10 x 20 Hex Head Bolt	4
24	9910-620270	Shaft	1
27	9910-320630	Tie Rod	1
28	9910-320620	Washer	1
29	9910-320610	M10 Wing Nut	1
31	9910-320131	Washer	1
32	9910-320130	M12 Nut	1
33	9910-650350	Pump Bracket	1
34	9910-320170	M12 x 75 Hex Head Bolt	1
35	9910-500171	Washer	1
36	9910-500160	Clamp	1
37	9910-320640	Chain 17.7" long	1
38	9910-650340	Chain Hook	3
39	9910-320641	Chain 12.6" long	1

### 9910-HYD5312

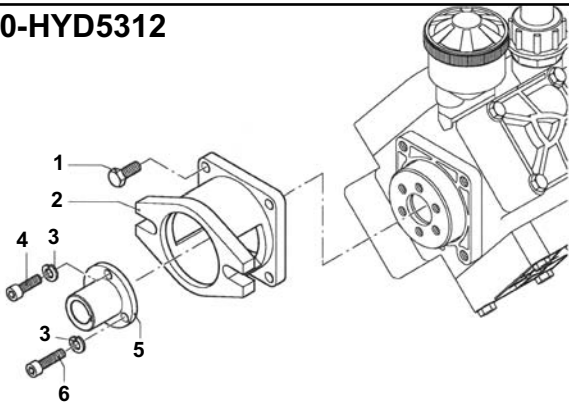


Figure 25.5

Ref. No.	Part Number	Description	Qty.
1	9910-160670	M10 x 25 Hex Bolt	4
2	9910-6211	Flange	1
3	9910-200231	Lockwasher	3
4	9910-620470	M10 x 20 Bolt	3
5	9910-6682	Coupling	1
6	9910-160671	M10 x 25 Bolt	3