

Parts Illustrations for Models 9910-D115, 9910-D115GR34 and 9910-D135

Figure 8. Parts Illustrations for Model 9910-D115 and 9910-D135

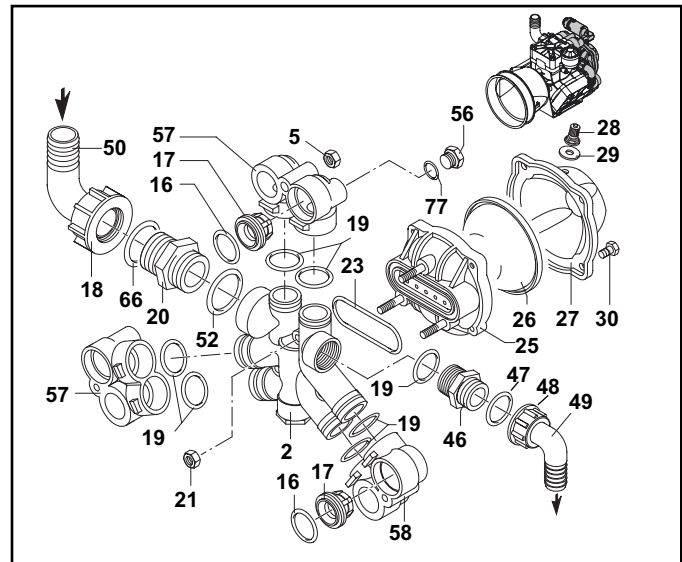
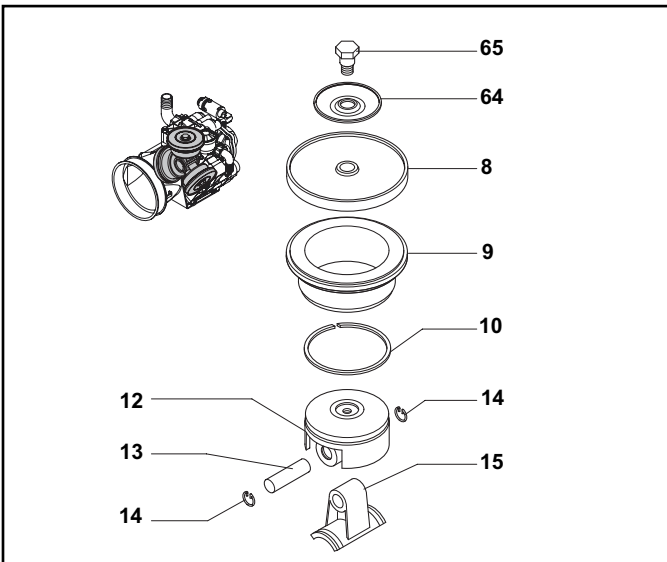
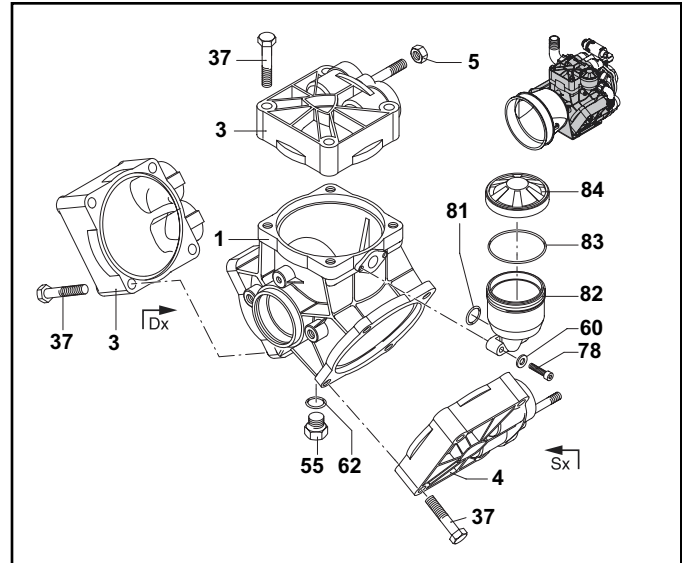
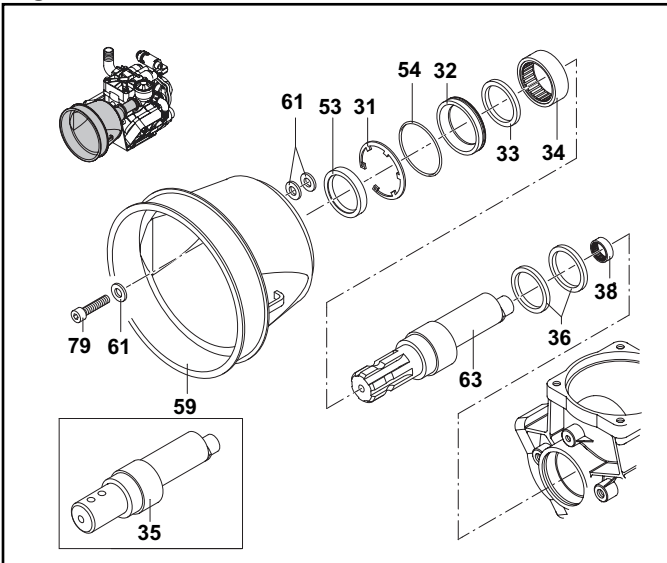
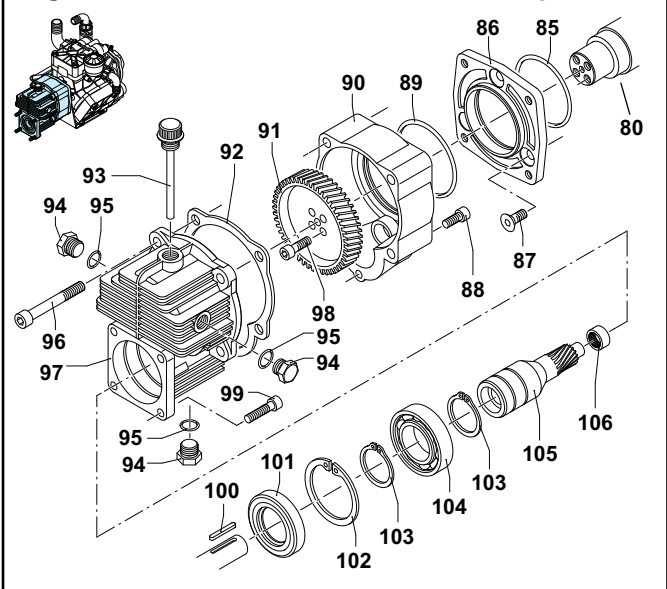


Figure 9. 9910-D115GR34 Gear Box Components



Torques for D115GR3/4 Gearbox Components

Ref. No.	Description	Tightening Torque	
		In. Lbs.	Nm
87	Bolt	175	19.8
94	Plug	90	10.2
96	Bolt	220	24.9
99	Bolt	220	24.9
88	Bolt	90	10.2
98	Bolt	220	24.9

Parts List for Models 9910-D115, 9910-D115GR34 and 9910-D135

REF. NO.	PART NUMBER	DESCRIPTION	QTY. REQ'D
1	9910-580013	Pump body with bolts	1
2	9910-580150	Manifold	1
3	9910-550101	DX Right head	2
4	9910-550102	SX Left head	1
5	9910-180152	Nut	3
8	9910-550080	Diaphragm (Buna) Optional	3
8	9910-550085	Diaphragm (Desmopan) Standard	3
9	9910-580110	Sleeve (D115)	3
9	9910-580350	Sleeve (D135)	3
10	9910-500260	Piston ring	3
12	9910-580120	Piston	3
13	9910-380300	Pin	3
14	9910-380080	Pin ring	6
15	9910-580140	Connecting rod	3
16	9910-320030	O-ring	6
17	9910-759051	Complete valve	6
18	9910-540541	Ring nut	1
19	9910-390291	O-ring	7
20	9910-540530	Threaded adapter	1
21	9910-390271	Nut	3
23	9910-580050	Gasket	1
25	9910-580180	Accumulator manifold	1
26	9910-550190	Accumulator diaphragm	1
27	9910-559204	Accumulator head	1
28	9910-550300	Air valve	1
29	9910-650542	O-ring	1
30	9910-550680	M8 x 20 Bolt	4
31	9910-200391	Retainer ring	1
32	9910-550470	Gasket retainer	1
33	9910-550070	Spacer ring	1
34	9910-550060	Roller bearing	1
35	9910-550170	Shaft (D115)	1
36	9910-580470	Connecting rod ring	2
37	9910-551040	M10 x 55 Bolt	12
38	9910-550310	Roller bushing	1
46	9910-550340	Threaded adapter	1
47	9910-550350	O-ring	1
48	9910-550242	Ring nut	1
49	9910-550370	Elbow 1"	1
50	9910-540550	Elbow 1-1/2"	1
52	9910-250310	O-ring	1
53	9910-550491	Seal ring	1
54	9910-650920	O-ring	1
55	2406-0023	Oil drain plug	1
56	9910-330173	Plug	1
57	9910-589200	DX Right valve retainer w/plug/o-ring	2
58	9910-580072	SX Left valve retainer	1
59	9910-1500350	Shield	1
60	9910-550332	Washer	2
61	9910-320621	Washer	5
62	9910-740290	O-ring	1
63	9910-580330	Shaft (D135)	1
64	9910-580370	Plate	3
65	9910-580360	Diaphragm bolt	3
66	9910-250310	O-ring	1
69	9910-200233	Washer	2
77	9910-180101	O-ring	1
78	9910-850851	M6 x 30 Bolt	2
79	9910-620472	M10 x 20 Bolt	3
80	9910-550175	Shaft	1
81	9910-390180	O-ring	1
82	9910-1040310	Oil sight glass	1
83	9910-650920	O-ring	1
84	9910-1040322	Black oil tank cap	1
85	9910-580230	O-ring	1

REF. NO.	PART NUMBER	DESCRIPTION	QTY. REQ'D
86	9910-550920	Flange	1
87	9910-550950	M10 x 25 Bolt	3
88	9910-180030	Bolt	1
89	9910-620561	O-ring	1
90	9910-621000	Gear cap	1
91	9910-550930	Gear	1
92	9910-620950	Gasket	1
93	9910-1140370	Oil plug & O-ring	1
94	9910-1980740	Plug	3
95	9910-740290	O-ring	3
96	9910-621010	Bolt	4
97	9910-620960	Gear box	1
98	9910-540290	M8 x 25 Bolt	4
99	9910-651000	Bolt	4
100	9910-881090	Key	1
101	9910-961800	Seal ring	1
102	9910-961790	Circlip	1
103	9910-320240	Circlip	2
104	9910-961780	Bearing	1
105	9910-621660	Pinion	1
106	9910-620990	Bearing	1

NOTE: When ordering parts, give QUANTITY, PART NUMBER, DESCRIPTION, and COMPLETE PUMP MODEL NUMBER. Reference numbers are used ONLY to identify parts in the drawing and are NOT to be used as order numbers.

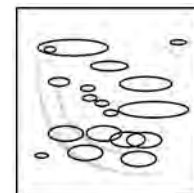
Ref. No.	Description	Tightening Torque	
		In. Lbs.	Nm
5	Nut	350	39.2
21	Nut	175	19.8
30	Bolt	175	19.8
37	Bolt	350	39.2
55	Plug	175	19.8
65	Diaphragm Bolt	265	29.9
78	Bolt	90	10.2
79	Bolt	350	39.2



9910-KIT1721 Diaphragm Kit Desmopan	
REF. NO.	QTY.
8	3
16	6
26	1



9910-KIT2370 Valve Kit	
REF. NO.	QTY.
16	6
17	6



9910-KIT2026 O-Ring Kit	
REF. NO.	QTY.
16	6
19	7
29	1
47	1
52	1
54	1
62	1
66	1
81	1
83	1