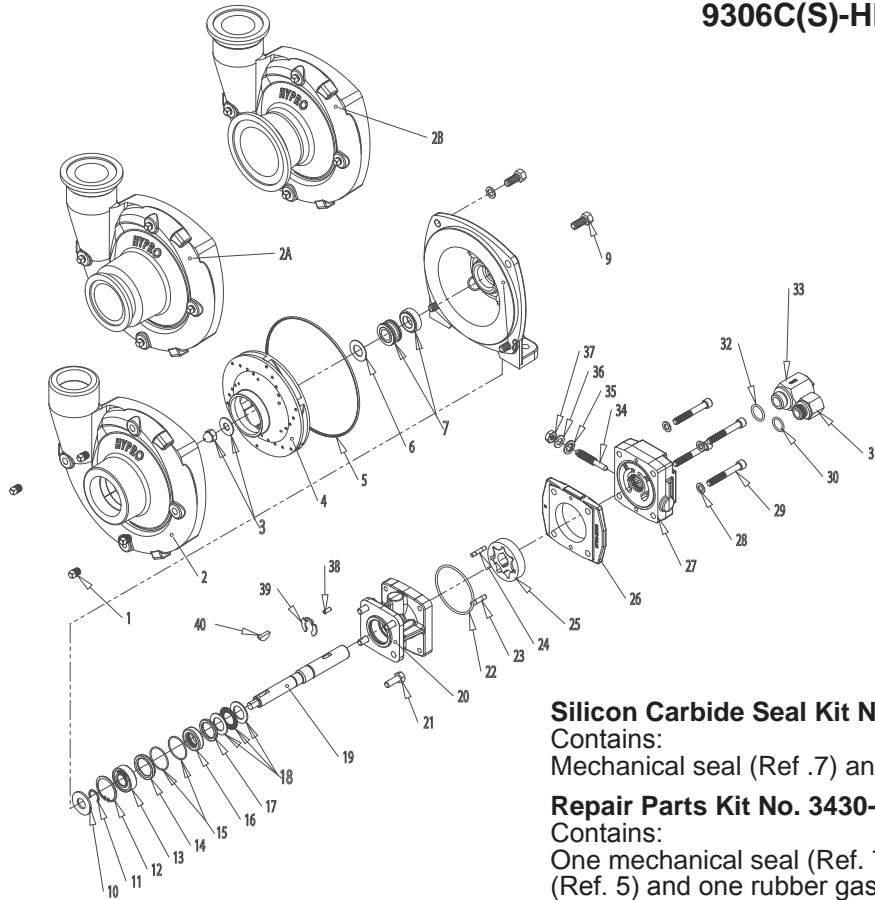


# Replacement Parts

The following drawings show the pumps and their replacement parts. **Only genuine replacement parts should be used. Failure to follow this warning can result in damage to property, serious injury or death.** If the pump malfunctions or is defective, it should be sent back to Hypro for service.

## 9306C(S)-HM1, 3, 5C and 9306C(S)-HM1, 3, 5C-3U



**NOTE:** When ordering parts, give QUANTITY, PART NUMBER, DESCRIPTION, and COMPLETE MODEL NUMBER. Reference number are used ONLY to identify part in the drawing and are NOT to be used as order numbers.

**Parts Kit No. 3430-0748**  
 Contains: One each ball bearing (Ref. 13), motor shaft seal (Ref. 16), thread seal gasket (Ref. 35), two cartridge o-rings (Ref.15), and washer (Ref 36); two each motor housing o-rings (Ref. 22), and port adapter o-rings (Ref. 30 & 32).

**Silicon Carbide Seal Kit No. 3430-0589**  
 Contains:  
 Mechanical seal (Ref .7) and o-ring (Ref. 5).

**Repair Parts Kit No. 3430-0332**  
 Contains:  
 One mechanical seal (Ref. 7), one o-ring (Ref. 5) and one rubber gasket (Ref. 6).

**Hydraulic Motor Part Nos.**  
 2500-0081C (HM1C Models)  
 2500-0083C (HM3C Models)  
 2500-0085C (HM5C Models)

Ref. No.	Qty. Req'd.	Part No.	Description	Ref. No.	Qty. Req'd.	Part No.	Description
1	4	2406-0007	Drain/Vent Plug (9306C)	20	1	0150-2500C	Motor Body (includes needle bearing)
1	1	2406-0016	Drain/Vent Plug (9306S)	21	4	2210-0005	Hex Head Cap Screw
2	4	0154-9200C1	Pump Casing (9306C)	22	2	3430-0748	O-ring
2	1	0154-9200S1	Pump Casing (9306S)	23	1	1600-0044	Dowel Pin (HM1C/HM5C)
2A	1	0157-9200C	Pump Casing (Universal Flange 220x200)	23	1	1600-0052	Dowel Pin (HM3C)
2B	1	0158-9200C	Pump Casing (Universal Flange 300x220 Cast)	24	1	1600-0037	Dowel Pin (HM1C/HM5C)
2B	1	0158-9200S	Pump Casing (Universal Flange 300x220 S.S.)	24	1	1600-0068	Dowel Pin (HM3C)
3	1	2253-0002	Impeller Nut (9306C)	25	1	3900-0022	Gerotor (HM1C)
3	1	2253-0006	Impeller Nut (9306S)	25	1	3900-0024	Gerotor (HM3C)
4	1	0401-9200P2	Impeller (Nylon Std. 9306C)	25	1	3900-0048	Gerotor (HM5C)
4	1	0405-9100P2	Impeller (Polypropylene Optional) (Std. 9306S)	26	1	0700-2500C1	Gerotor Housing (HM1C Models) 1/2" wide
4	1	0407-9306P	Impeller (GTX Optional)	26	1	0702-2500C1	Gerotor Housing (HM3C Models) 1" wide
5	1	3430-0332	O-ring	26	1	0704-2500C1	Gerotor Housing (HM5C Models) 5/8" wide
6	1	3430-0332	Gasket	27	1	0254-2500C2	Motor End Plate (includes needle bearing)
7	1	2120-0009	Mechanical Seal (Viton/Ceramic) (Std. 9306C)	28	4	2270-0039	Washer
7	1	3430-0589	Mechanical Seal (Silicon Carbide) (Std. 9306S)	29	4	2220-0021	Cap Screw (HM1C Models)
8	1	0750-9300C2	Mounting Flange (9306C)	29	4	2220-0044	Cap Screw (HM3C Models)
8	1	0756-9300S	Mounting Flange (9306S)	29	4	2220-0032	Cap Screw (HM5C Models)
9	4	2210-0020	Hex Head Cap Screw (9306C)	30	1	3430-0748	O-ring
9	4	2210-0125	Hex Head Cap Screw (9306S)	31	1	3360-0021A	Pressure Port Adapter (includes o-ring)
10	1	1410-0056	Slinger Ring	32	1	1720-0262	O-ring
11	1	1810-0014	Snap Ring	33	1	3320-0051A	Tank Port Adapter (includes o-ring)
12	1	1820-0013	Retaining Ring	34	1	3220-0029	Bypass Adjusting Screw
13	1	3430-0748	Ball Bearing	35	1	3430-0748	Gasket
14	1	1410-0131	Cartridge, Front	36	1	3430-0748	Washer
15	2	1720-0286	O-ring	37	1	2250-0038	Lock Nut
16	1	3430-0748	Lip Seal	38	1	1610-0031	Roll Pin (HM1C/HM5C)
17	1	1410-0130	Seal Spacer	38	1	1610-0055	Roll Pin (HM3C)
18	1	2029-0014	Thrust Bearing Assembly	39	1	1810-0026	Snap Ring
19	1	3430-0852	Shaft (HM1C/HM5C)	40	1	1610-0012	Woodruff Key (9306C)
19	1	3430-0855	Shaft (HM3C)	40	1	04432	Woodruff Key (9306S)