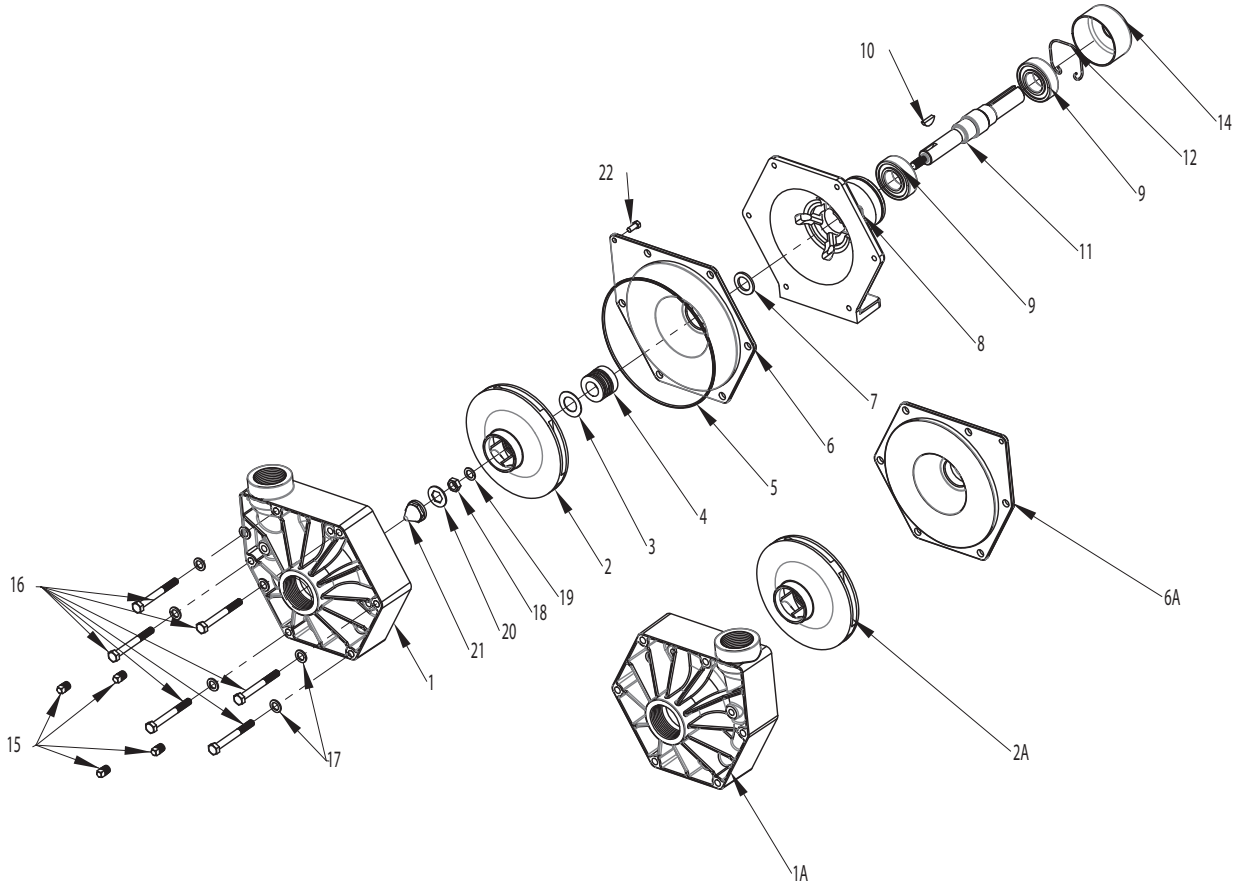


## Replacement Parts

The following drawings show the pumps and their replacement parts. **Only genuine replacement parts should be used, failure to follow this warning can result in damage to property, serious injury or death.** If the pump malfunctions or is defective it should be sent back to Hypro for service.

### 9203P-S, 9203P-SR, 9203P-SR-B, 9213P



**Seal Kit for Stainless Series:**

No. 3430-0333 consists of:

- (1) Ref. 3 Gasket
- (1) Ref. 4 Mechanical Seal
- (1) Ref. 5 O-Ring
- (1) Ref. 19 Washer
- (1) Ref. 20 Gasket

**Silicon Carbide Seal Kit**

No. 3430-0590 consists of:

- (1) Ref. 4 Mechanical Seal
- (1) Ref. 5 O-Ring
- (1) Ref. 19 Washer
- (1) Ref. 20 Gasket

**NOTE:** When ordering parts, give

QUANTITY, PART NUMBER, DESCRIPTION, and COMPLETE MODEL NUMBER. Reference numbers are used ONLY to identify part in the drawing and are NOT to be used as order numbers.

Ref. No.	Qty. Req'd.	Part No.	Description
1	1	0700-9000P	Pump Casting (9203P-S)
1A	1	0701-9500P	Pump (Casting) Reverse
2	1	0403-9000P	Impeller (9203P-S)
2A	1	0402-9000P	Impeller (9203P-S)-R
3	1	1700-0101	Gasket
4	1	3430-0333	Mechanical Seal
4A	1	3430-0590	Mechanical Seal
5	1	1721-0083	O-Ring
6	1	0750-9000P	Back Cover (9203P-S)
6A	1	0700-9500P	Back Cover Reverse
7	1	1410-0083	Slinger Ring
8	1	0702-9200C	Flange
9	2	2008-0001	Bearing

Ref. No.	Qty. Req'd.	Part No.	Description
10	1	04432	Woodruff Key (Stainless Steel)
11	1	3430-0846	Shaft (316 Stainless Steel)
12	1	2120-0009	Retaining ring
13	1	2120-0039	Key
14	1	2300-0034	Plastic Cap
15	4	2406-0016	Plug
16	6	2210-0087	Hex Head Bolt
17	6	2270-0041	Washer
18	1	2250-0051	Jam Nut
19	1	2270-0057	Washer
20	1	1700-0097	Gasket
21	1	2250-0052	Impeller Nut
22	1	2210-0088	Screw