

# Model 9910-GR40 Control Unit

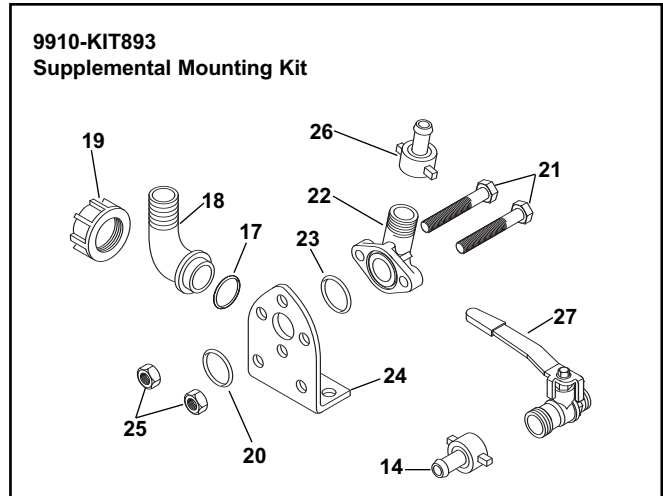
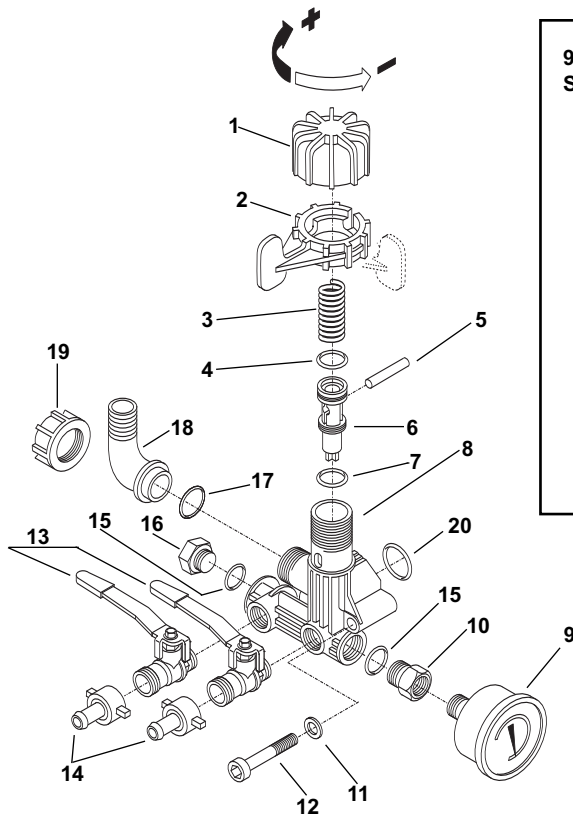


Figure 15

## 9910-GR40

| Ref. No.        | Part Number  | Description     | Qty. |
|-----------------|--------------|-----------------|------|
| 1               | 9910-1880220 | Adjustment Knob | 1    |
| 2               | 9910-1880210 | Ring Nut        | 1    |
| 3               | 9910-1880271 | Spring          | 1    |
| 4               | 9910-480440  | O-Ring          | 1    |
| 5               | 9910-1880240 | Pin             | 1    |
| 6               | 9910-1880230 | Jet             | 1    |
| 7               | 9910-1880260 | O-Ring          | 1    |
| 8               | 9910-1880200 | Valve Body      | 1    |
| 9               | 9910-1880290 | Pressure Gauge  | 1    |
| 10              | 9910-1880250 | Pipe Reducer    | 1    |
| 11              | 9910-390311  | Washer          | 2    |
| 12              | 9910-680360  | M8 x 50 Bolt    | 2    |
| 13              | 9910-130491  | Ball Valve      | 2    |
| 14 <sup>1</sup> | 9910-110131  | Hose Fitting    | 2    |
| 15              | 9910-740290  | O-Ring          | 2    |
| 16              | 9910-130171  | Plug            | 4    |
| 17 <sup>1</sup> | 9910-880830  | O-Ring          | 1    |
| 18 <sup>1</sup> | 9910-550460  | Elbow           | 1    |
| 19 <sup>1</sup> | 9910-550450  | Ring Nut        | 1    |
| 20 <sup>1</sup> | 9919-1140450 | O-Ring          | 1    |

## 9910-KIT893

| Ref. No.        | Part Number  | Description  | Qty. |
|-----------------|--------------|--------------|------|
| 14 <sup>1</sup> | 9910-110131  | Hose Fitting | 2    |
| 17 <sup>1</sup> | 9910-880830  | O-Ring       | 1    |
| 18 <sup>1</sup> | 9910-550460  | Elbow        | 1    |
| 19 <sup>1</sup> | 9910-550450  | Ring Nut     | 1    |
| 20 <sup>1</sup> | 9919-1140450 | O-Ring       | 1    |
| 21 <sup>1</sup> | 9910-1880310 | Bolt         | 2    |
| 22 <sup>1</sup> | 9910-450145  | Flange       | 1    |
| 23 <sup>1</sup> | 9910-550350  | O-Ring       | 1    |
| 24 <sup>1</sup> | 9910-320406  | Bracket      | 1    |
| 25 <sup>1</sup> | 9910-390270  | Nut          | 2    |
| 26              | 9910-110130  | Hose Fitting | 1    |
| 27              | 9910-130491  | Ball Valve   | 1    |

| 9910-KIT2488<br>Valve Repair Kit |      |
|----------------------------------|------|
| Ref. No.                         | Qty. |
| 3                                | 1    |
| 4                                | 1    |
| 5                                | 1    |
| 6                                | 1    |
| 7                                | 1    |

<sup>1</sup> Denotes 9910-KIT893 Items

| Ref. No. | Description | Tightening Torque |     |
|----------|-------------|-------------------|-----|
|          |             | In. Lbs.          | Nm  |
| 12       | Bolt        | 87.5              | 9.8 |
| 16       | Plug        | 87.5              | 9.8 |