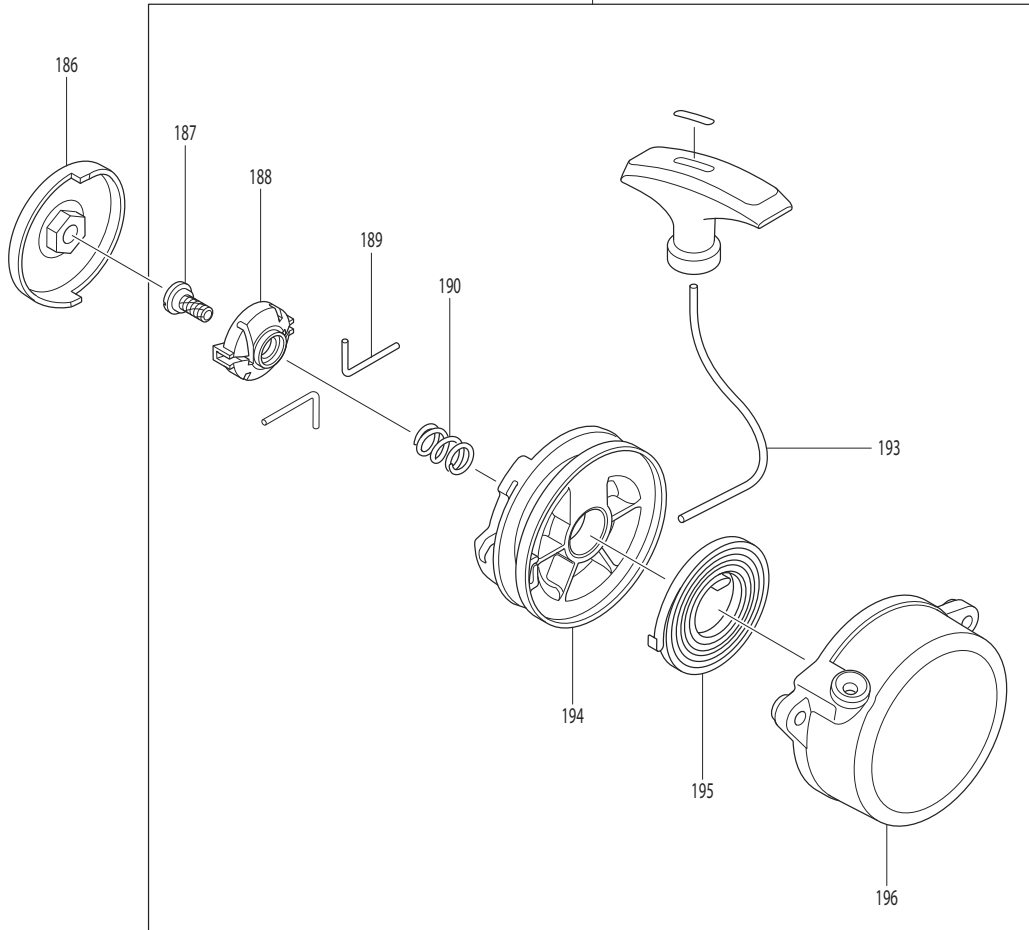
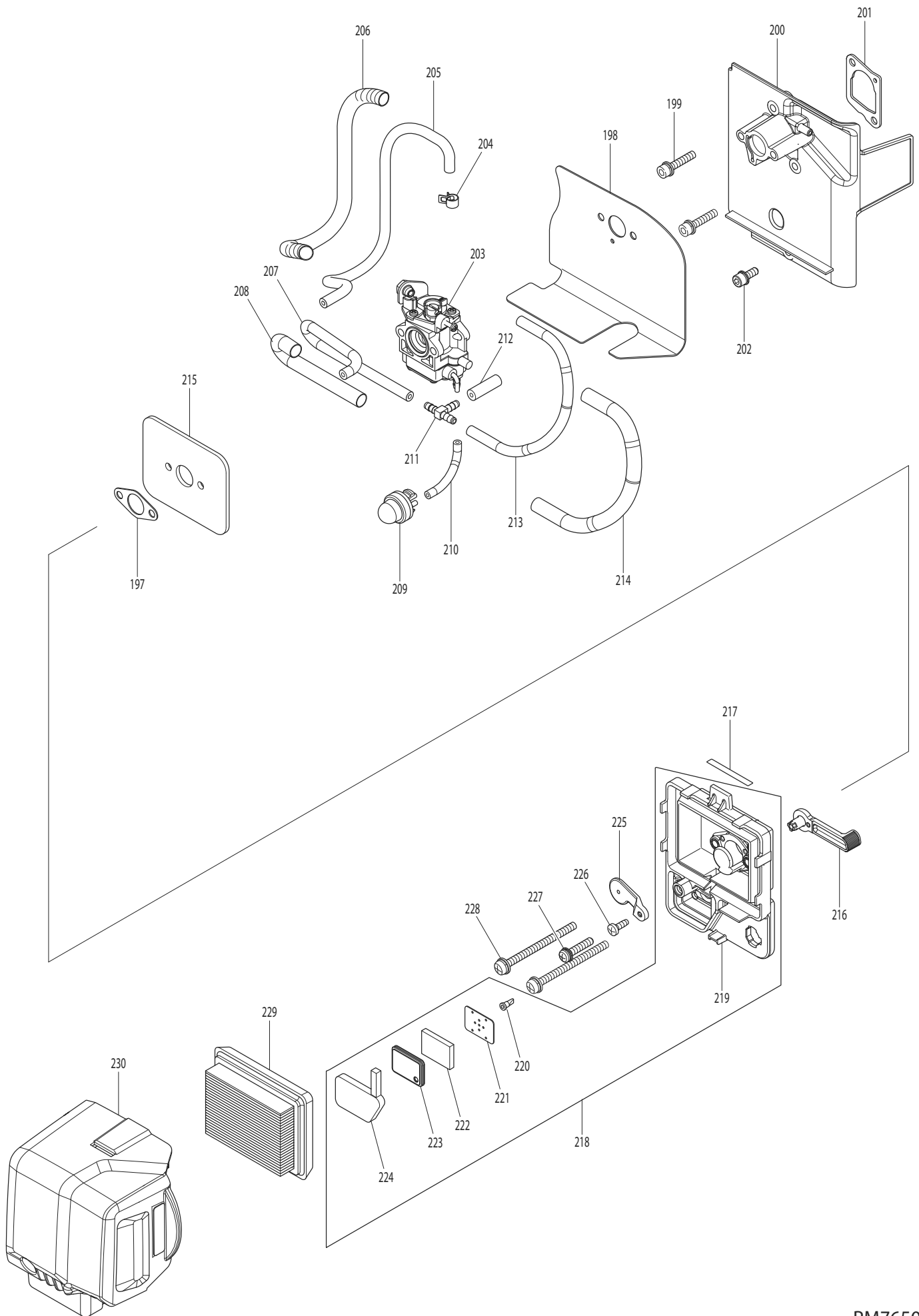
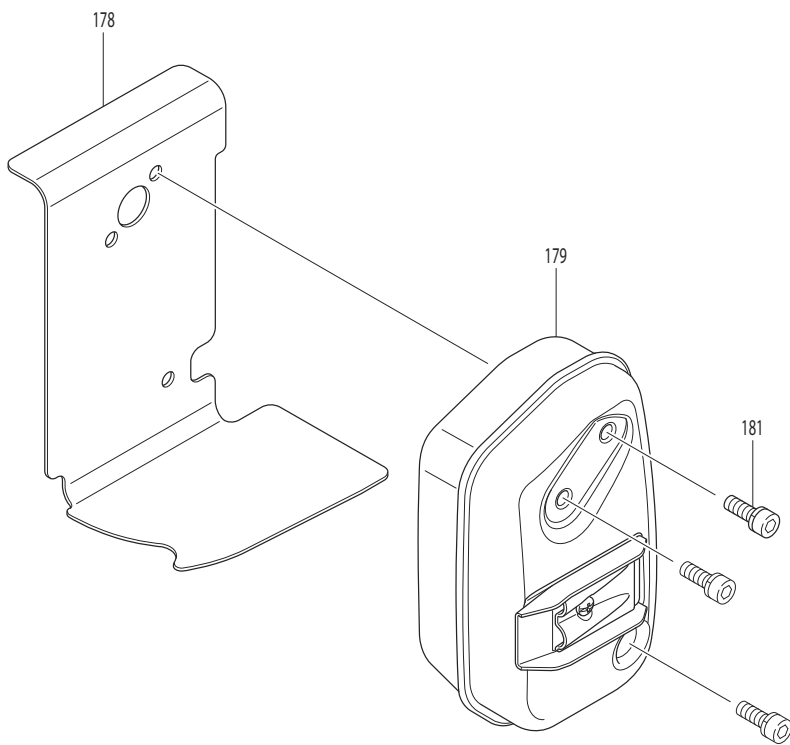
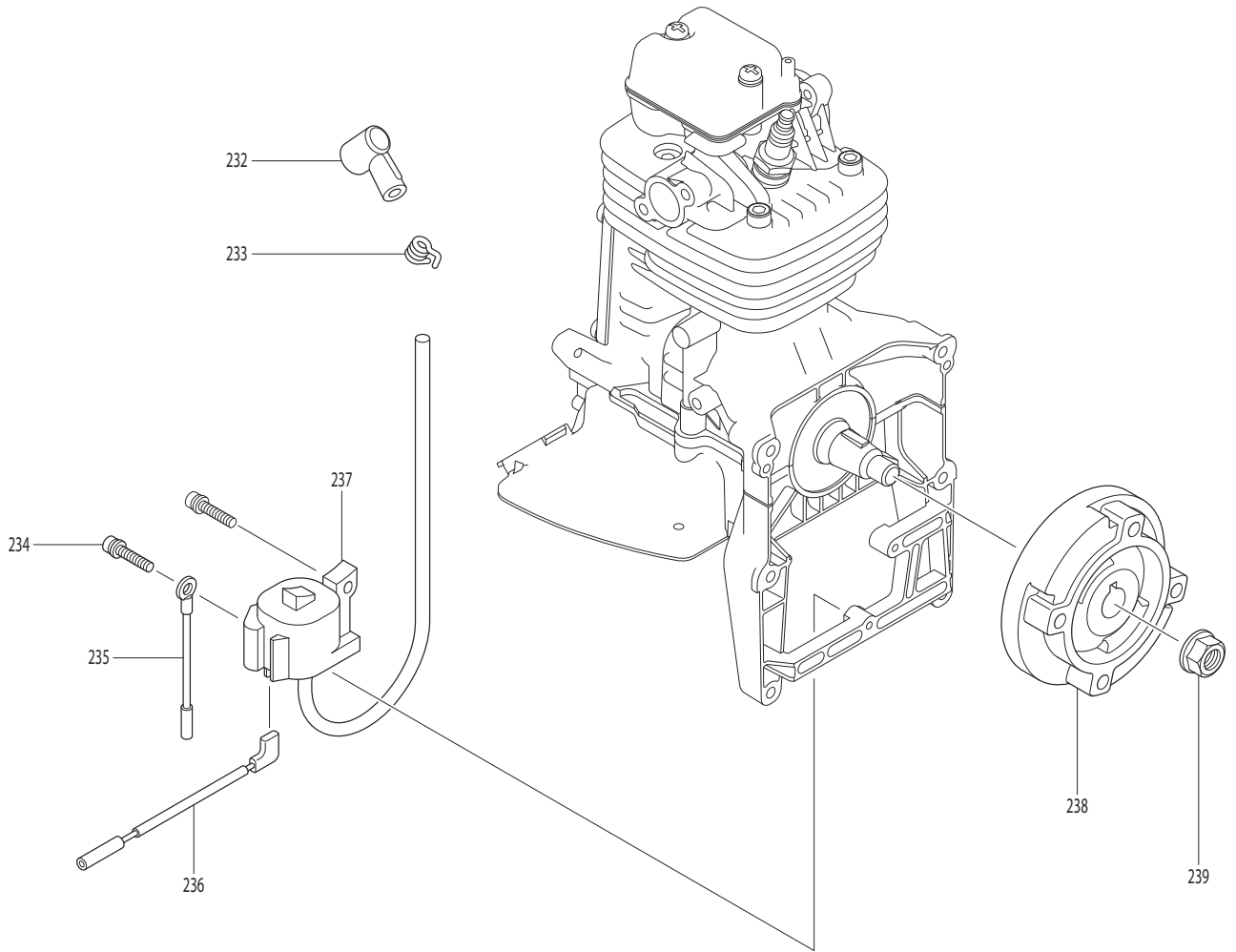


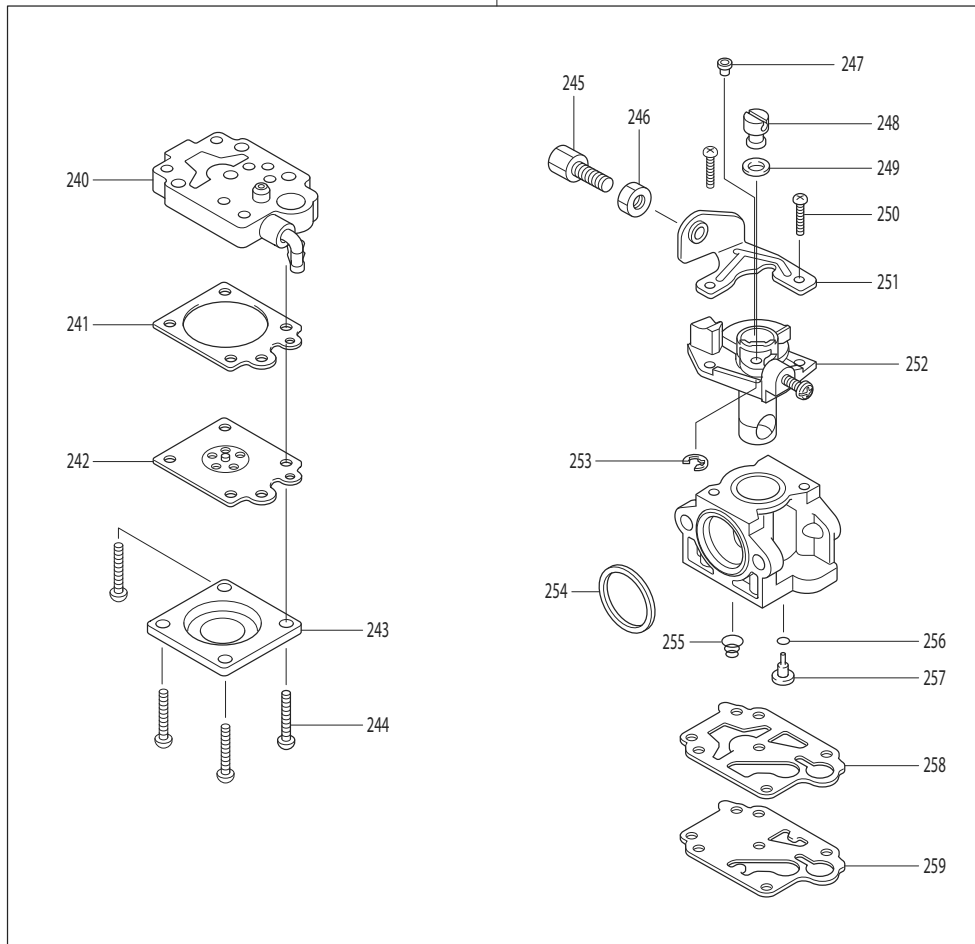
46







203



Item No.	Type	Sub	Part No.	Description	Qty	Unit
001			282023-2	HOSE CLAMP 14	1	PC.
002			412108-2	TUBE 10-300	1	PC.
003			282023-2	HOSE CLAMP 14	1	PC.
004			453505-3	NOZZLE CAP	1	PC.
005			213686-3	O-RING 12	1	PC.
006			268288-0	PIN 5.5	1	PC.
007			234244-2	COMPRESSION SPRING 3	1	PC.
008			266007-8	TAPPING SCREW BIND PT 3X10	1	PC.
009			326198-8	NOZZLE 4.5	1	PC.
010			453599-8	SLEEVE 25	1	PC.
011			213437-4	O RING 28	1	PC.
012			453986-1	TOP ADAPTER	1	PC.
013			266045-0	TAPPING SCREW 4X20	1	PC.
014			911228-4	PAN HEAD SCREW M5X18	1	PC.
015			141921-8	NOZZLE ADAPTER COMPLETE	1	PC.
016			213645-7	O RING 93	1	PC.
017			412116-3	ELBOW	1	PC.
018			453714-4	WIRE BAND	1	PC.
019			168746-5	SWIVEL PIPE COMPLETE	1	PC.
020			198218-6	CONTROL LEVER SET	1	PC.
		INC.		Item No. 117-129		
024			123981-2	COCK ASSEMBLY	1	PC.
		INC.	455656-8	COCK BODY	1	PC.
		INC.	213647-3	O-RING 9	1	PC.
		INC.	457674-2	COCK	1	PC.
		INC.	457675-0	COCK LEVER	1	PC.
		INC.	266326-2	TAPPING SCREW 4X18	1	PC.
032			282023-2	HOSE CLAMP 14	1	PC.
035			412110-5	TUBE 10-750	1	PC.
036			282023-2	HOSE CLAMP 14	1	PC.
037			453616-4	CAP HOSE	1	PC.
038			424760-4	BLIND PACKING	1	PC.
039			453559-0	JOINT STRAINER	1	PC.
040			266420-0	TAPPING SCREW 5X20	4	PC.
041			450964-2	PLUG COVER	1	PC.
042			424504-2	OIL GUARD	1	PC.
043			897623-1	SERIAL NO. LABEL	1	PC.
044			898348-0	PM7650H MODEL NO. LABEL	1	PC.
045			911233-1	PAN HEAD SCREW M5X20	3	PC.
046			126165-1	RECOIL	1	PC.
		INC.		Item No. 187-190,193-196,261,262		
047			141521-4	ENGINE COVER COMPLETE	1	PC.
		INC.	898343-0	CAUTION LABEL	1	PC.
		INC.	443193-4	INSULATION LABEL D	1	PC.
049			931202-6	HEX. NUT M5	2	PC.
050			453558-2	VOLUTE CASE 2	1	PC.
051			318891-8	BASE R	1	PC.
052			922353-6	HEX.SOCKET HEAD BOLT M6X30	3	PC.
053			240138-1	IMPELLER	1	PC.
054			318890-0	BASE L	1	PC.
055			922353-6	HEX.SOCKET HEAD BOLT M6X30	3	PC.
056			266828-8	H.S.H.BOLT M6X40 WITH WR	4	PC.
057			454669-6	VOLUTE CASE 1	1	PC.
058			266420-0	TAPPING SCREW 5X20	9	PC.
059			911288-6	PAN HEAD SCREW M5X65	2	PC.
060			453561-3	TANK HOLDER	2	PC.
061			234247-6	COMPRESSION SPRING 20	2	PC.

Item No.	Type	Sub	Part No.	Description	Qty	Unit
062			453561-3	TANK HOLDER	2	PC.
063			266420-0	TAPPING SCREW 5X20	3	PC.
064			454670-1	FAN GUARD	1	PC.
065			141764-8	TANK CAP COMPLETE	1	PC.
067			455784-9	TANK STRAINER	1	PC.
068			961011-9	STOP RING E-4	4	PC.
069			161510-3	BAND R	1	PC.
070			161509-8	BAND L	1	PC.
071			911353-1	PAN HEAD SCREW M6X30	2	PC.
072			253804-1	FLAT WASHER 6	2	PC.
073			911213-7	PAN HEAD SCREW M5X12	5	PC.
074			161566-6	CUSHION	1	PC.
075			911353-1	PAN HEAD SCREW M6X30	4	PC.
076			424760-4	BLIND PACKING	1	PC.
077			453615-6	CAP	1	PC.
078			266767-2	PAN HEAD SCREW M5X12	2	PC.
079			453496-8	MIXING BODY LOWER	1	PC.
080			424492-3	CHECK VALVE	1	PC.
081			267462-7	FLAT WASHER 10	1	PC.
082			453495-0	MIXING BODY UPPER	1	PC.
083			282023-2	HOSE CLAMP 14	1	PC.
084			412109-0	TUBE 10-500	1	PC.
085			282023-2	HOSE CLAMP 14	1	PC.
086			143247-4	TANK COMPLETE	1	PC.
		INC.	898345-6	CATUION LABEL	1	PC.
087			424503-4	GROMMET	1	PC.
088			454683-2	JOINT 1	1	PC.
089			282023-2	HOSE CLAMP 14	1	PC.
090			253874-0	FLAT WASHER 4	1	PC.
091			265995-6	TAPPING SCREW 4X18	1	PC.
092			453498-4	PRESSURE PIPE	1	PC.
093			282023-2	HOSE CLAMP 14	1	PC.
094			412108-2	TUBE 10-300	1	PC.
095			165686-8	FRAME COMPLETE	1	PC.
096			911148-2	PAN HEAD SCREW M4X25	2	PC.
097			163532-9	FILTER	1	PC.
098			345920-4	HOSE CLAMP	1	PC.
099			126444-7	TUBE ASSEMBLY	1	PC.
100			412119-7	TUBE GUARD 20-160	1	PC.
101			125472-9	FUEL TANK CAP ASSEMBLY	1	PC.
102			810455-9	CAUTION PLATE	1	PC.
103			123423-6	FUEL TANK ASSEMBLY	1	PC.
		INC.		Item No. 99-101		
104			911148-2	PAN HEAD SCREW M4X25	2	PC.
105			453499-2	FRAME HOLDER	2	PC.
106			234246-8	COMPRESSION SPRING 17	2	PC.
107			453560-5	LOWER FRAME HOLDER	2	PC.
108			911333-7	PAN HEAD SCREW M6X20	2	PC.
109			911148-2	PAN HEAD SCREW M4X25	2	PC.
110			911313-3	PAN HEAD SCREW M6X12 WITH WR	3	PC.
111			454684-0	GUARD	1	PC.
117			922317-0	HEX. SOCKET HEAD BOLT M6X14	1	PC.
118			267841-9	WAVE WASHER 7	1	PC.
119			267459-6	FLAT WASHER 7	1	PC.
120			453717-8	LEVER 2 THROTTLE	1	PC.
121			931302-2	HEX. NUT M6	1	PC.
122			453716-0	LEVER 1 THROTTLE	1	PC.
123			233602-9	TORSION SPRING 9	1	PC.

Item No.	Type	Sub	Part No.	Description	Qty	Unit	
124			911242-0	PAN HEAD SCREW M5X25	1	PC.	
125			168745-7	SWITCH COMPLETE	1	PC.	
126			266768-0	TAPPING SCREW 4X16	5	PC.	
127		2	252103-8	HEX. LOCK NUT M5-8	1	PC.	
128			453715-2	TUBE CABLE	1	PC.	
129			168744-9	CONTROL CABLE	1	PC.	
130			922253-0	H.S.H.BOLT M5X30 WITH WR	2	PC.	
131			141771-1	ROCKER COVER COMPLETE	1	PC.	
132			5971500900	ROCKER COVER GASKET	1	PC.	
133		1	142771-4	CYLINDER HEAD COMPLETE	1	PC.	
			INC.	Item No. 168,169			
		2	126943-9	CYLINDER HEAD ASSEMBLY	1	PC.	
134			442167-2	CYLINDER HEAD GASKET	1	PC.	
135			0650109950	SPARK PLUG	1	PC.	
136			922357-8	HEX. SOCKET HEAD BOLT M6X35	5	PC.	
137			123580-0	ENGINE BLOCK ASSY (FOR SERVICE)	1	PC.	
			INC.	135739-7	CYLINDER BLOCK ASS'Y	1	PC.
			INC.	Item No. 130-134,136,140-159, 161-167,170,172-174, 176,177			
138			424201-0	CHECK VALVE	2	PC.	
139			922352-8	HEX. SOCKET HEAD BOLT M6X30	6	PC.	
140			442168-0	CAM GEAR GASKET	1	PC.	
141			318725-5	CAM GEAR COVER	1	PC.	
142			922223-9	H.S.H.BOLT M5X16 WITH WR	4	PC.	
143			6676005000	OIL CAP ASSY	1	PC.	
			INC.	Item No. 144			
144			0213229980	GASKET	1	PC.	
145			346083-9	LEAD VALVE	1	PC.	
146			5931501300	RETAINER PLATE	1	PC.	
147			922117-8	HEX. SOCKET HEAD BOLT M4X12	1	PC.	
148			5976500100	OIL CASE GASKET	1	PC.	
149			319008-6	OIL CASE	1	PC.	
150			346452-4	GASKET	1	PC.	
151			921412-3	HEX. BOLT M8X12	1	PC.	
152			922243-3	HEX. SOCKET HEAD BOLT M5X25	5	PC.	
153		1	0851109960	TUBE	1	PC.	
		2	422420-2	TUBE3-80	1	PC.	
154		1	5972003000	PISTON RING SET	1	PC.	
		2	197040-8	PISTON RING SET	1	SET	
155			197456-7	PISTON SET	1	PC.	
			INC.	318726-3	PISTON	1	PC.
			INC.	Item No. 154,158			
156			213091-4	OIL SEAL 17	1	PC.	
157			326039-8	PISTON PIN	1	PC.	
158			233995-4	RING SPRING 12	2	PC.	
159			0610129940	NEEDLE ROLLER BEARING	1	PC.	
160			0323049950	WOODRUFF KEY	1	PC.	
161			267448-1	FLAT WASHER 41	1	PC.	
162			213090-6	OIL SEAL(L)	1	PC.	
163			126576-0	CRANK SHAFT ASSEMBLY	1	PC.	
164			331964-0	INTAKE VALVE	1	PC.	
165			331965-8	EXHAUST VALVE	1	PC.	
166			234212-5	COMPRESSION SPRING 11	2	PC.	
167			331966-6	RETAINER	2	PC.	
170			256526-2	PUSH ROD	2	PC.	
171			256186-0	PIN 5	1	PC.	
172			310715-4	CAM LIFTER L	1	PC.	
173			126622-9	CAMGEAR ASSEMBLY	1	PC.	

Item No.	Type	Sub	Part No.	Description	Qty	Unit
174			256200-2	PIN 5	1	PC.
175			331937-3	EXHAUST PORT SPACER	1	PC.
176			331967-4	COTTER	4	PC.
177			313267-4	CAM LIFTER R	1	PC.
178			346682-7	MUFFLER GASKET	1	PC.
179			168807-1	EXHAUST MUFFLER	1	PC.
181			266771-1	SOCKET HEAD BOLT M6X18	3	PC.
186	2		161599-1	PULLEY	1	PC.
187			266585-8	TAPPING SCREW 5X12	1	PC.
188			424516-5	COLLAR	1	PC.
189			326200-7	SWING ARM	2	PC.
190			234257-3	FRICITION SPRING	1	PC.
193			444043-6	STARTER ROPE	1	PC.
194			441075-4	REEL	1	PC.
195	1		232262-4	SPIRAL SPRING	1	PC.
	2		SG00000014	SPIRAL SPRING	1	PC.
196			141649-8	STARTER CASE COMPLETE	1	PC.
197			5233504200	CARBURETOR GASKET	1	PC.
198			423438-6	CARBURETOR GASKET	1	PC.
199			266749-4	HEX. S.H.B. M5X25 WITH WR	2	PC.
200			141670-7	INSULATOR COMPL	1	PC.
201			162333-2	INSULATOR GASKET	1	PC.
202			0119059490	SOCKET HEAD BOLT M5X14 (W,SW)	1	PC.
203			168725-3	CARBURETOR	1	PC.
		INC.		Item No. 240-246,248-251,253-259		
204			282027-4	HOSE CLAMP 6	1	PC.
205			412134-1	TUBE 3-210	1	PC.
206			454190-5	CORRUGATE TUBE 160	1	PC.
207			412121-0	TUBE 3-130	1	PC.
208			412123-6	TUBE 10-110	1	PC.
209			168398-2	PRIMER PUMP	1	PC.
210			412112-1	TUBE 3-60	1	PC.
211			452952-5	HOSE JOINT	1	PC.
212			422096-5	TUBE 3-25	1	PC.
213			412122-8	TUBE 3-240	1	PC.
214			412124-4	TUBE 10-220	1	PC.
215			346582-1	PLATE 31	1	PC.
216			458165-6	CHOKE LEVER	1	PC.
217			814P65-0	SERIAL NO. LABEL	1	PC.
218			126149-9	CLEANER PLATE ASSEMBLY	1	PC.
		INC.		Item No. 219-224		
219			453501-1	AIR CLEANER PLATE	1	PC.
220			424316-3	CHECK VALVE	1	PC.
221			162325-1	SEPARATOR GASKET	1	PC.
222			352013-0	SEPARATOR NET	1	PC.
223			162322-7	SEPARATOR STOPPER	1	PC.
224			162324-3	SEPARATOR PLATE	1	PC.
225			458166-4	CHOKE PLATE	1	PC.
226			266427-6	TAPPING SCREW 4X12	1	PC.
227			911243-8	PAN HEAD SCREW M5X25	1	PC.
228			911293-3	PAN HEAD SCREW M5X70	2	PC.
229			442181-8	AIR CLEANER ELEMENT	1	PC.
230			141525-6	AIR CLEANER COVER COMPLETE	1	PC.
		INC.	898350-3	INDICATION LABEL	1	PC.
232			424105-6	PLUG CAP	1	PC.
233			324891-8	PLUG CAP SPRING	1	PC.
234			922138-0	H.S.H.BOLT M4X20 WITH WR	2	PC.
235			638784-6	WIRE	1	PC.

Item No.	Type	Sub	Part No.	Description	Qty	Unit
236			638710-5	LEAD WIRE	1	PC.
237			161837-1	IGNITION COIL	1	PC.
238			319170-7	FLYWHEEL	1	PC.
239			264054-3	FLANGE NUT M10	1	PC.
240			141672-3	PUMP BODY ASSEMBLY	1	PC.
241			442183-4	METERING DIAPHRAGM GASKET	1	PC.
242			168620-7	METERING DIAPHRAGM	1	PC.
243			WJ00021158	METERING DIAPHRAGM COVER	1	PC.
244			WJ00096325	SCREW	4	PC.
245			266795-7	ADJUST SCREW	1	PC.
246			264065-8	CABLE ADJUST NUT M6	1	PC.
248			325922-6	SWIVEL	1	PC.
249			413140-9	WASHER	1	PC.
250			266704-6	PAN HEAD SCREW M3X10	2	PC.
251			346491-4	BRACKET CABLE	1	PC.
253			257964-1	STOP RING E-3	1	PC.
254			424444-4	PACKING RING	1	PC.
255			234183-6	CONICAL COMPRESSION SPRING 5-9	1	PC.
256			213538-8	O RING 2	1	PC.
257			326243-9	JET	1	PC.
258			442155-9	PUMP GASKET	1	PC.
259			WJ00009599	PUMP DIAPHRAGM	1	PC.
260			195926-0	O RING SET	1	PC.
		INC.		Item No. 5,25,26,29		
261			424361-8	STARTER KNOB	1	PC.
262			424360-0	ROPE STOPPER	1	PC.
263			423467-9	SPONGE 12	1	PC.
264			135619-7	CYLINDER HEAD ASS'Y 76CC	1	PC.
		INC.		Item No. 133,164-167,176		
E01			819432-8	CAUTION TAG (10 LANGUAGES)	1	PC.
E02			346745-9	TUBE COVER	1	PC.
E03			412142-2	TUBE 10-50	1	PC.
E04			412143-0	TUBE 10-420	1	PC.
E05			454751-1	JOINT	1	PC.
E06			282023-2	HOSE CLAMP 14	4	PC.
E07			424503-4	GROMMET	1	PC.
E08			454683-2	JOINT 1	1	PC.
E10			806G81-2	GAS EMISSION APPRO LABEL 2014	1	PC.
<u>ACCESSORIES</u>				- Visit www.makita.ca for more accessories information -		
A01			163319-9	HAND STRAP	1	PC.
A02			782237-8	BOX WRENCH	1	PC.
A03			783019-1	DRIVER	1	PC.
A04			282024-0	HOSE CLAMP 76	4	PC.
A05			282025-8	HOSE CLAMP 100	1	PC.
A06			453700-5	STRAIGHT PIPE 380	1	PC.
A07			412115-5	FLEXIBLE PIPE	1	PC.
A08			453506-1	DIFFUSION COVER	1	PC.
A10			196499-6	NOZZLE SET	1	PC.
A12			199237-5	BAND 25 SET	1	PC.