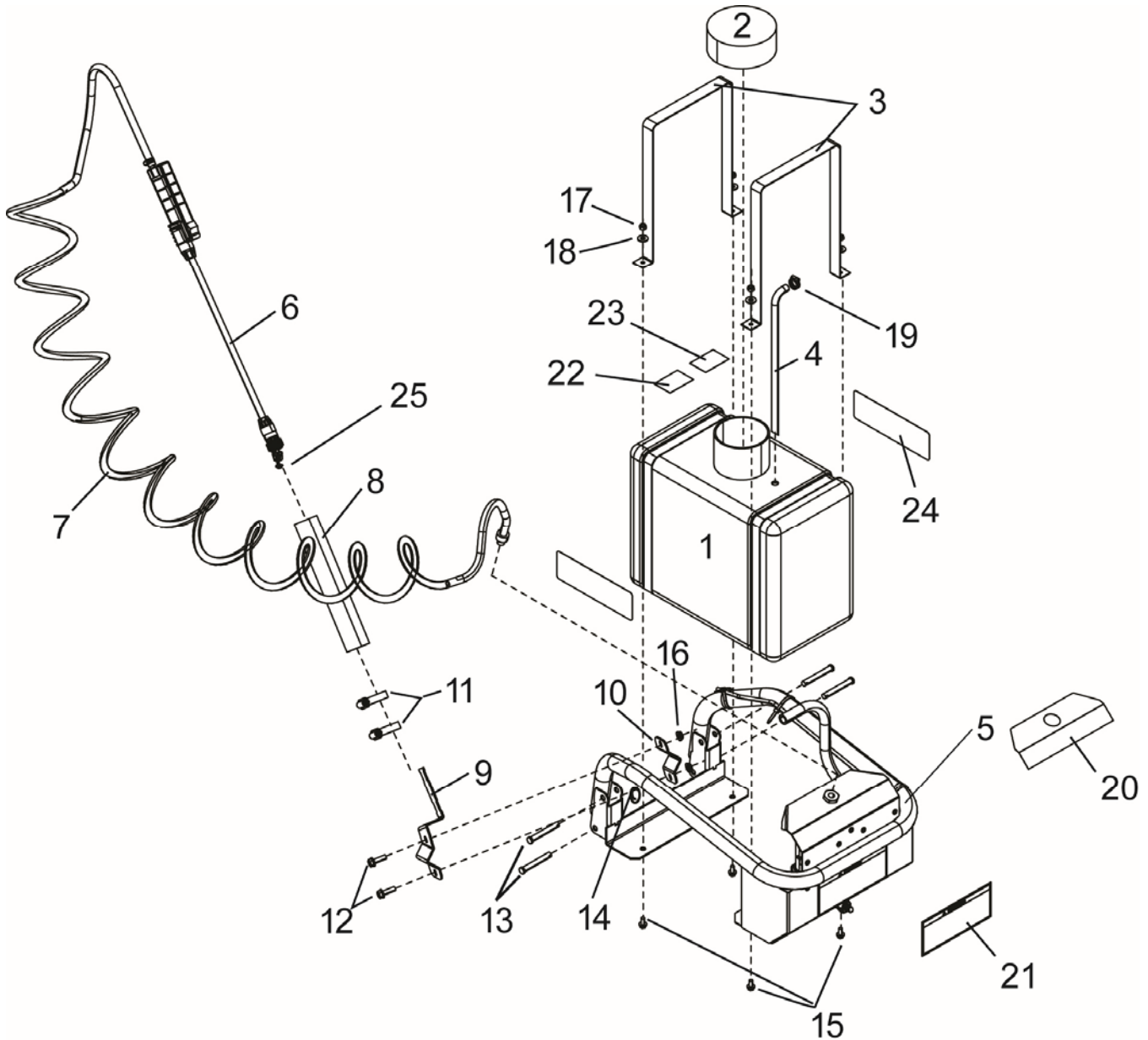


2 Parts Breakdown



21

WARNING

READ and UNDERSTAND the Owner's Manual completely before using this Sprayer. Assemble, test and use only in accordance with the Owner's Manual instructions.

READ and FOLLOW Chemical label instructions. Pesticides are hazardous chemicals which must be handled carefully.

KNOW emergency procedures BEFORE handling chemicals. Sprayer leaks, bodily chemical contact, poisoning, and spills are all situations which require immediate response.

AVOID inhaling, ingesting, or coming into contact with any chemicals.

EXERCISE CAUTION in vehicle handling. Vehicle will be less stable and handle very differently with filled sprayer attached.

DO NOT TURN ON power to sprayer until ready to spray in order to avoid inadvertent spray release.

Improper use of the sprayer or handling of chemicals could result in serious injury or illness to the operator or nearby persons/animals, or could cause damage to the environment.

Replace this label if damaged or destroyed. Consult Owner's Manual for ordering instructions.

22

WARNING

- DO NOT PUMP FLAMMABLE FLUIDS.
- DO NOT USE PUMP IN AN EXPLOSIVE ENVIRONMENT.
- READ AND UNDERSTAND THE OWNER'S MANUAL COMPLETELY BEFORE USING.
- RELIEVE SYSTEM PRESSURE BEFORE PERFORMING MAINTENANCE.

PH 3313.JRC

23

NOTICE

- UN-PLUG BATTERY HARNESS WHEN NOT IN USE.
- DISCONNECT POWER WHENEVER TANK IS EMPTY.
- Pump will run until pressure builds up. Pressure switch will then turn off pump.

PH 3314.JRC

Ref No.	Part No.	Description	Qty	Ref No.	Part No.	Description	Qty
1	3160.JRC	Tank, 6 gallon	1	14	4110.JRC	Circle Cotter	4
2	3161.JRC	Cap, Tank	1	15	3145.JRC	¼-20 x ½" Flange Bolt	4
3	3162.JRC	Strap, Tank	2	16	7247.JRC	5/16 Flange Nut	2*
4	779389.DOS	Draw Tube	1	17	3145.JRC	¼-20 Nylon Lock Nut	4
5	3175.JRC	Main Frame	1	18	3144.JRC	Flat Washer, ¼"	4
6	3110.JRC	Spray Wand w/Tip	1*	19	3191.JRC	Hose Clamp	2
7	3120-1.JRC	Wand Hose 12'	1*	20	3212.JRC	JRCO Label	1
8	8068.JRC	Holster	1*	21	3178.JRC	Label, Warning	1
9	3176.JRC	Holster Bracket	1*	22	3213.JRC	Flammable Warning Label	1
10	3177.JRC	Bracket clamp	1*	23	3214.JRC	Electric Warning Label	1
11	3190.JRC	Hose Clamp, 2"	2*	24	3210.JRC	Tank Label	2
12	3140.JRC	5/16 -18 x 1 Flange Bolt	2*	25	3117.JRC	Replacement tip, Wand	1*
13	4684.JRC	Clevis Pin	4				

* Model 300 only

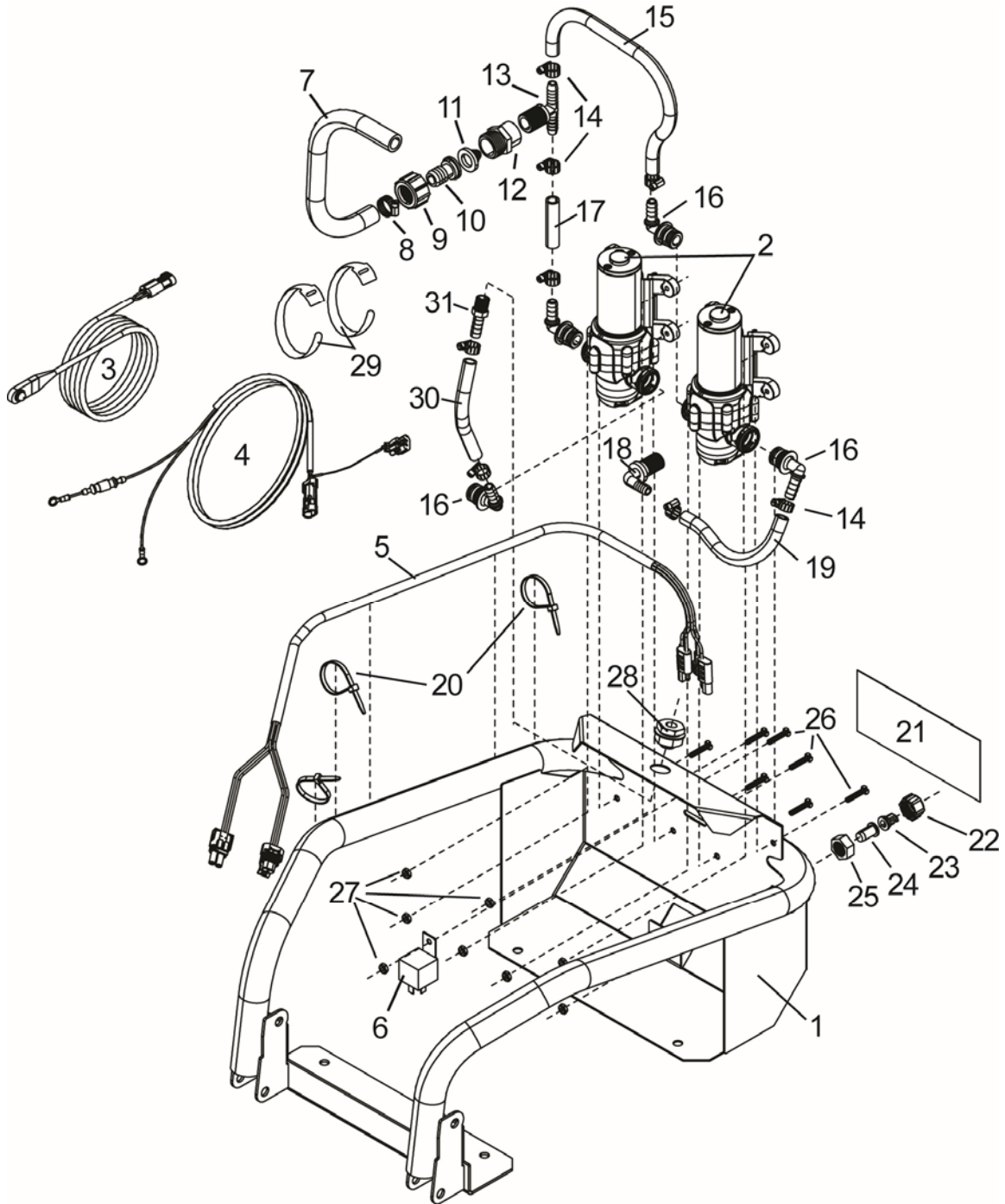
Safety Labels

WARNING

Always make sure safety labels are in place and in good condition. If a safety label is missing or not legible, order new labels or unsafe operation could result.

To order replacement safety labels contact your local JRCO Dealer or JRCO directly at 800-966-8442.

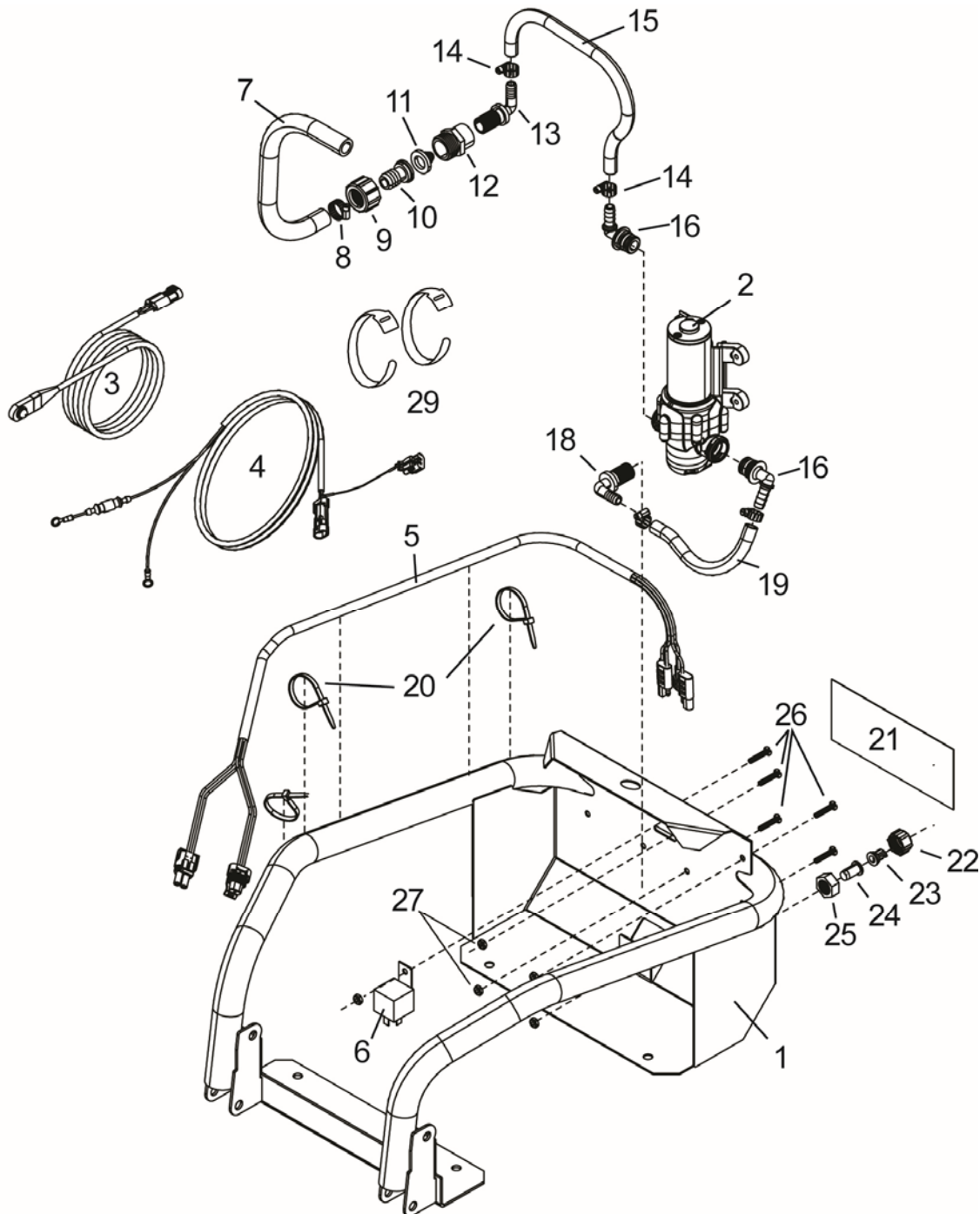
2.1 Plumbing & Electrical parts. Model 300 (With Spray Wand)



Plumbing & Electrical parts. Model 300 (With Spray Wand)

Ref No.	Part No.	Description	Qty	Ref No.	Part No.	Description	Qty
1	3175.JRC	Frame	1	17	3122-3.JRC	Hose, 3/8 X 2 1/2"	1
2	796605.JRC	Pump	2	18	3100.JRC	11/16 X 3/8 HB Elbow	1
3	3151.JRC	Switch Harness	1	19	3122-2.JRC	Hose, 3/8 x 7"	1
4	7430-4.JRC	Battery Harness	1	20	7243.JRC	Cable Tie	9
5	3150.JRC	Pump Harness	1	21	3178.JRC	Decal, Warning	1
6	3200.JRC	Relay	1	22	3111.JRC	Nozzle Nut	1
7	3123-1.JRC	Hose, 1/2 x 17.5"	2	23	3180.JRC	Nozzle Tip, Broadcast	1
8	3191.JRC	Hose Clamp 1/2"	1	24	3113.JRC	Strainer, Anti-drip	1
9	3120.JRC	Flange Nut, 3/4	1	25	3112.JRC	Hex Nut, 11/16"	1
10	3101.JRC	3/4" Flange Hose Barb	1	26	3141.JRC	10-24 PH Screw	9
11	3116.JRC	Filter	1	27	7227.JRC	10-24 Nylon locknut	9
12	3115.JRC	3/4 MGHT X 1/2 FPT	1	28	3185.JRC	Bulkhead Fitting, 3/8 FPT	1
13	3114.JRC	3/8 HB X 1/2 MPT Tee	1	29	7859.JRC	Velcro strap	3
14	3192.JRC	3/8" Hose Clamp	8	30	3122-1.JRC	Hose, 3/8 x 5 1/2"	1
15	3122-4.JRC	Hose, 3/8 x 13"	1	31	3186.JRC	3/8 HB x 1/4 MPT	1
16	787196.DOS	Pump Elbow	4				

2.2 Plumbing & electrical Parts. Model 310 (W/O Spray Wand)



Plumbing & electrical Parts. Model 310 (W/O Spray Wand)

Ref No.	Part No.	Description	Qty	Ref No.	Part No.	Description	Qty
1	3175.JRC	Frame	1	15	3122-4.JRC	Hose, 3/8 x 13"	1
2	796605.JRC	Pump	1	16	787196.DOS	Pump Elbow	2
3	3151.JRC	Switch Harness	1	18	3100.JRC	11/16 x 3/8 HB	1
4	7430-4.JRC	Battery Harness	1	19	3122-2.JRC	Hose, 3/8 x 7"	1
5	3150.JRC	Pump Harness	1	20	7243.JRC	Cable Tie	9
6	3200.JRC	Relay	1	21	3178.JRC	Decal, Warning	1
7	3123-1.JRC	Hose, 1/2 x 17.5"	1	22	3111.JRC	Nozzle Nut	1
8	3191.JRC	Hose Clamp, 1/2"	2	23	3180.JRC	Nozzle Tip, Broadcast	1
9	3120.JRC	Flange Nut 3/4"	1	24	3113.JRC	Strainer, anti-drip	1
10	3101.JRC	Flange HB 3/4"	1	25	3112.JRC	Hex Nut 11/16	1
11	3116.JRC	Filter	1	26	3141.JRC	10-24 PH Screw	5
12	3115.JRC	3/4 MGHT x 1/2 FPT	1	27	7227.JRC	10-24 Nylon Locknut	5
13	3119.JRC	3/8 HB X 1/2 MPT EL	1	29	7859.JRC	Velcro Strap	3
14	3192.JRC	Hose Clamp, 3/8"	4				

3 Tools Required

- Socket Wrench: 1/2" and 9/16".
- Open or Box Wrench: 1/2" and 9/16"
- Flat Blade Screwdriver

3.1 Power Unit Requirements

The Spot sprayer is designed to be attached to a JRco mount bar on stand-up mowers, zero turn mowers, and walk-behinds.