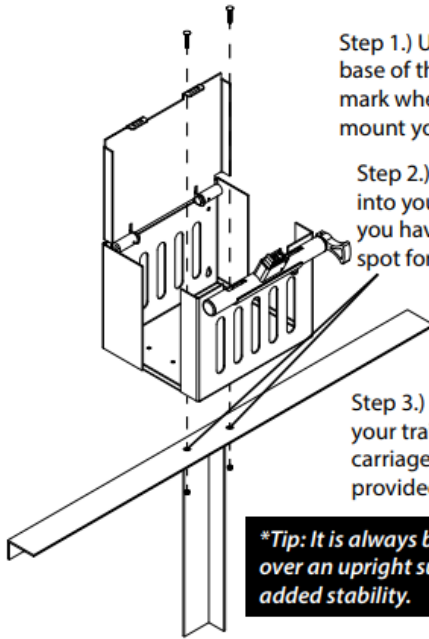




MULTI TOOL CAGE INSTALLATION GUIDE FOR OPEN AND ENCLOSED TRAILERS

OPEN MOUNT

Tools Needed: 13/32 Inch Drill Bit and a 16MM Wrench

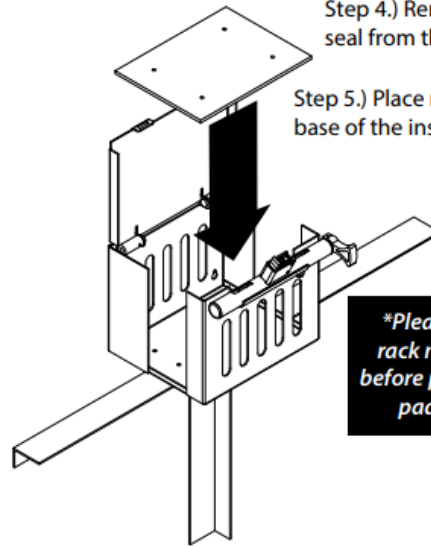


Step 1.) Using the holes on the base of the rack as a template, mark where you would like to mount your rack.

Step 2.) Drill two 11mm holes into your trailer railing where you have marked the desired spot for mounting.

Step 3.) Assemble the rack to your trailer using the two large carriage bolts and nuts provided in the packaging.

**Tip: It is always best to mount the rack over an upright support on your trailer for added stability.*



Step 4.) Remove the adhesive seal from the rubber pad.

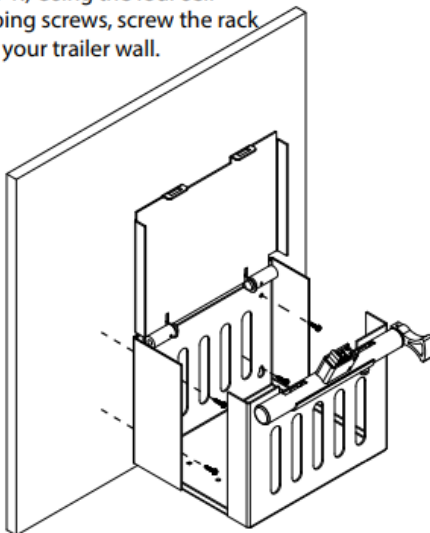
Step 5.) Place rubber pad over the base of the inside of the rack.

**Please note that the rack must be installed before placing the rubber pad into the rack.*

ENCLOSED MOUNT

Tools Needed: 3/8 Inch Driver

Step 1.) Using the four self tapping screws, screw the rack into your trailer wall.



Step 2.) Remove the adhesive seal from the rubber pad.

Step 3.) Place rubber pad over the base of the inside of the rack.

