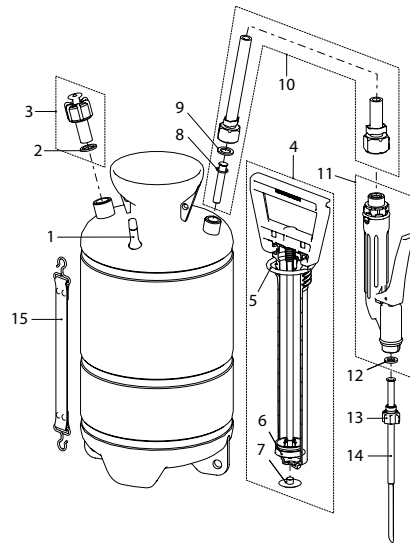




DR 5



Mini-Flex



1

DR 5, powder duster

11625701

121048

AccessoriesInjector needle, curved $\varnothing 2$ mm

11435001-SB

100647

Extension tube straight 1 m, brass, G1/4"-G1/4"e

10960601

100463

XL 8 D Telescopic lance 7 m (max. 6 bar) / working height 8 m (Dust version)

11935401

113791

Mini-Flex

11947101

710600

No Gasket set consisting of:

11629801-SB

700878

2 Gasket 21x15.4x2

5 O-ring 50.16x5.34

6 Sleeve

7 Pump gasket

8 O-ring 10x1.3

9 Gasket 17x11x1.5

12 Gasket 11.9x7x1.5

No Spare parts

1 Compressed air valve

50137531

500157

3 Safety and relief valve 3 bar

11617901-SB

710174

4 Pump red 1.4104 PP NBR

11906301

710532

6 Sleeve, 6 pcs. per pack

11642701

040059

10 Hose 1.5 m, G1/2"-G1/2"

11478202

710327

11 Trigger Profi G1/2"

10495007

100807

Gasket set for trigger

11664910

040851

12 Gasket 12.2x7x3; 12 pcs per pack

11642404

040042

13 Nipple G1/4", minimum order qty. 5 pcs

11341801

040790

14 Powder tube $\varnothing 4$ mm, brass, L = 25 cm

11422101

710334

15 Carrying belt

10453601

100739



XL 8 D

**XL 8 D Telescopic lance 7 m (max. 6 bar) / working height 8 m (Dust version)**

11935401

113791

Accessories

Spray set

11938901

113869

Blow-out valve

11937101

113845

Spare parts

7 m hose set

11936301

113821

For other accessories see page 72