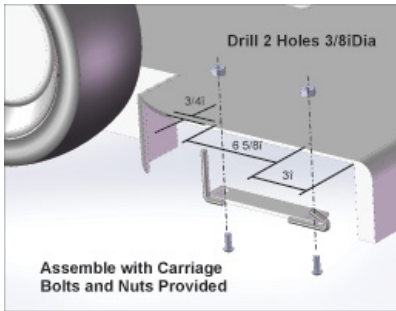
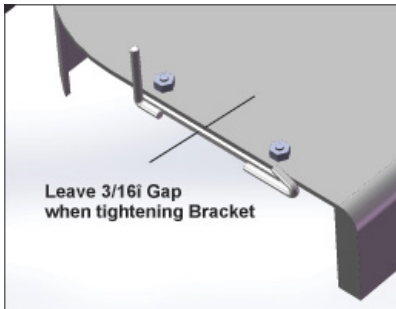


Mounting Bracket Attachment

1) Assemble with carriage bolts and nuts provided.

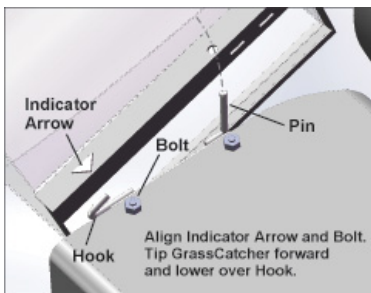


2) Leave 3/16 inch gap when tightening bracket.



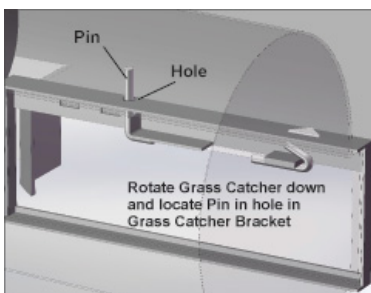
Attachment Grass Catcher

3) Align indicator arrow and bolt. Tip Grass Catcher forward and lower over hook.



View from Mower side

4) Rotate Grass Catcher down and locate pin in hole in Grass Catcher bracket.



View from Grass Catcher side of mechanism