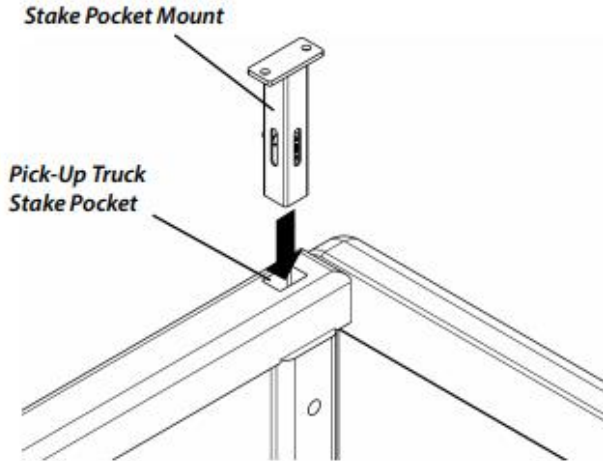
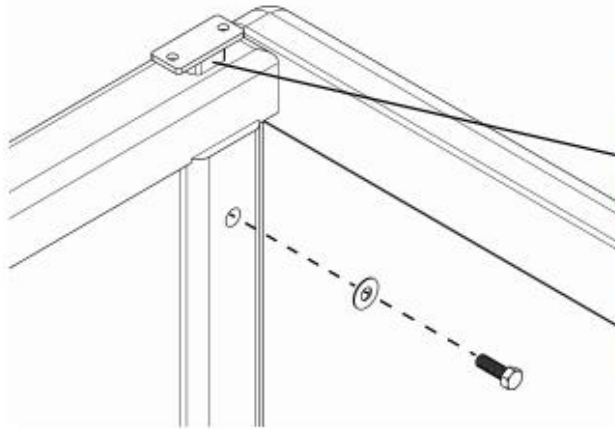


Stake Pocket Mount Installation Guide (Item# EI086)



Step 1.) Choose the stake pocket that you would like to install your mount into.

Step 2.) Drop the Stake Pocket Mount into the stake pocket
***Note: If installing the Truck Rail System (Item# AA101) the Stake Pocket Mount(s) holes must point to the front and the back of the truck bed. If installing a single rack you may mount in any direction.**

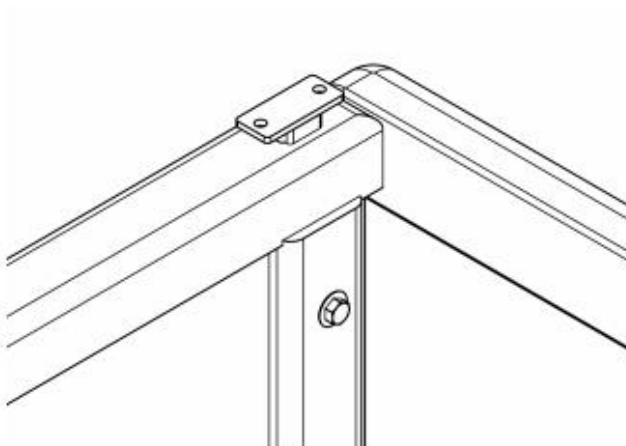


Step 3.) Line the Stake Pocket Mount hole to pre-drilled stake pocket hole on the interior of the pick up truck bed. Once lined up secure with bolt and washer.

***Note: Make sure to leave at least a 1/2 inch gap between the top of the truck bed and the base of the Stake Pocket Mount to allow room for nuts and bolts to be installed.**

***Note: If your truck does not have a factory pre drilled hole through the truck bed then a hole will have to be drilled to allow the Stake Pocket Mount to be used.**

Fully Assembled Stake Pocket Mount



Rack Attached to Stake Pocket Mount

