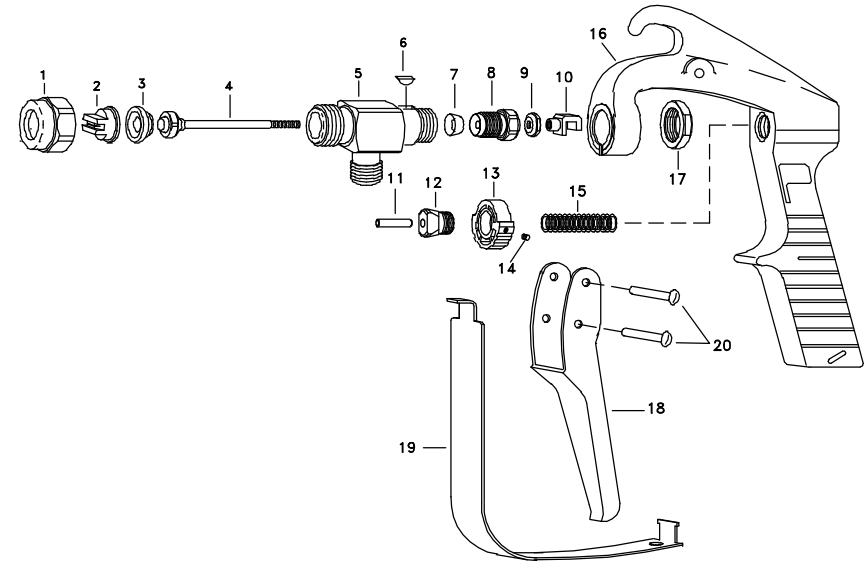


ITEM	PART NO.		DESCRIPTION	
	AA23H	AA23H-SS		
1	CP7890-NP	CP7890-SS	Cap, Brass, Nickel Plated or Stainless Steel	
2	TP**	TP**-SS	Spray Tip, Brass or Stainless Steel	
*	3	CP7490-CTEF	CP7490-SSTEF	Valve Seat, Brass and Carbon Filled Teflon or Valve Seat, Stainless Steel and Carbon Filled Teflon
*	4	CP7482-1-BR302S	CP7482-1-SS302S	Main Stem Assembly, Type 302 Stainless Steel Stem With Brass or Stainless Steel Stem Guide
	5	CP16052-NP	CP16074-SS	Inlet Body, Brass, Nickel Plated or Stainless Steel
	6	CP7892-IZP	CP7892-IZP	Key, Steel, Zinc Plated
*	7	CP14255-1-BU	CP14255-1-BU	Cup Packing, Buna-N
	8	CP16071-NP	CP16071-SS	Packing Screw, Brass, Nickel Plated or Stainless Steel
	9	CP7484-SS	CP7484-SS	Stem Nut, Stainless Steel
	10	CP7481-INP	CP7481-INP	Trigger Guide, Steel, Nickel Plated
	11	CP7491-SS	CP7491-SS	Spring Stud, Stainless Steel
	12	CP9421-INP	CP9421-INP	Safety Lock Screw, Steel, Nickel Plated
	13	CP39698-NY	CP39698-NY	Safety Lock Cam, Nylon
	14	CP9423-1-SS	CP9423-1-SS	Socket Head Set Screw, Stainless Steel
*	15	CP16053-2-302SS	CP16053-2-302SS	Main Spring, Type 302 Stainless Steel
	16	CP16054-1-AL	CP16054-1-AL	Body, Aluminum
	17	CP7486-SS	CP7486-SS	Lock Nut, Stainless Steel
	18	CP14252-INP	CP14252-INP	Trigger, Steel, Nickel Plated
	19	CP9539-INP	CP9539-INP	Trigger Guard, Steel, Nickel Plated
	20	CP8038-SS	CP8038-SS	Rivet, Stainless Steel (2 Req'd)
AA23H, GUNJET® SPRAY GUN				
AA23H-SS, GUNJET® SPRAY GUN				

AB23H-Kit-Spare Parts Kit (For Brass, Nickel Plated GunJet Spray Gun) Includes all items marked with *

AB23H-SS-Kit-Spare Parts Kit (For Stainless Steel GunJet Spray Gun) Includes all items marked with *

**Specify Spray Tip Size Required



DESCRIPTION:
NO. AA23H-
GUNJET® SPRAY GUN



Spraying Systems Co.®

Spray Nozzles and Accessories
P.O. Box 7900 - Wheaton, IL 60189-7900

Rev. No. 2

Parts List No.

Ref.

PL 23H
SHEET OF