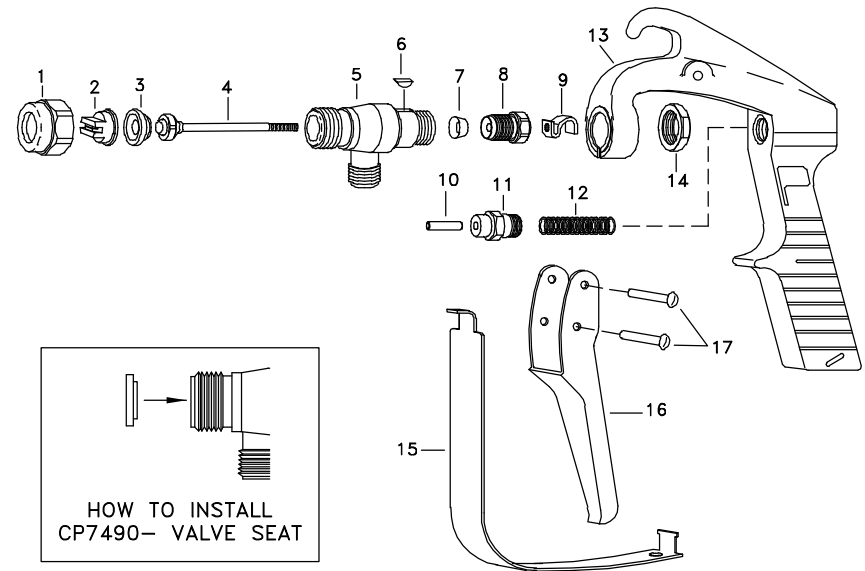


ITEM	PART NO.		DESCRIPTION
	BRASS	STAINLESS STEEL	
1	CP1325-NP	CP1325-SS	TeeJet Cap, Brass, Nickel Plated or Stainless Steel
2	TP**	TP**-SS	Spray Tip, Brass or Stainless Steel
* 3	CP7490-BRTEF	CP7490-SSTEF	Valve Seat, Brass and Teflon or Stainless Steel and Teflon
* 4	CP7482-1-BR302S	CP7482-1-SS302S	Main Stem Assembly, Type 302 Stainless Steel Stem With Brass or Stainless Steel Stem Guide
5	CP16052-NP	CP16074-SS	Inlet Body, Brass, Nickel Plated or Stainless Steel
6	CP7892-IZP	CP7892-IZP	Key, Steel, Zinc Plated
* 7	CP14255-1-BU	CP14255-1-BU	Cup Packing, Buna-N
8	CP16071-NP	CP16071-SS	Packing Screw, Brass, Nickel Plated or Stainless Steel
9	CP8591-IZP	CP8591-IZP	Trigger Guide, Steel, Zinc Plated
10	CP7491-SS	CP7491-SS	Spring Stud, Stainless Steel
11	CP7480-IZP	CP7480-IZP	Spring Screw, Steel, Zinc Plated
* 12	CP16053-2-302SS	CP16053-2-302SS	Main Spring, Type 302 Stainless Steel
13	CP16054-1-AL	CP16054-1-AL	Body, Aluminum
14	CP7486-SS	CP7486-SS	Lock Nut, Stainless Steel
15	CP9539-INP	CP9539-INP	Trigger Guard, Steel, Nickel Plated
16	CP14252-INP	CP14252-INP	Trigger, Steel, Nickel Plated
17	CP8038-SS	CP8038-SS	Rivet, Stainless Steel (2 Req'd)
AA23L, GUNJET® SPRAY GUN, BRASS, NICKEL PLATED			
AA23L-SS, GUNJET® SPRAY GUN, STAINLESS STEEL			

AB23L-Kit-Spare Parts Kit (For 23L) Includes all items marked with \*  
 AB23L-SS-Kit-Spare Parts Kit (For 23L-SS) Includes all items marked with \*  
 \*\*Specify Spray Tip Size Required



HOW TO INSTALL  
 CP7490- VALVE SEAT

DESCRIPTION:  
 NO. AA23L AND AA23L-SS  
 GUNJET® SPRAY GUNS



**Spraying Systems Co.®**  
 Spray Nozzles and Accessories  
 P.O. Box 7900 - Wheaton, IL 60189-7900

Rev. No. 4

Parts List No.

Ref.

PL 23L

SHEET OF