

KODIAK POWER EQUIPMENT PWP1H

Technical Manual



Specifications / Reference

PWP1H	
Port Size	1" BSPP M
Seal Material	Carbon Ceramic
Impeller Material	Aluminum
Volute Material	Aluminum
Pump Casing Material	Aluminum
Suction Lift ft (m)	26 (8)
Max Head ft (m)	114 (35)
Max Flow gpm (lt/min)	31 (120)
Solids Capacity in (mm)	N/A
Weight lbs (kg)	11.2 (5.1)
size inches (mm) LxWxH	11x9.5x13 (285x235x325)
Engine	Honda GX25
Engine Spec #	W3
Engine type	4 stroke
oil Alert	No
Engine output hp(kw)	1 (.72)
Fuel Tank Capacity gal (l)	.15 (06)

Centrifugal Pump Reference Information

Losses due to hose friction

Hose Friction losses					
Pressure Drop in psi per 100 ft of hose with typical flow rates					
Water Flow (gpm)	1"	1.5"	2"	3"	4"
10	7				
20	26				
30	56	8			
40	96	13			
50	144	20	5		
100		72	18		
150		153	38	5	
200			64	8.9	
250			97	14	
300				19	4
350				25	6
400				32	8
450					10
500					12
550					14

Losses are expressed in feet of head loss

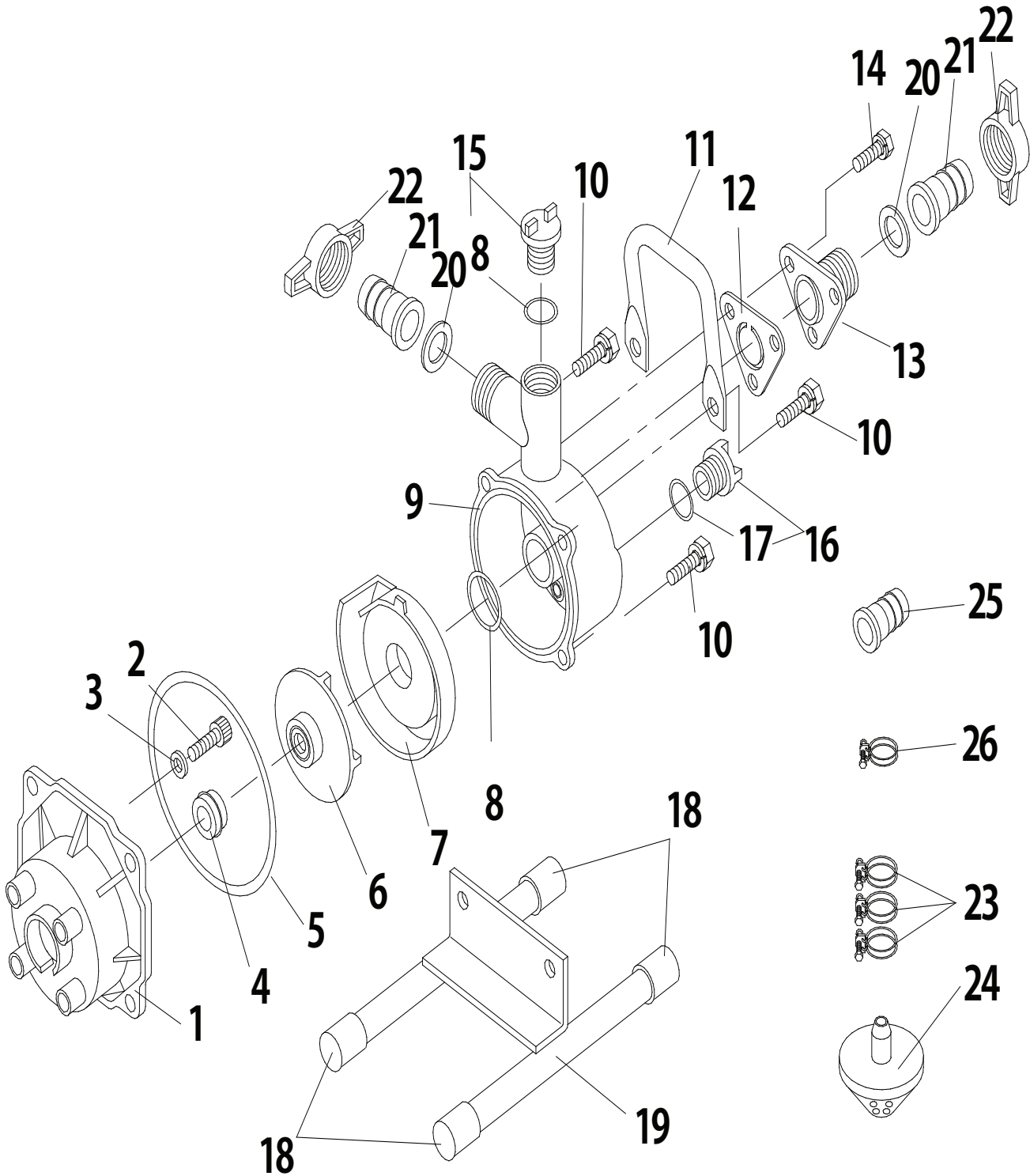
Values are based on the Hasen-Williams Equation and are close approximations

Losses due to elevation

Pressure can be designated in many units from bar (si), psi (imperial) or also in high of a water column (feet or metres). In imperial units the weight of one foot of water is equal to .4328 psi. In other words for every foot of elevation change from the discharge of the pump to the point of discharge of the hose there is a pressure of .4328 psi applied to the pump.

1 foot of water (head) = .4328 psi

Parts Illustration PWP1H



Parts List PWP1H

REF No.	Parts No.	Parts name	Q'ty	Remarks
	ENGINE	GX25	1	
1	200 201 180	CASING COVER	1	
2	203 000 010	HEX.SOCKET BOLT	4	M5x25
3	203 100 030	AL WASHER	4	5x12x0.8
4	201 100 011	MECHANICAL SEAL	1	1"
5	200 800 010	O-RING	1	W1517-31
6	200 201 190	IMPELLER	1	
7	200 201 200	INNER CASING	1	
8	200 800 030	O-RING	1+(1)	P-41
9	200 200 040	CASING	(1)	OEL-25
10	203 000 020	HEX.BOLT	4	M8x30 P=3
11	200 300 020	HANGER	1	
12	200 900 010	CHECK VALVE	1	
13	200 200 050	VALVE CASE	(1)	PF1
14	1400 1001450	HEX.BOLT	3	M6x20 P=3
15	200 500 010	PRIMING PLUG ASSY	1	
16	200 500 040	PLUG ASSY	1	
17	200 800 020	O-RING	(1)	P-24
18	200 900 500	RUBBER	4	
19	200 101 150	PIPE BASE(BLACK)	1	
20	200 900 030	COUPLING PACKING	2	NBR
21	200 500 030	HOSE COUPLING	2	1"
22	200 500 020	COUPLING HANDLE	2	PF1
23	201 000 020	HOSE BAND	3	1"
24	201 200 010	STRAINER	1	1J

Pump Curve PWP1H

PWP1H

