

HM REGULATING UNLOADER

Ideal for use in systems which incorporate a gasoline engine; eliminates back pressure in system when pulling a manual start engine. Features brass and stainless steel construction, and a plastic adjustable pressure control knob.



SPECIFICATIONS

Part Number	ZKHM ZKHM1 (without adj. knob)
Maximum Volume	10.8 GPM
Maximum Discharge Pressure	0 to 3000 PSI
Maximum Temperature	165°F
Port Sizes:	
Inlet	3/8 - 19 BSPP - F
Outlet	1/4 - 19 BSPP - F
Outlet	3/8 - 19 BSPP - M
Bypass (2)	3/8 - 19 BSPP - F
Dimensions	2.75 x 3.75 x 6.50 in.
Weight	2.5 lb.

Note: For proper operation of the HM Unloader, it must be mounted as shown in the vertical position.

General Pump recommends using a safety relief device in conjunction with this unloader valve when installed on a positive displacement pump. General Pump is not liable and assumes no responsibility for this valve when used in a customer's high pressure system.

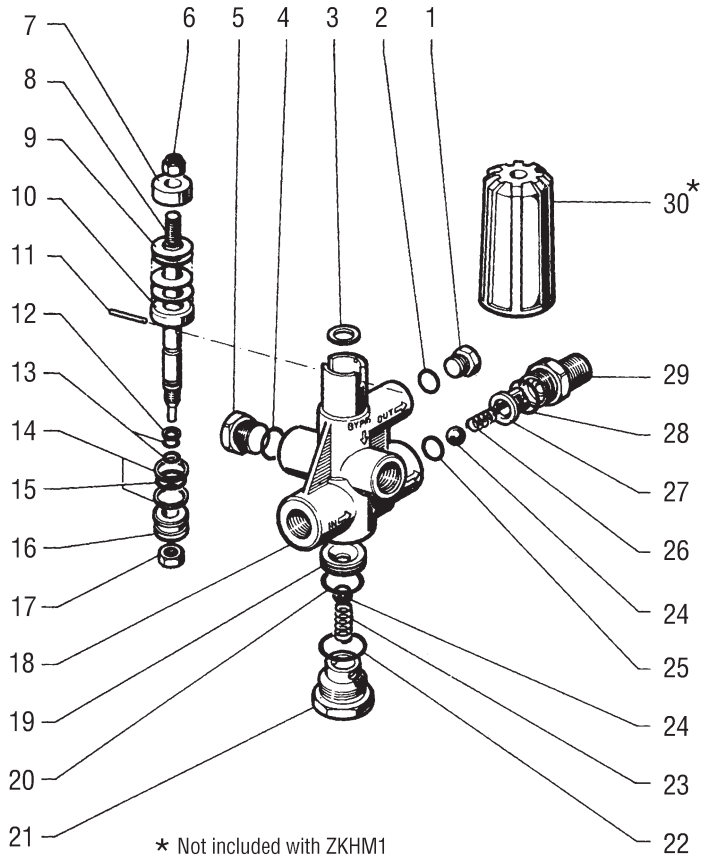
PARTS LIST

HM Regulating Unloader

Item	Part Num.	Description	KIT	Qty.
1.	98204100	Cap		1
2.	90358500	O-Ring	72	1
3.	96710200	Washer		1
4.	90383300	O-Ring	72	1
5.	98210000	Cap		1
6.	92220800	Nut		1
7.	36311364	Spring Guide		1
8.	36310766	Piston Guide		1
9.	94849500	Washer	72	20
10.	36310976	Spring Plate		1
11.	97614300	Pin		1
12.	90502500	Anit-Ext. Ring	72	1
13.	90357500	O-Ring	72	2
14.	90508000	Anti-Ext. Ring	72	2
15.	90383100	O-Ring	72	1
16.	36311266	Piston		1
17.	92222000	Nut		1
18.	36310101	Body		1
19.	36310266	Valve Seat	72	1
20.	90359400	O-Ring		1
21.	36310370	Cap		1
22.	90384700	O-Ring	72	1
23.	94737400	Spring *OPTIONAL		1
24.	97483800	Ball	72	2
25.	90382200	O-Ring	72	1
26.	94735500	Spring	72	1
27.	36310451	Valve Guide	72	1
28.	90384300	O-Ring	72	1
29.	36310570	Nipple		1
30.	36311002	Knob		1

Repair Kit 72

Includes Nos. 2, 4, 9, 12, 13, 14, 15, 19, 20, 22, 23, 24, 25, 26, 27, 28



Note: For proper operation of the HM Unloader, it must be mounted in the vertical position. The optional spring (item #23) must be used if the unloader is mounted in any position other than vertical.

