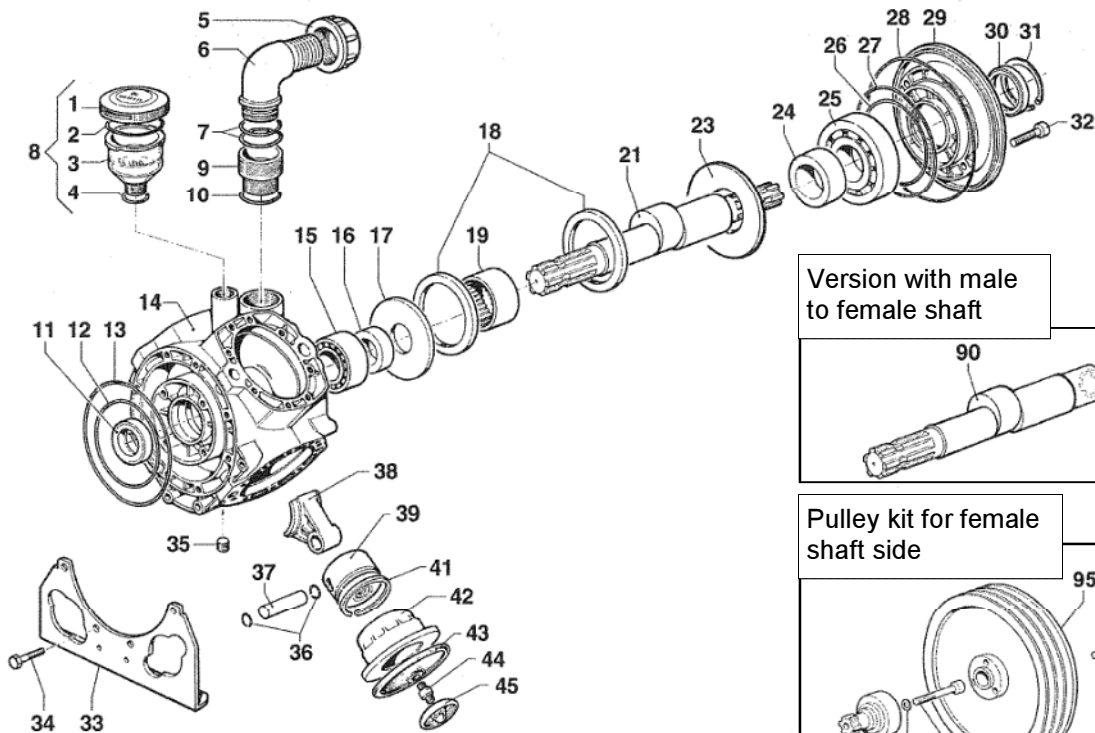


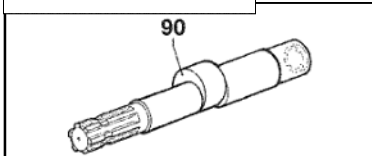


APS145

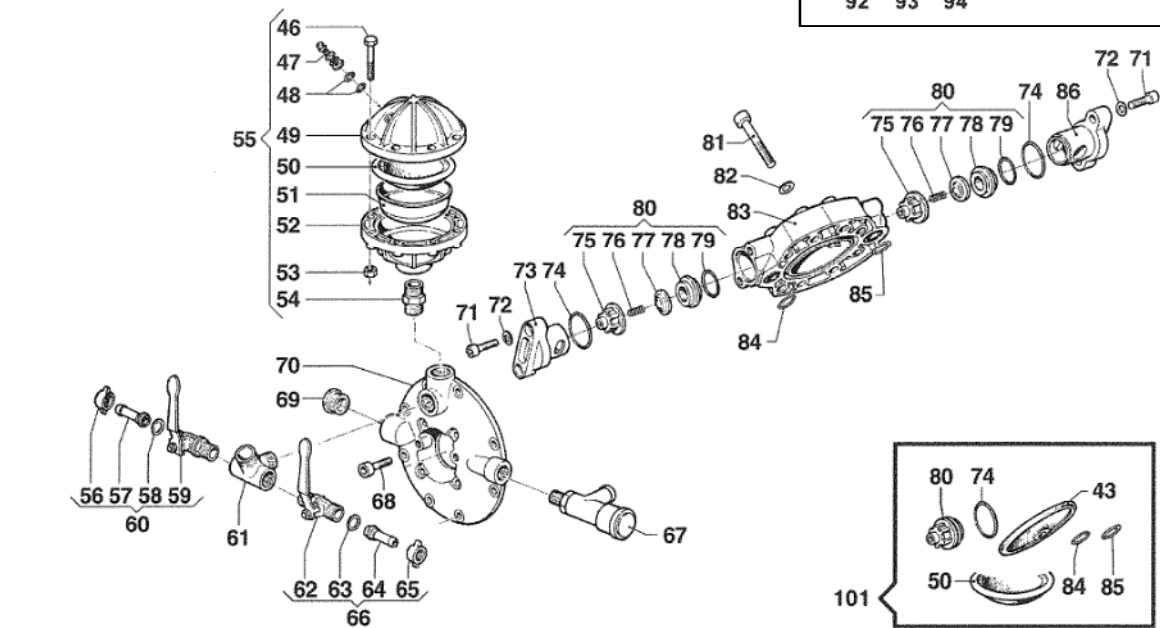
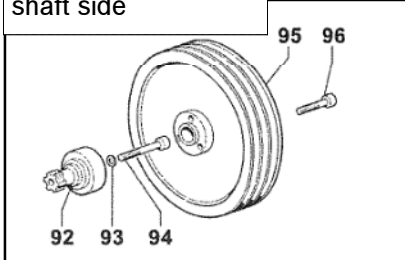
APS145



Version with male to female shaft



Pulley kit for female shaft side



Pressure regulator included, but not shown. Refer to VRS series on page 61.

PRICES SUBJECT TO CHANGE WITHOUT NOTICE.

#	PART #	DESCRIPTION	NOTE	QTY
1	0402.0143.00	CAP		1
2	1210.0373.00	O-RING	3,53X73,03	1
3	0421.0012.00	VOLUMETRIC COMPENSATOR		1
4	1210.0002.00	O-RING	2,62X20,7	1
5	1200.0052.00	WING NUT	2" GAS	1
6	2801.0057.00	ELBOW COUPLING	45	1
7	1210.0197.00	O-RING	2,62X39,34	2
8	1208.0015.00	OIL CUP		1
9	2000.0096.00	NIPPLE	G1" 3/4-G2	1
10	1210.0113.00	O-RING	2,62X47,3	1
11	0019.0068.00	OIL SEAL	40X60X10	1
12	1210.0351.00	O-RING	2,62X120,32	1
13	1210.0355.00	O-RING	2,62X164x77	1
14	0403.0140.00	PUMP CRANKCASE		1
15	0438.0078.00	BALL BEARING	40X80x30,2	1
16	0601.0264.00	SPACER	40,5x58x14	1
17	2813.0030.00	CONNECTING ROD WASHER	40x115x3,5	1
18	0010.0003.00	CONNECTING ROD RING	109,5x93x10	2
19	0437.0076.00	ROLLER	63x80x45	1
21	0001.0409.00	THROUGHSHAFT	1"3/8" M-M	1
23	2813.0070.00	CONNECTING ROD WASHER	55x115x3,5	1
24	0601.0279.00	SPACER	55,3x75x25	1
25	0438.0009.00	BALL BEARING	55x120X29	1
26	1210.0369.00	O-RING	3,53X117,1	1
27	1210.0365.00	O-RING	2,62X158,42	1
28	1210.0359.00	O-RING	3,53x196,4	1
29	1009.0168.00	FLANGE		1
30	0019.0089.00	OIL SEAL	55X72X8	1
31	3020.0007.00	RETAINING CLIP	72	1
32	3609.0009.00	SCREW	M10X35	8
33	2400.0084.00	PUMP MOUNTING BRACKET		2
34	3607.0220.00	HEXAGONAL SCREW	M10X30	8
35	3200.0019.00	PLUG	GC3/8x10	1
36	3020.0006.00	RETAINING CLIP	18	8
37	3011.0003.00	CONNECTING ROD PIN	18x57	4
38	0205.0064.00	CONNECTING ROD ASSEMBLY		1
39	2409.0068.00	PISTON	70	4
41	0020.0001.00	COMPRESSION RING	70x3X2,8	4
42	0400.0071.00	PISTON SLEEVE	70x8,9	4
43	1800.0012.00	DIAPHRAGM	BUNA	4
	1800.0058.00	DIAPHRAGM	DESMOPAN	4
	1800.0031.00	DIAPHRAGM	VITON	4
44	2419.0042.00	STUD BOLT	12X30/11x11	4
45	0602.0011.00	DISC		4
46	3607.0025.00	HEXAGONAL SCREW		8
47	3610.0003.00	AIR VALVE		1
48	1209.0033.00	GASKET	14x7,5x2	2

#	PART #	DESCRIPTION	NOTE	QTY
49	0003.0027.00	PRESSURE ACCUMULATOR		1
50	1800.0034.00	DIAPHRAGM		1
51	0460.0036.00	DIAPHRAGM SUPPORT CAP		1
52	0002.0031.00	PRESSURE ACCUMULATOR		1
53	0604.0015.00	NUT	M8	8
54	2000.0024.00	NIPPLE	G3/4-G3/4	1
55	1225.0014.00	PRESSURE ACCUMUL. ASSY		1
56	1200.0038.00	WING NUT	1/2" GAS	1
57	2802.0020.00	DELIVERY HOSE TAIL	10x13	1
58	1209.0013.00	GASKET	12x18x2	1
59	2826.0031.00	RIGHT TAP	1/2-1/2 GAS	1
60	1214.0017.00	COMPLETE RIGHT TAP		1
61	2803.0434.00	COUPLING		1
62	2826.0032.00	LEFT TAP	1/2-1/2 GAS	1
63	1209.0013.00	GASKET	12x18X2	1
64	2802.0020.00	DELIVERY HOSE TAIL	10X13	1
65	1200.0038.00	WING NUT	1/2" GAS	1
66	1214.0016.00	COMPLETE LEFT TAP		1
67	1219.0041.00	SAFETY VALVE ASSEMBLY	50 BAR 100-150L	1
68	3609.0009.00	SCREW	M10X35	8
69	3202.0115.00	PLUG	G3/4 M	1
70	1009.0167.00	FLANGE		1
71	3609.0009.00	SCREW	M10X35	16
72	2811.0098.00	WASHER	10,5X18X2	16
73	3202.0218.00	PLUG		4
74	1210.0385.00	O-RING	2,62X45,69	8
75	1205.0030.00	SUCT./DELIVERY VALVE CAGE	E11x17	8
76	1802.0015.00	SPRING (WIRE 0,8)		8
77	3604.0009.00	SUCTION/DELIVERY VALVE		8
78	3009.0014.00	SUCT./DELIVERY VALVE SEAT		8
79	1210.0114.00	O-RING	3,53X36,1	8
80	1220.0034.00	SUCT./DELIV. VALVE ASSY KIT		8
81	3609.0057.00	SCREW	M12X65	32
82	2811.0025.00	WASHER	13x20x2,5	32
83	3218.0099.00	PUMP MANIFOLD		4
84	1210.0047.00	O-RING	2,62X22,22	4
85	1210.0145.00	O-RING	2,62x28,25	4
86	3202.0219.00	PLUG		4

#	PART #	DESCRIPTION	NOTE	QTY
121	5026.0180.00	COMPLETE REBUILD KIT		1