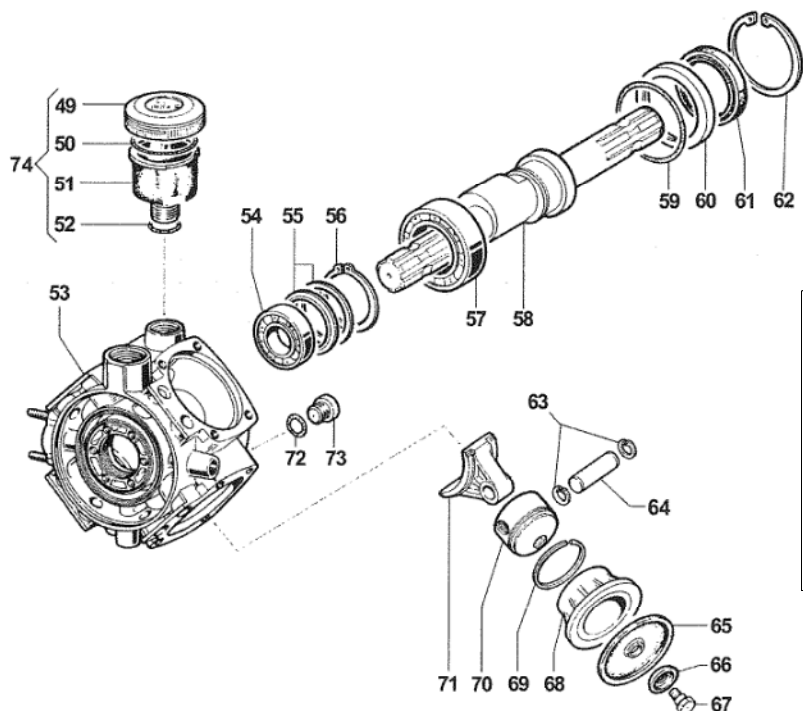


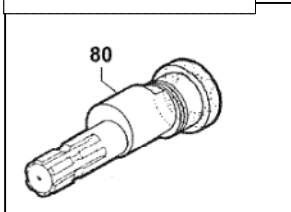


APS96

APS96



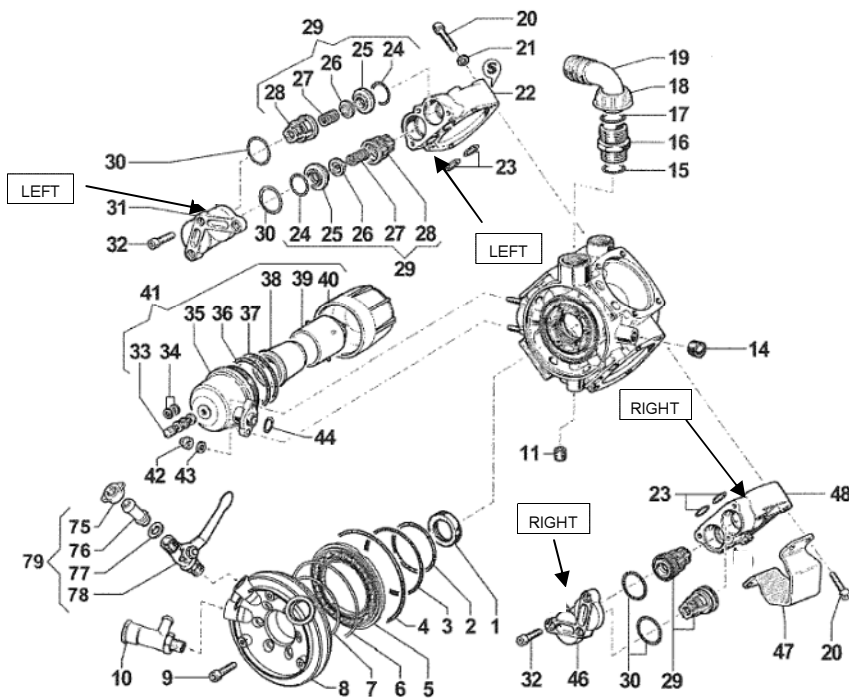
Version with male to female shaft



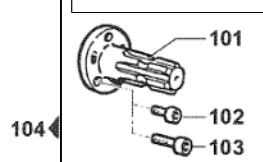
Optional accessories:

For pressure regulator, refer to GCP or VR series starting on page 55.

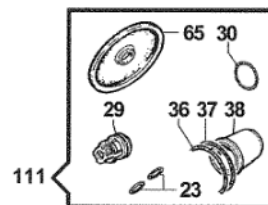
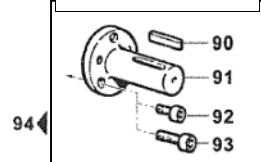
For gearbox, refer to drawing #5005.0221.00 on page 46.



1" 3/8 shaft kit



30mm shaft kit



PRICES SUBJECT TO CHANGE WITHOUT NOTICE.

#	PART #	DESCRIPTION	NOTE	QTY
1	0019.0083.00	OIL SEAL	35x47x7	1
2	1210.0347.00	O-RING	1,78x75,92	1
3	1210.0345.00	O-RING	1,78x101,32	1
4	1210.0349.00	O-RING	3,53x142,5	1
5	0602.0059.00	PLASTIC SPACER	WHITE	1
6	1210.0206.00	O-RING	2,62x101,27	1
7	1210.0431.00	O-RING	2,62x75,87	1
8	1009.0202.00	MANIFOLD FLANGE		1
9	3609.0006.00	SCREW	M8x30	6
10	1219.0051.00	SAFETY VALVE ASSY.		1
11	3200.0019.00	PLUG	GC3/8x10	1
14	3200.0019.00	PLUG	GC3/8x10	1
15	1210.0032.00	O-RING	2,62x34,6	1
16	2000.0086.00	NIPPLE		1
17	1210.0180.00	O-RING	3x29	1
18	1200.0054.00	WING NUT	1"1/2 GAS	1
19	2801.0055.00	ELBOW COUPLING	40	1
20	3609.0078.00	SCREW	M10x70	16
21	2811.0098.00	WASHER	10,5x18x2	8
22	3218.0103.00	LEFT PUMP MANIFOLD		2
23	1210.0047.00	O-RING	2,62x22,22	8
24	1210.0443.00	O-RING	3,53x25,8	8
25	3009.0115.00	SUCT./DELIVERY VALVE SEAT		8
26	3604.0023.00	SUCTION/DELIVERY VALVE		8
27	1802.0015.00	SPRING (WIRE 0,8)	e11x17	8
28	1205.0029.00	SUCT./DELIVERY VALVE CAGE		8
29	1220.0035.00	SUCT./DELIV. VALVE ASSY KIT		8
30	1210.0032.00	O-RING	2,62x34,6	8
31	3202.0197.00	PLUG		2
32	3609.0006.00	SCREW	M8x30	12
33	3610.0003.00	AIR VALVE		1
34	1209.0033.00	GASKET	14x7,5x2	2
35	0003.0026.00	PRESSURE ACCUMULATOR		1
36	1210.0165.00	VITON O-RING	2,62x71,12	1
37	1210.0132.00	O-RING	3,53x74,61	1
38	1800.0094.00	DIAPHRAGM		1
39	0460.0028.00	DIAPHRAGM SUPPORT CAP		1
40	0002.0029.00	PRESSURE ACCUMULATOR		1
41	1225.0013.00	PULSATION DAMPNER		1
42	0604.0039.00	NUT	M8x9,5	2
43	2811.0004.00	WASHER	8,4x14x1,6	2
44	1210.0111.00	O-RING	3,53x18,64	1
46	3202.0217.00	PLUG		2
47	2400.0068.00	PUMP MOUNTING BRACKET		2
48	3218.0102.00	RIGHT PUMP MANIFOLD		2
49	0402.0143.00	CAP		1
50	1210.0373.00	O-RING	3,53x73,03	1
51	0421.0012.00	OIL CUP		1

#	PART #	DESCRIPTION	NOTE	QTY
52	1210.0002.00	O-RING	2,62x20,7	1
53	0403.0127.00	PUMP CRANKCASE		1
54	0438.0010.00	BALL BEARING	35x72x17	1
55	0010.0021.00	CONNECTING ROD RING	68x59x5,5	2
56	3019.0001.00	OUTER SEEGER	55	1
57	0438.0001.00	BALL BEARING	55x90x18	1
58	0001.0518.00	THROUGHSHAFT	1"3/8 M-M	1
59	1210.0225.00	O-RING	2,62x88,57	1
60	0009.0192.00	RING		1
61	0019.0093.00	OIL SEAL	70x85x8	1
62	3020.0002.00	RETAINING CLIP	90	1
63	3020.0029.00	RETAINING CLIP	14	8
64	3011.0021.00	CONNECTING ROD PIN	14x47,5	4
65	1800.0088.00	DIAPHRAGM	BUNA	4
	1800.0096.00	DIAPHRAGM	DESMOPAN	4
	1800.0095.00	DIAPHRAGM	VITON	4
66	0602.0010.00	DISC		4
67	3605.0005.00	DIAPHRAGM HOLDER SCREW	M12x1,5	4
68	0400.0074.00	PISTON SLEEVE	58x8,9	4
69	0020.0008.00	COMPRESSION RING	58x2x2,3	4
70	2409.0067.00	PISTON	58	4
71	0205.0060.00	CONNECTING ROD ASSEMBLY		1
72	1210.0044.00	O-RING	2,62x9,92	1
73	3200.0010.00	PLUG	1/4 GAS	1
74	1208.0015.00	OIL CUP ASSEMBLY		1
75	1200.0038.00	WING NUT	1/2" GAS	1
76	2802.0018.00	DELIVERY HOSE TAIL	8x10	1
77	1209.0013.00	GASKET	12x18x2	1
78	2826.0029.00	RIGHT TAP	3/8-1/2 GAS	1
79	1214.0015.00	COMPLETE TAP		1

#	PART #	DESCRIPTION	NOTE	QTY
80	0001.0515.00	THROUGHSHAFT	1"3/8 M-F	1

#	PART #	DESCRIPTION	NOTE	QTY
94	5003.0014.00	30MM SHAFT KIT	30	1
	5003.0041.00	1" SHAFT KIT	1"	1
104	5003.0007.00	PTO SHAFT KIT	1"3/8	1

#	PART #	DESCRIPTION	NOTE	QTY
111	5026.0087.00	ORDINARY MAINTENEANCE KIT		1