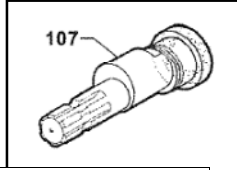
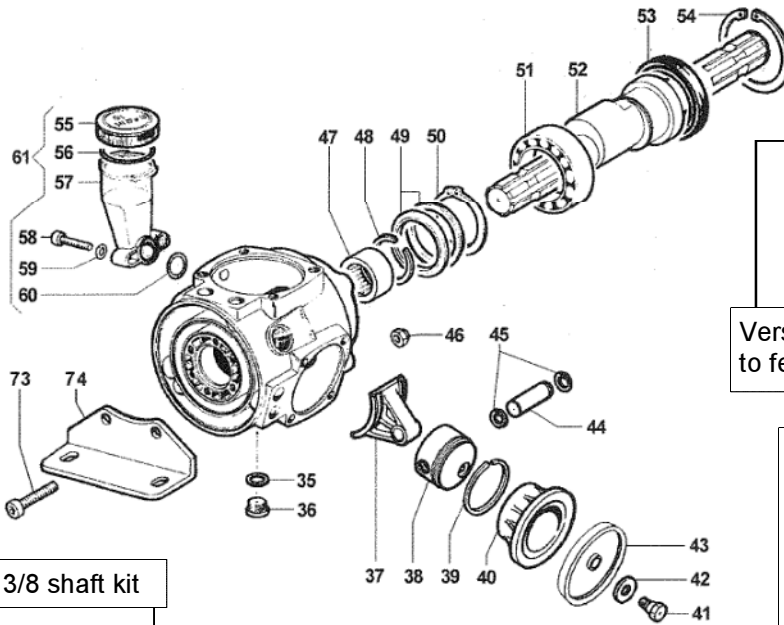


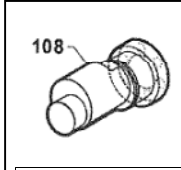


# APS51 / APS71

APS51 / APS71

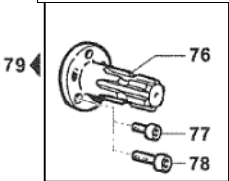


Version with male to female shaft

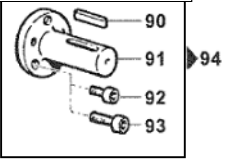


Version with 6 hole shaft

1" 3/8 shaft kit



30mm shaft kit

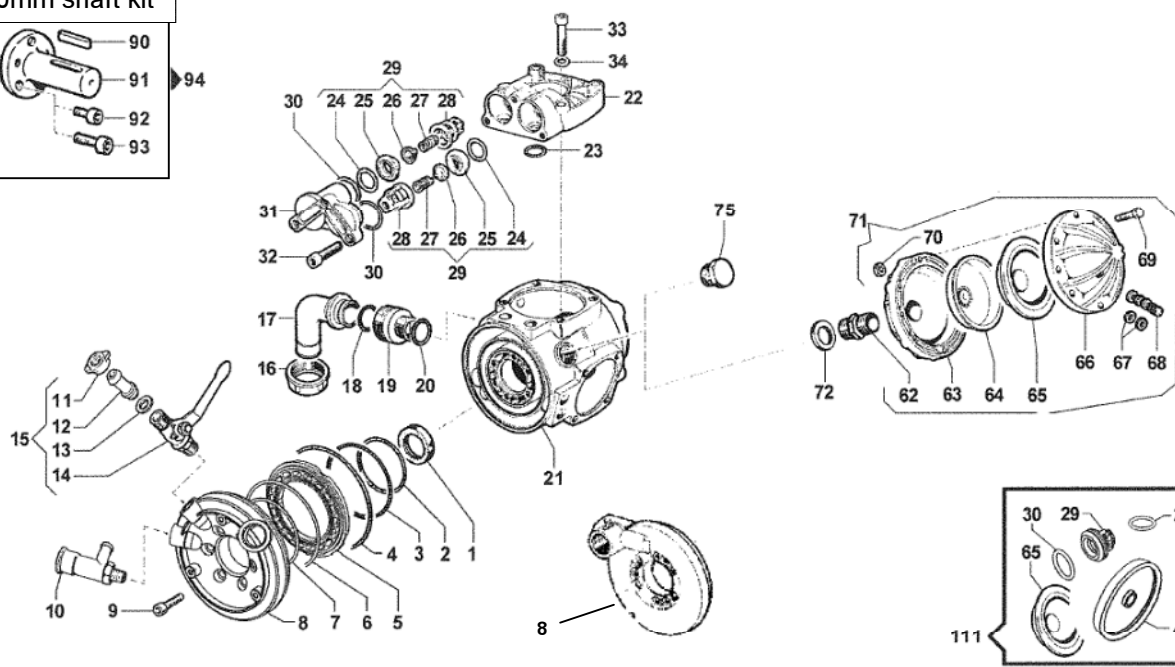


**Optional Accessories:**

For regulators, refer to GCP series starting on page 55.

For gear reduction with 3/4" hollow shaft, see drawing #5005.0216.00 on page 45.

For gear reduction with 1" hollow shaft, see drawing #5005.0221.00 on page 46.



PRICES SUBJECT TO CHANGE WITHOUT NOTICE.

#	PART #	DESCRIPTION	NOTE	QTY
1	0019.0083.00	OIL SEAL	35x47x7	1
2	1210.0347.00	O-RING	1,78x75,92	1
3	1210.0345.00	O-RING	1,78x101,32	1
4	1210.0349.00	O-RING	3,53X142,5	1
5	0602.0058.00	PLASTIC SPACER	BLACK	1
6	1210.0206.00	O-RING	2,62x101,27	1
7	1210.0431.00	O-RING	2,62x75,87	1
8	1009.0202.00	DISCHARGE FLANGE		1
	1009.0095.00	DISCHARGE FLANGE		1
9	3609.0006.00	SCREW	M8x30	6
10	1219.0051.00	APS71 SAFETY VALVE ASSY		1
11	1200.0038.00	APS51 WING NUT	1/2" GAS	1
12	2802.0018.00	DELIVERY HOSE TAIL	8x10	1
13	1209.0013.00	GASKET	12x18x2	1
14	2826.0030.00	LEFT TAP	3/8-1/2 GAS	1
15	1214.0014.00	LEFT COMPLETE TAP		1
16	1200.0011.00	WING NUT	M46x2	1
17	2801.0009.00	SUCTION ELBOW TAIL	25x35	1
18	1210.0034.00	O-RING	3,53x28,17	1
19	2803.0108.00	COUPLING	M46x2	1
20	1210.0173.00	O-RING	2,62X32,99	1
21	0403.0115.00	PUMP CRANKCASE		1
22	3218.0103.00	PUMP MANIFOLD		3
23	1210.0047.00	O-RING	2,62x22,22	6
24	1210.0443.00	O-RING	3,53x25,8	6
25	3009.0115.00	SUCT./DELIVERY VALVE SEAT		6
26	3604.0023.00	SUCTION/DELIVERY VALVE		6
27	1802.0015.00	SPRING (WIRE 0,8)	e11x17	6
28	1205.0029.00	SUCT./DELIVERY VALVE CAGE		6
29	1220.0035.00	SUCT./DELIV. VALVE ASSY KIT		6
30	1210.0032.00	O-RING	2,62x34,6	6
31	3202.0197.00	PLUG		3
32	3609.0006.00	SCREW	M8x30	9
33	3609.0078.00	SCREW	M10x70	12
34	2811.0098.00	WASHER	10,5x18x2	12
35	1210.0044.00	O-RING	2,62x9,92	1
36	3200.0010.00	PLUG	1/4 GAS	1
37	0205.0053.00	CONNECTING ROD ASSEMBLY		1
38	2409.0067.00	PISTON	58	3
39	0020.0008.00	COMPRESSION RING	58x2x2,3	3
40	0400.0074.00	APS71 PISTON SLEEVE	58	3
	0400.0072.00	APS51 PISTON SLEEVE	58	3
41	3605.0005.00	DIAPHRAGM HOLDER SCREW	M12x1,5	3
42	0602.0010.00	DISC		3
43	1800.0088.00	DIAPHRAGM	BUNA	3
	1800.0096.00	DIAPHRAGM	DESMOPAN	3
	1800.0095.00	DIAPHRAGM	VITON	3

#	PART #	DESCRIPTION	NOTE	QTY
44	3011.0021.00	CONNECTING ROD PIN	14x47,5	3
45	3020.0029.00	RETAINING CLIP	14	6
46	0604.0073.00	NUT	M10x10	2
47	0437.0022.00	ROLLER BEARING	35x42x20	1
48	0009.0186.00	RING		1
49	0010.0021.00	CONNECTING ROD RING	68x59x5,5	2
50	3019.0001.00	OUTER SEEGER	55	1
51	0438.0001.00	BALL BEARING	55x90x18	1
52	0001.0518.00	APS71 THROUGHSHAFT	1"3/8 M-M	1
	0001.0516.00	APS51 THROUGHSHAFT	1"3/8 M-M	1
53	0019.0085.00	OIL SEAL	70x90x10	1
54	3020.0002.00	RETAINING CLIP	90	1
55	0402.0141.00	CAP		1
56	1210.0122.00	O-RING	2,62x44,12	1
57	0421.0015.00	OIL CUP		1
58	3609.0002.00	SCREW	M8X25	2
59	2811.0004.00	WASHER	8,4x14x1,6	2
60	1210.0233.00	O-RING	1,78x18,77	1
61	1208.0013.00	VOLUMETRIC COMPENS. KIT		1
62	2000.0024.00	NIPPLE	G3/4-G3/4	1
63	0002.0031.00	PRESSURE ACCUMULATOR		1
64	0460.0036.00	DIAPHRAGM SUPPORT CAP		1
65	1800.0034.00	DIAPHRAGM		1
66	0003.0027.00	PULSATION DAMPNER		1
67	1209.0033.00	GASKET	14x7,5x2	2
68	3610.0003.00	AIR VALVE		1
69	3607.0025.00	HEXAGONAL SCREW	M8x45	8
70	0604.0015.00	NUT	M8	8
71	1225.0014.00	PRESSURE ACCUMUL. ASSY		1
72	0601.0284.00	SPACER	36x27x3	1
73	3609.0049.00	SCREW	M10x120	2
74	2400.0066.00	PUMP MOUNTING BRACKET		2
75	0432.0031.00	APS51 CAP	G3/4	1

#	PART #	DESCRIPTION	NOTE	QTY
79	5003.0007.00	PTO SHAFT KIT	1"3/8	1
94	5003.0014.00	SOLID KEYED SHAFT	30MM	1
	5003.0041.00	SOLID KEYED SHAFT	1"	1

#	PART #	DESCRIPTION	NOTE	QTY
107	0001.0515.00	APS71 M-F THRU-SHAFT	1"3/8 M-F	1
	0001.0513.00	APS51 M-F THRU-SHAFT	1"3/8 M-F	1
108	0001.0322.00	APS71 6 HOLES SHAFT		1
	0001.0277.00	APS51 6 HOLES SHAFT		1

#	PART #	DESCRIPTION	NOTE	QTY
111	5026.0085.00	APS71 REBUILD KIT		1
112	5026.0084.00	APS51 REBUILD KIT		