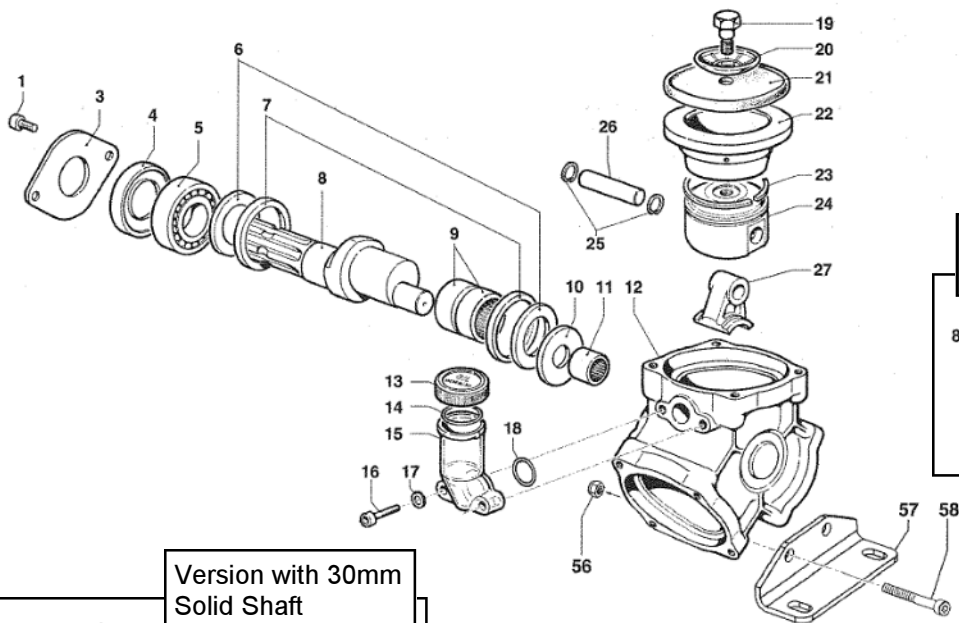


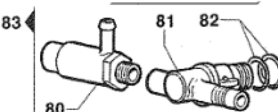


# BP105 / BP125

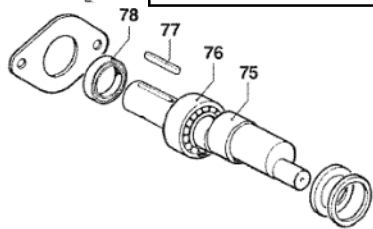
BP105/125



Optional safety valve kit

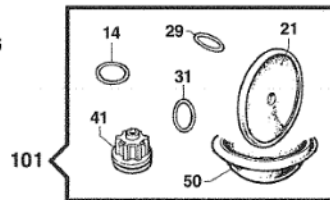
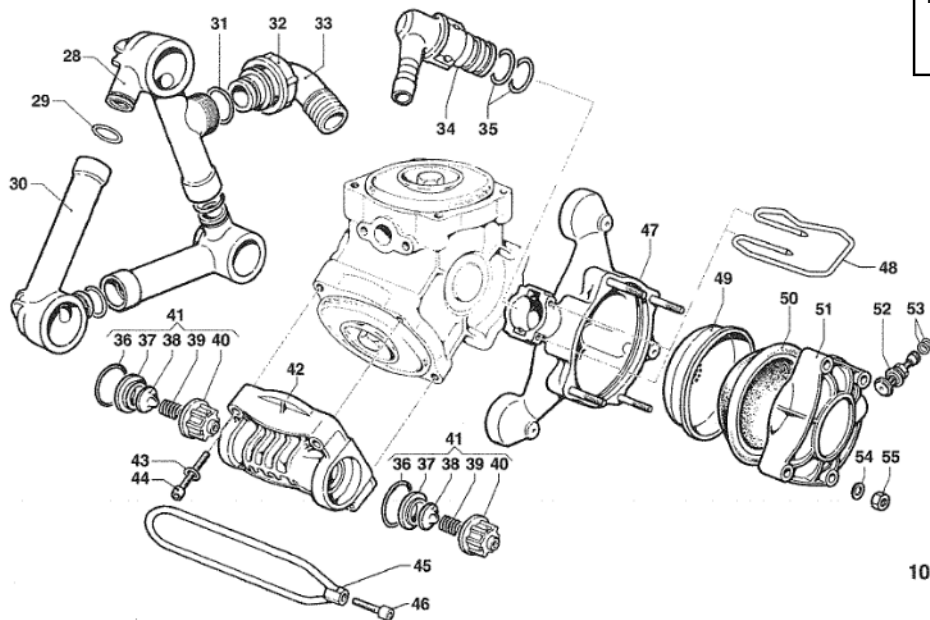


Version with 30mm Solid Shaft



**BP105 Prior to 2010:**

20	0602.0010.00
22	0400.0034.00
23	none
24	2409.0017.00
39	1802.0015.00
40	1205.0004.00
41	1220.0006.00
42	3218.0018.00
101	5026.0326.00



PRICES SUBJECT TO CHANGE WITHOUT NOTICE.

#	PART #	DESCRIPTION	NOTE	QTY
1	3609.0171.00	SCREW	M10x16	2
3	1004.0013.00	FLANGE		1
4	0019.0010.00	OIL SEAL	35x62x10	1
5	0438.0015.00	BALL BEARING	35x62x14	1
6	2813.0019.00	CONNECTING ROD WASHER	63x40x2,8	2
7	0010.0008.00	CONNECTING ROD RING	68x55x6	2
8	0001.0382.00	BP125K NON-THROUGHSHAFT	1"3/8M	1
	0001.0098.00	BP105K NON-THROUGHSHAFT	1"3/8M	1
9	0437.0045.00	ROLLER BEARING	40x47x16	2
10	2813.0024.00	CONNECTING ROD WASHER	20x50x3	1
11	0437.0033.00	ROLLER BEARING	20x28x23	1
12	0403.0133.00	PUMP CRANKCASE		1
13	0402.0141.00	OIL CUP COVER		1
14	1210.0122.00	O-RING	2,62x44,12	1
15	0421.0020.00	VOLUMETRIC COMPENSATOR		1
16	3609.0165.00	SCREW	M8x35	2
17	2811.0099.00	WASHER	8,4x15x1,6	2
18	1210.0037.00	O-RING	2,5x25	1
19	3605.0005.00	DIAPHRAGM HOLDER SCREW		3
20	0602.0045.00	DISC		3
21	1800.0002.00	DIAPHRAGM	BUNA	3
	1800.0176.00	DIAPHRAGM	DESMOPAN	3
	1800.0032.00	DIAPHRAGM	VITON	3
22	0400.0077.00	BP125K PISTON SLEEVE	75	3
	0400.0088.00	BP105K PISTON SLEEVE	70	3
23	0020.0009.00	BP125K COMPRESSION RING	75	3
	0020.0001.00	BO105K COMPRESSION RING	70	3
24	2409.0081.00	BP125K PISTON	75	3
	2409.0096.00	BP105K PISTON	70	3
25	3020.0001.00	RETAINING CLIP	15	6
26	3011.0001.00	CONNECTING ROD PIN	15x53	3
27	0205.0034.00	CONNECTING ROD ASSEM.		1
28	3212.0023.00	SUCTION HOSE		1
29	1210.0047.00	O-RING	2,62x22,22	3
30	3213.0012.00	SUCTION PIPE		2
31	1210.0034.00	O-RING	3,53x28,17	1
32	1200.0011.00	WING NUT		1
33	2801.0063.00	BP125K SUCTION ELBOW TAIL	25x40	1
	2801.0009.00	BP105K SUCTION ELBOW TAIL	25x35	1
34	2803.0033.00	ELBOW QUICK COUPLING	20	1
35	1210.0002.00	O-RING	2,62x20,7	2
36	1210.0419.00	O-RING	6x37x49	6

#	PART #	DESCRIPTION	NOTE	QTY
37	3009.0022.00	SUCT./DELIVERY VALVE SEAT		6
38	3604.0009.00	SUCTION/DELIVERY VALVE		6
39	1802.0255.00	SPRING		6
40	1205.0034.00	SUCT./DELIVERY VALVE CAGE		6
41	1220.0046.00	SUCT./DEL. VALVE ASSY KIT		6
42	3218.0123.00	PUMP MANIFOLD		3
43	2811.0098.00	WASHER	10,5x18x2	12
44	3609.0161.00	SCREW	M10x45	12
45	0418.0041.00	U-BOLT		3
46	3609.0160.00	SCREW	M10x30	3
47	0002.0021.00	PRESSURE ACCUMULATOR		1
48	1202.0060.00	DELIVERY HOOK		1
49	0460.0036.00	DIAPHRAGM SUPPORT CAP		1
50	1800.0034.00	DIAPHRAGM		1
51	0003.0030.00	BP125K PULSATION DAMPNER	ORANGE	1
	003.0015.00	BP105K PULSATION DAMPNER	BLACK	1
52	3610.0003.00	AIR VALVE		1
53	1209.0033.00	GASKET	14x7,5x2	2
54	2811.0089.00	WASHER	10,5x18x1,6	4
55	0604.0105.00	NUT	M10	4
56	0604.0073.00	NUT	M10x1	2
57	2400.0108.00	PUMP MOUNTING BRACKET		2
58	3609.0051.00	SCREW	M10x90	2

#	PART #	DESCRIPTION	NOTE	QTY
75	0001.0394.00	BP125K NON-THROUGHSHAFT	30 CIL.	1
	0001.0136.00	BP105K NON-THROUGHSHAFT	30 CIL.	1
76	0438.0016.00	BALL BEARING	30x62x16	1
77	1602.0018.00	KEY	8x7x40	1
78	0019.0101.00	OIL SEAL	30x62x7	1
	0019.0016.00	OIL SEAL	30x62x10	1

#	PART #	DESCRIPTION	NOTE	QTY
80	1219.0042.00	SAFTETY VALVE		1
81	2803.0359.00	SAFTETY VALVE COUPLING	19 - G3/8"	1
82	1210.0002.00	O-RING	2,62x20,7	2
83	2803.0352.00	SAFETY VALVE KIT		1

#	PART #	DESCRIPTION	NOTE	QTY
101	5026.0326.00	ORDINARY MAINTENANCE KIT		1