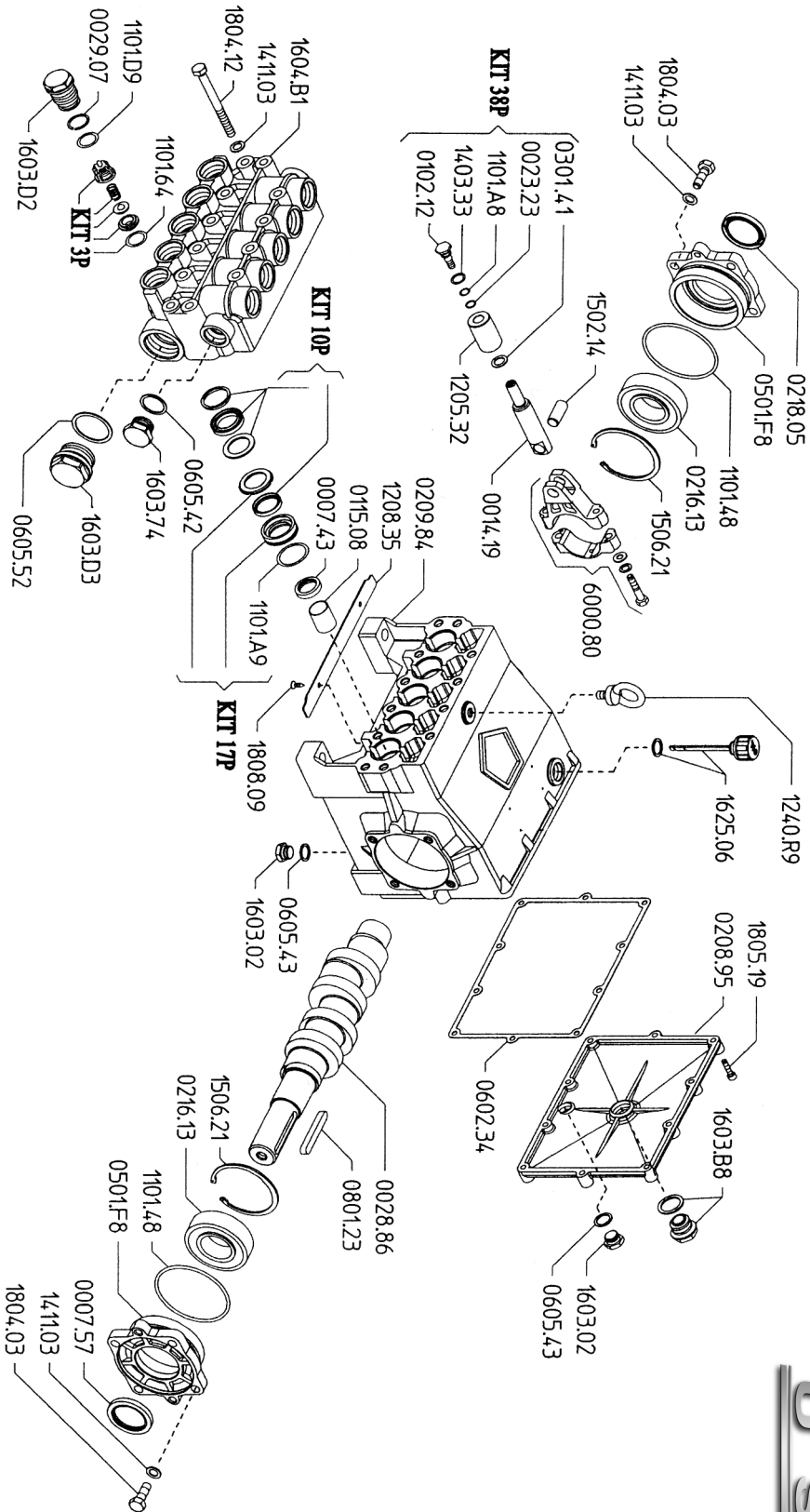


PENTA-C 43/300



PENTA-C 43/300 Quick Reference

Maximum Flow	11 GPM	Valve Kit.....	04-KIT UD-3P
Maximum Pressure	4500 PSI	Seal Kit	04-KIT UD-10P
Rated Pump Speed	1450 RPM	Brass Kit.....	04-KIT UD-17P
Oil Capacity	80 oz. UDOR LUBE	Plunger Bolt Kit.....	04-KIT UD-38P
	or SAE 30W	Plunger Part #	04-1205.32
	Non-Detergent Oil	Plunger Diameter	22 MM