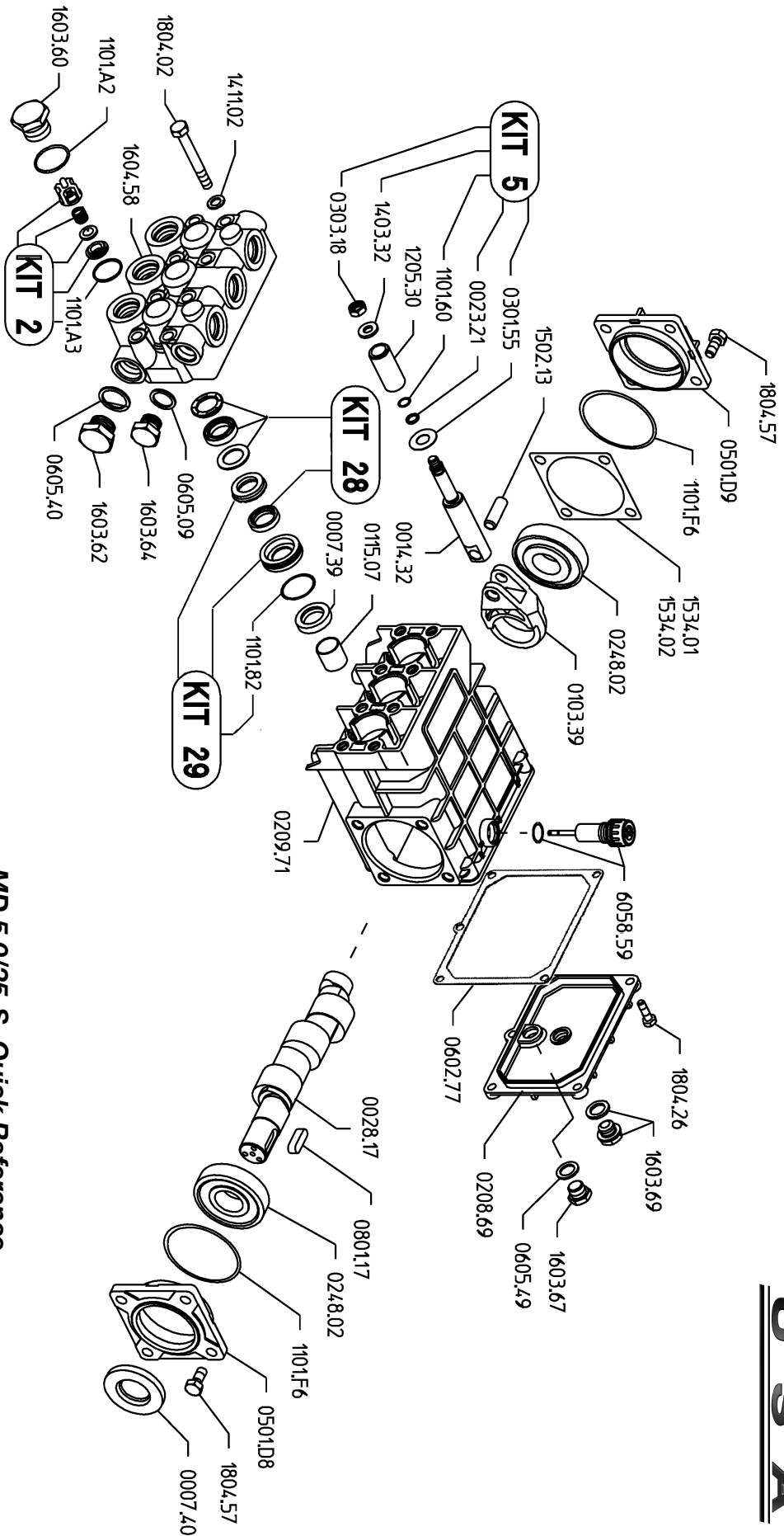


# MD 5.0/25-S



## MD 5.0/25-S Quick Reference

Maximum Flow .....	5.0 GPM	Valve Kit .....	04-KIT UD-2
Maximum Pressure .....	2500 PSI	Seal Kit .....	04-KIT UD-28
Rated Pump Speed .....	1750 RPM	Brass Kit .....	04-KIT UD-29
Oil Capacity .....	20 oz. UDOR LUBE	Plunger Bolt Kit .....	04-KIT UD-5
	or SAE 30W	Plunger Part # .....	04-1205.30
	Non-Detergent Oil	Plunger Diameter .....	18 MM