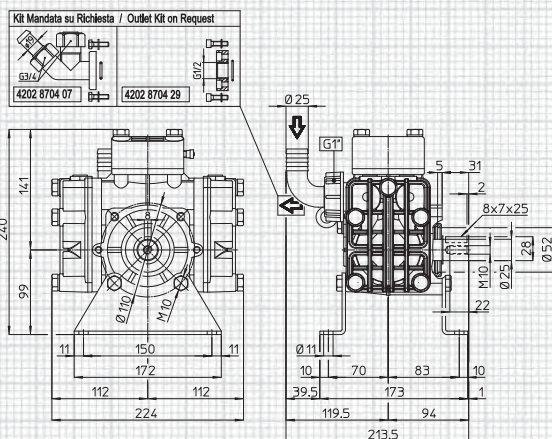


**KAPPA 25** max. 29.5 l/min - 7.8 GPM • 30 bar - 435 PSI • 550 RPM

**KAPPA 32** max. 36 l/min - 9.5 GPM • 30 bar - 435 PSI • 550 RPM



**alberi P. di F. disponibili available P.T.O. shaft**



1-4-14-15

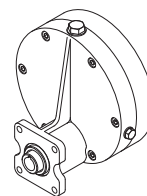
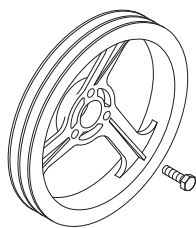
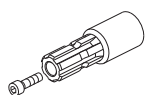


1-4-14-15

Per le dimensioni degli Alberi P. di F. vedi pag. 35

For P.T.O. Shaft dimensions see page 35

**applicazioni shaft adaptors**



RIDUTTORI 15  
Vedi pag. 42/43  
GEAR REDUCTIONS 15  
See page 42/43

MOD.	RPM	0 bar / 0 PSI				5 bar / 72 PSI				10 bar / 145 PSI				20 bar / 290 PSI				30 bar / 435 PSI				Peso Weight
		Portata Flow rate		Potenza Power		Portata Flow rate		Potenza Power		Portata Flow rate		Potenza Power		Portata Flow rate		Potenza Power		Portata Flow rate		Potenza Power		
		l/min	GPM	HP	KW	l/min	GPM	HP	KW	l/min	GPM	HP	KW	l/min	GPM	HP	KW	l/min	GPM	HP	KW	Kg
<b>KAPPA 25</b>	400	21.2	5.6	0.2	0.2	19.2	5.1	0.4	0.3	18.6	4.9	0.5	0.4	18.1	4.8	1.0	0.7	17.6	4.6	1.4	1.0	8
	450	24.0	6.3	0.2	0.2	21.2	5.6	0.4	0.3	20.5	5.4	0.6	0.4	19.9	5.3	1.0	0.8	19.4	5.1	1.5	1.1	
	500	26.8	7.1	0.3	0.2	23.2	6.1	0.5	0.3	22.4	5.9	0.6	0.5	21.7	5.7	1.1	0.8	21.2	5.6	1.7	1.2	
	550	29.5	7.8	0.3	0.2	25.2	6.7	0.5	0.4	24.3	6.4	0.7	0.5	23.5	6.2	1.2	0.9	23.0	6.1	1.8	1.3	
<b>KAPPA 32</b>	400	28.6	7.6	0.3	0.2	22.2	5.9	0.4	0.3	21.6	5.7	0.6	0.5	21.1	5.6	1.1	0.8	20.7	5.5	1.6	1.2	8
	450	31.0	8.2	0.3	0.2	24.6	6.5	0.5	0.4	24.0	6.3	0.7	0.5	23.5	6.2	1.2	0.9	23.1	6.1	1.8	1.3	
	500	33.4	8.8	0.3	0.2	27.0	7.1	0.5	0.4	26.4	7.0	0.8	0.6	25.9	6.8	1.4	1.0	25.5	6.7	2.0	1.5	
	550	35.8	9.5	0.4	0.3	29.6	7.8	0.6	0.4	28.8	7.6	0.8	0.6	28.3	7.5	1.5	1.1	28.0	7.4	2.2	1.6	