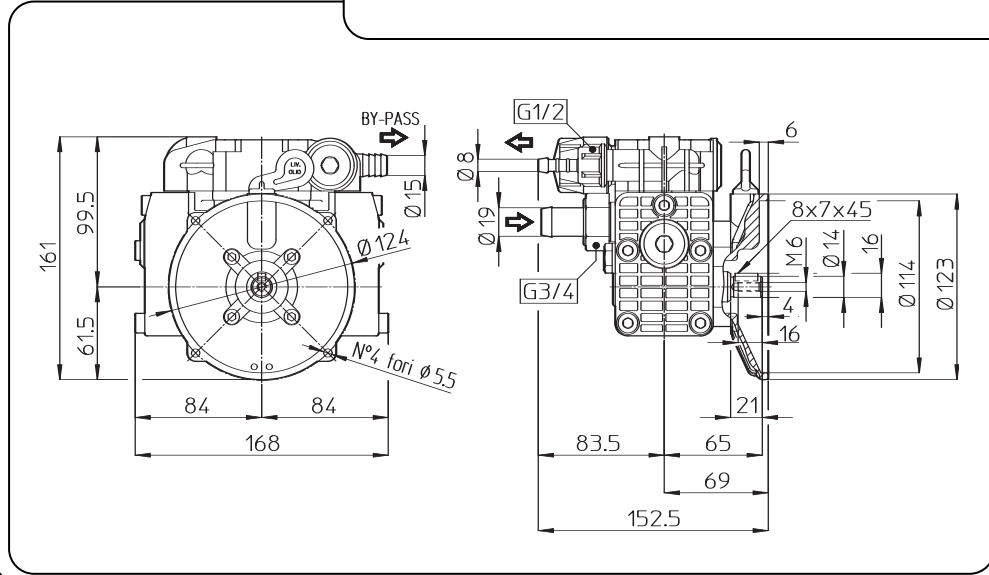
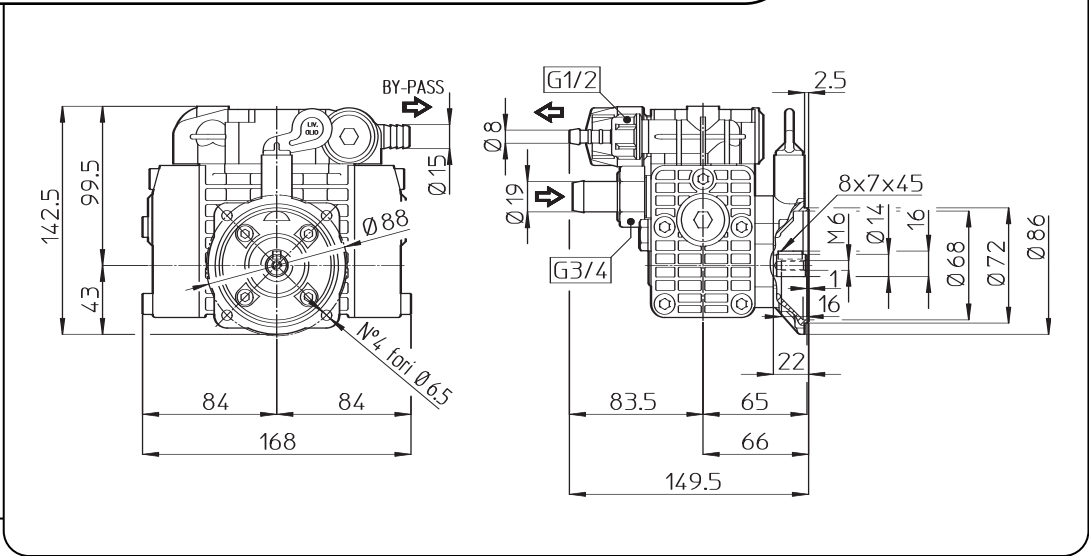
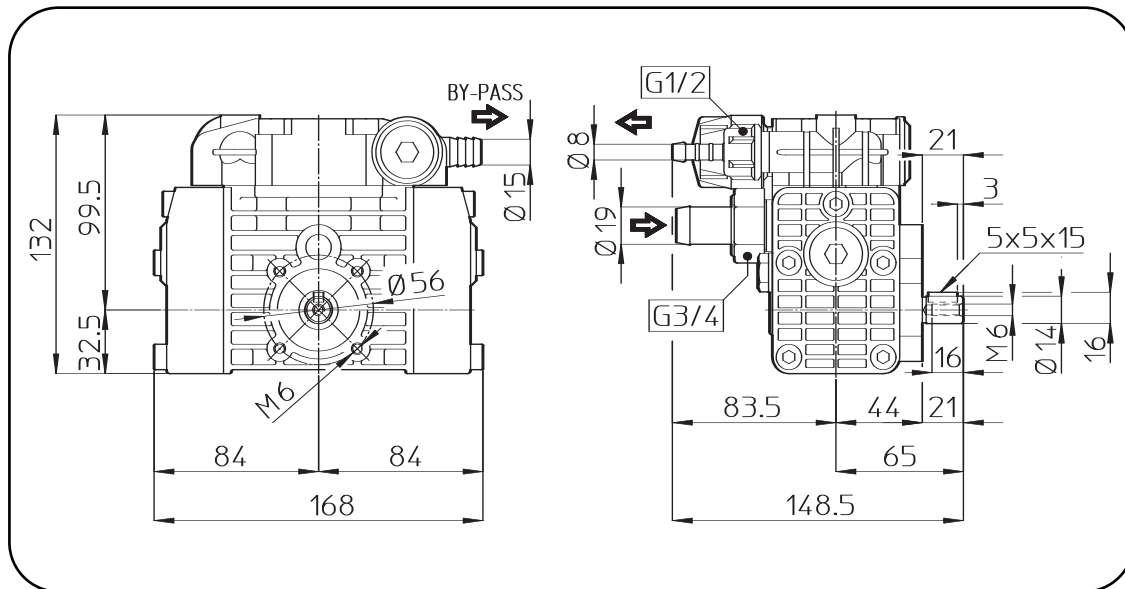




# DIAPHRAGM PUMPS Dimensional Drawings

All dimensions are in millimeters. (x .03937 for Inches)



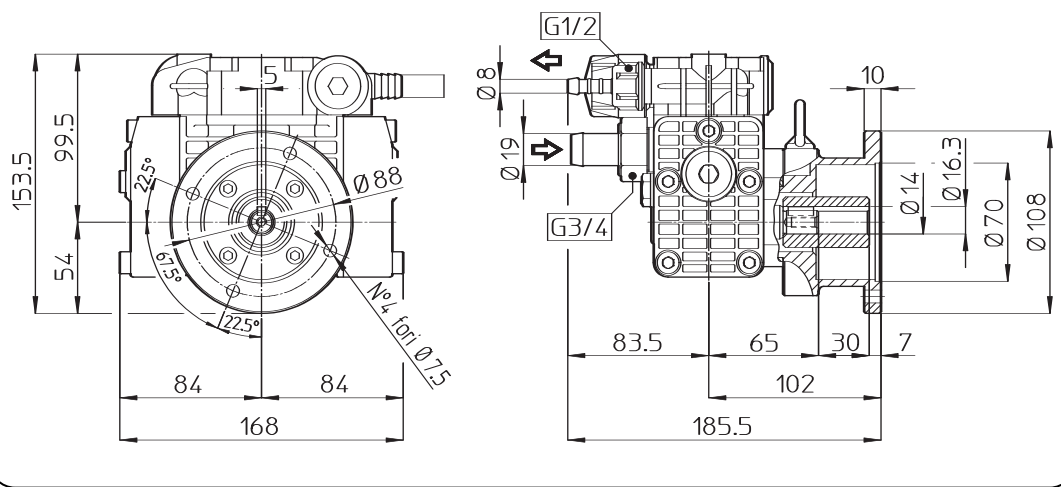
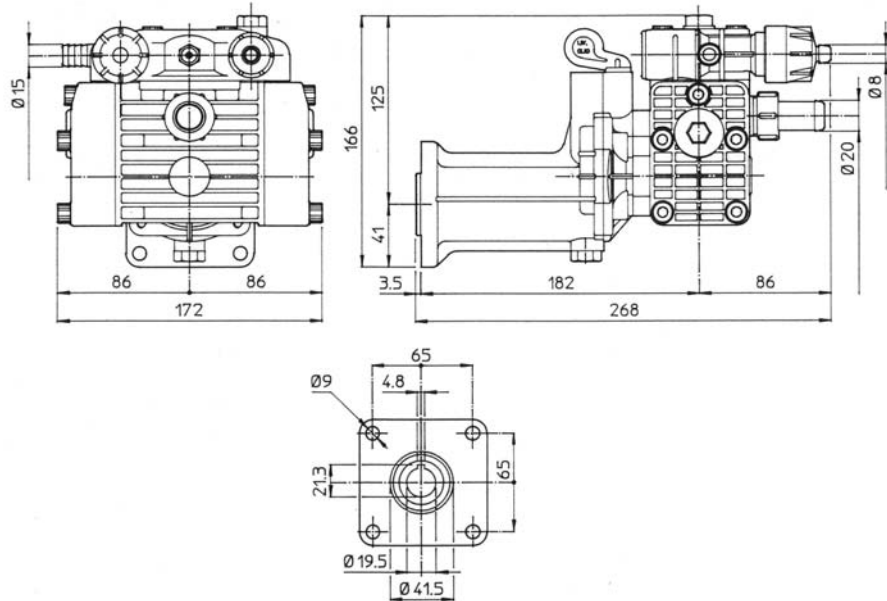
**DIMENSIONAL  
DRAWINGS**



# DIAPHRAGM PUMPS Dimensional Drawings

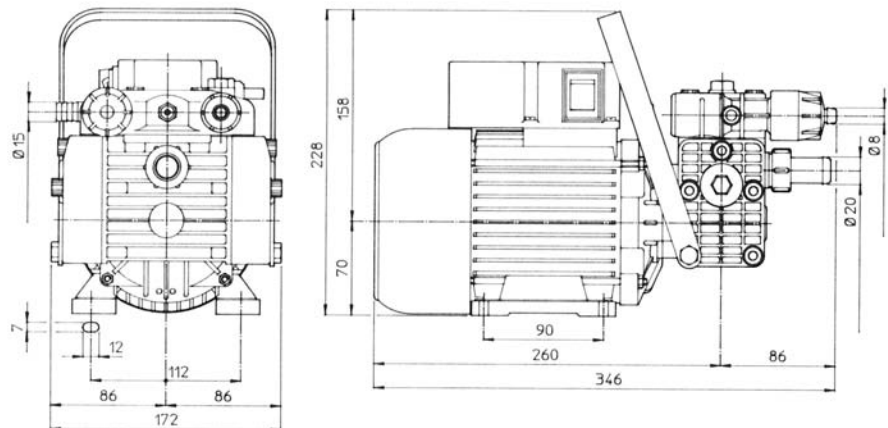
All dimensions are in millimeters. (x .03937 for Inches)

**KAPPA-15 GR**



**KAPPA-7-15-18 DC**

**KAPPA-7-15 115 Volt**



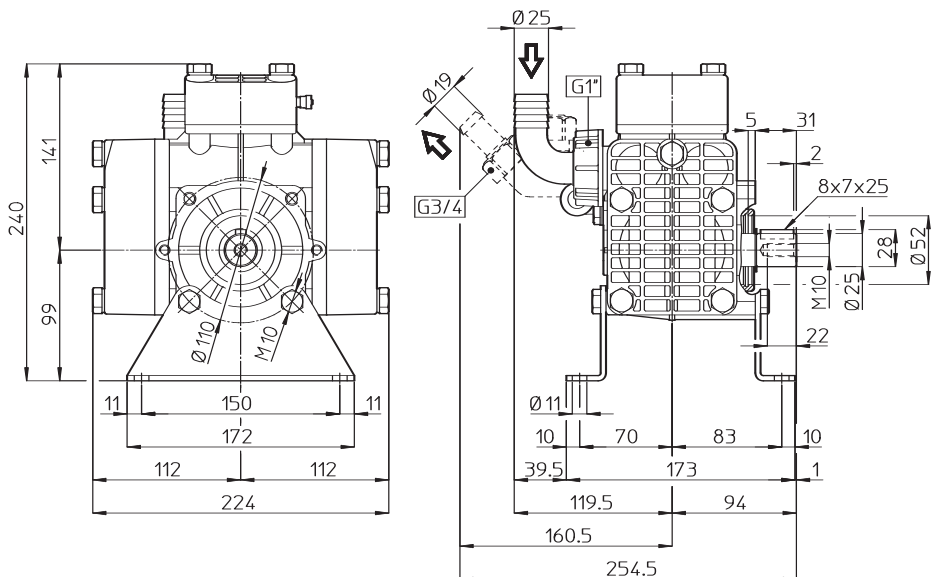
**DIMENSIONAL  
DRAWINGS**



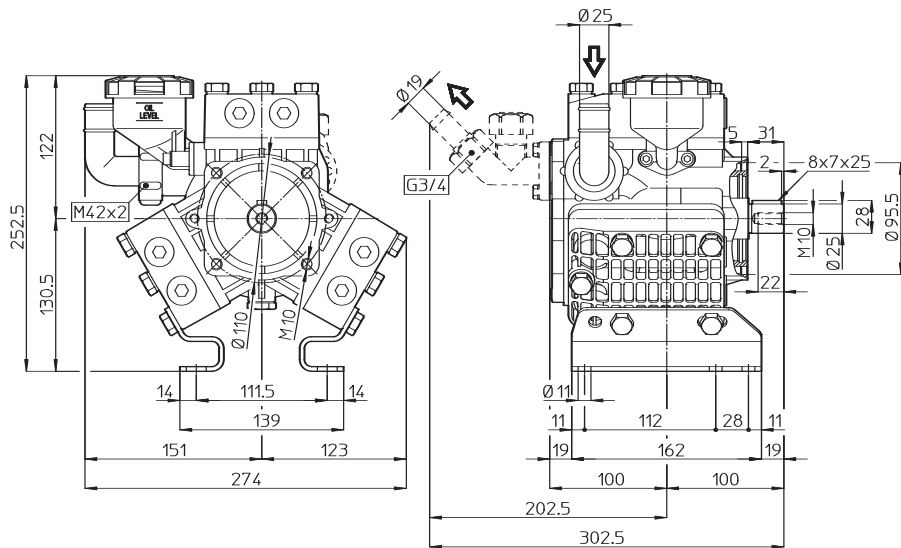
# DIAPHRAGM PUMPS Dimensional Drawings

All dimensions are in millimeters. (x .03937 for Inches)

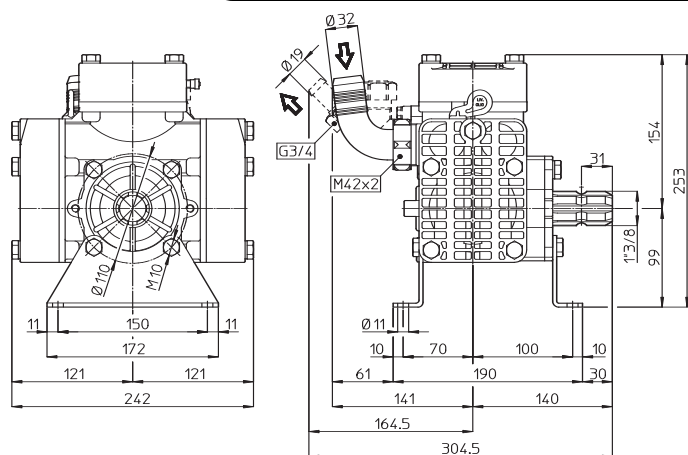
**KAPPA-25**



**KAPPA-33/43/53**



**KAPPA-30/40 C**



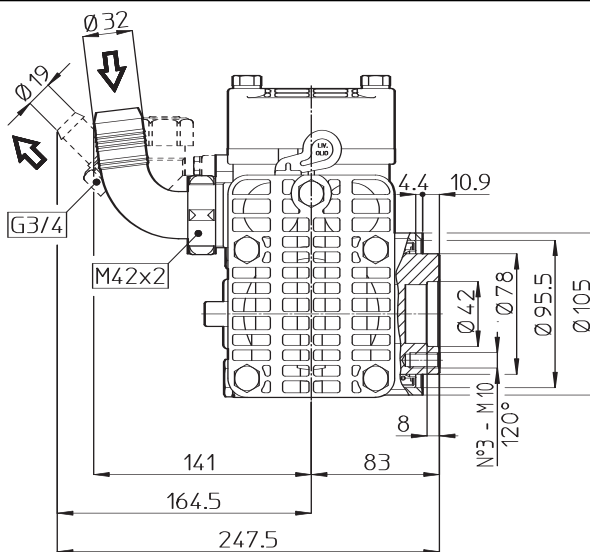
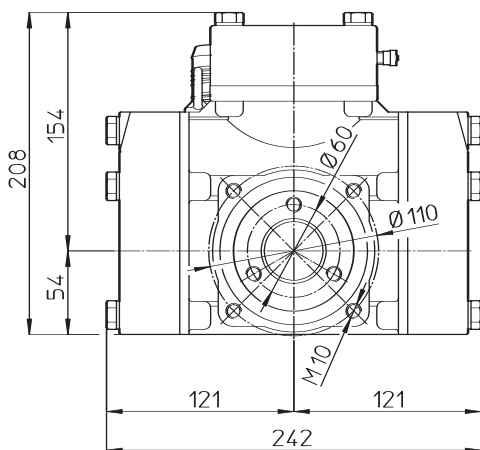
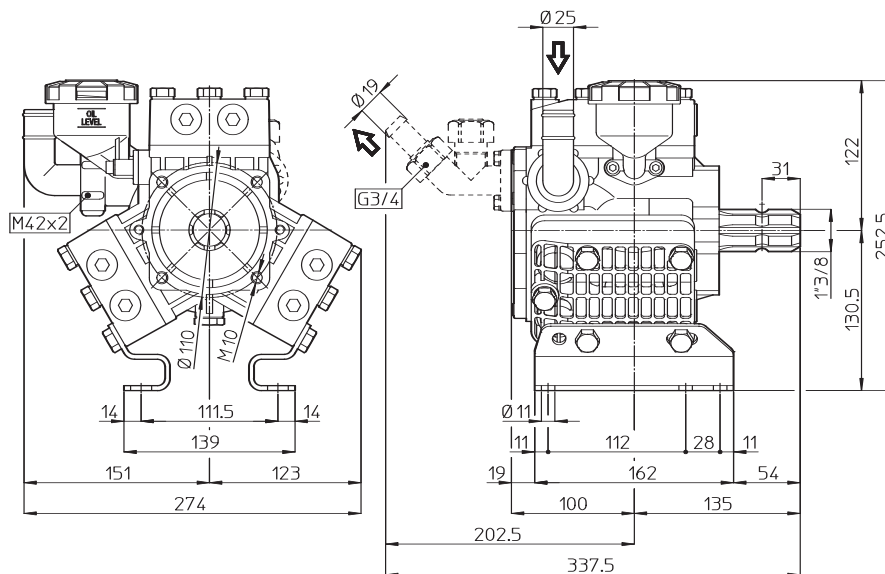
**DIMENSIONAL  
DRAWINGS**



# DIAPHRAGM PUMPS Dimensional Drawings

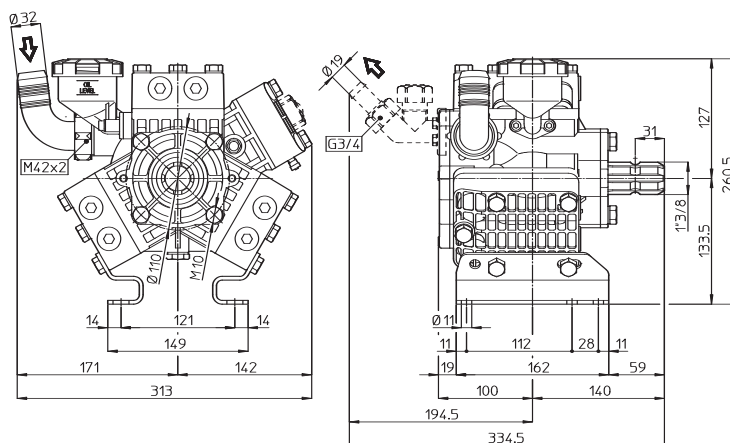
All dimensions are in millimeters. (x .03937 for Inches)

**KAPPA-33/43/53 C**



**KAPPA-30/40/50**

**KAPPA-55 C**

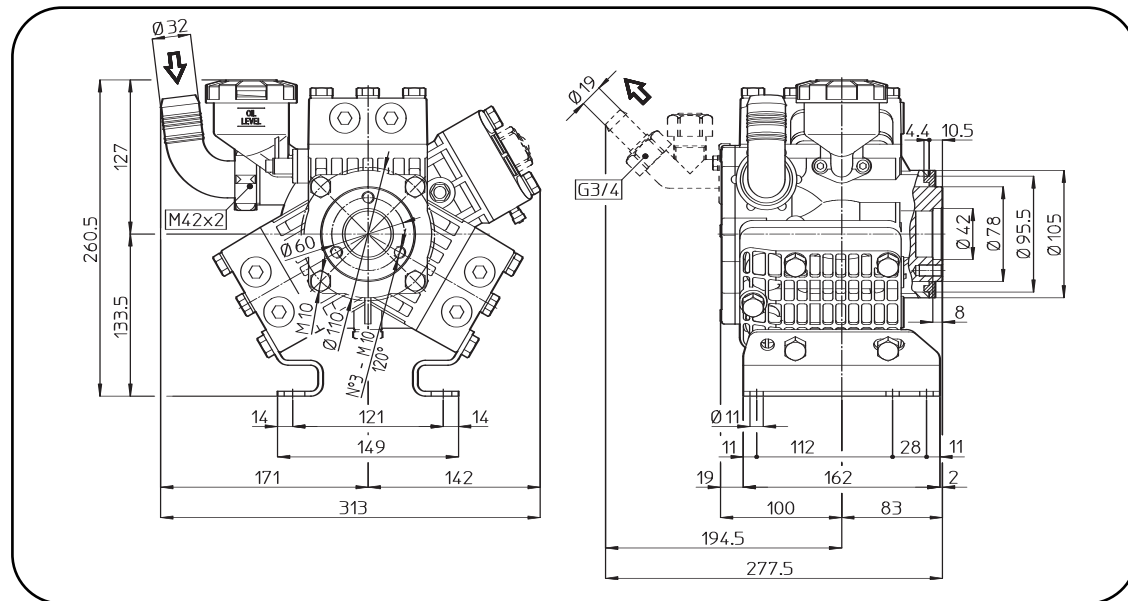


**DIMENSIONAL  
DRAWINGS**

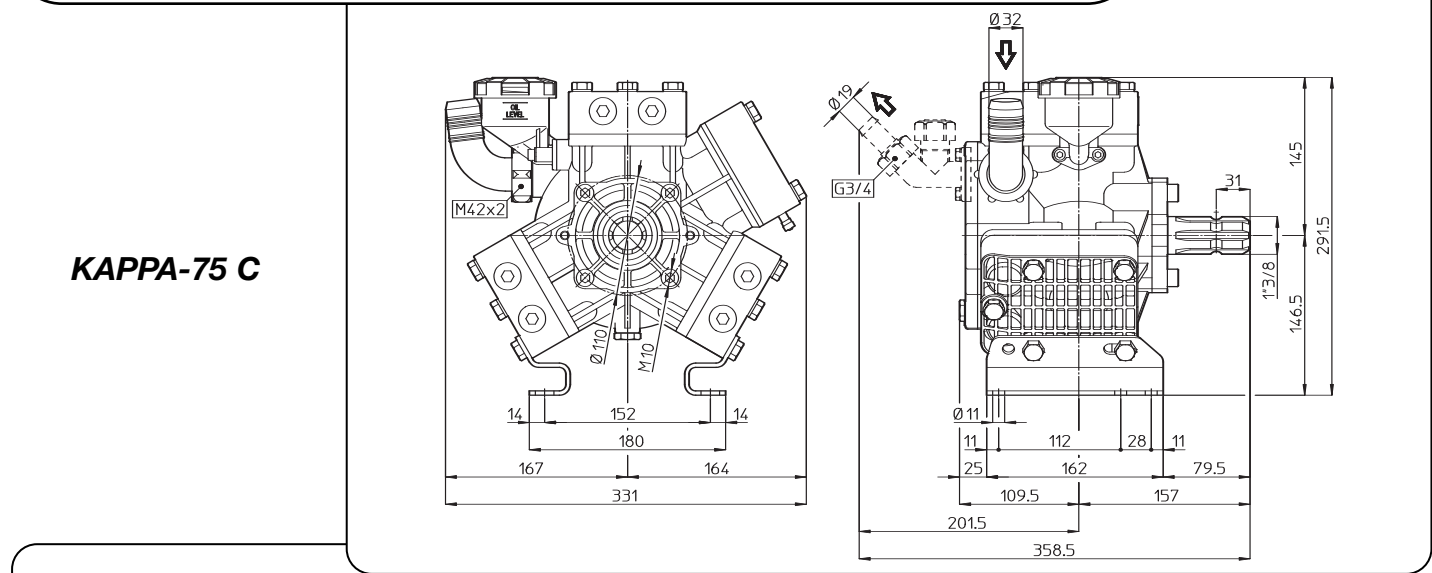


# DIAPHRAGM PUMPS Dimensional Drawings

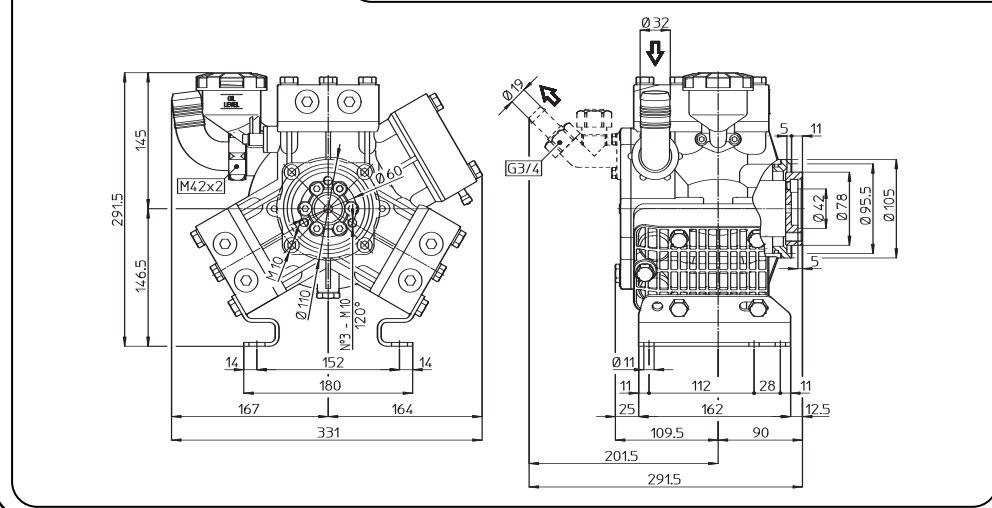
All dimensions are in millimeters. (x .03937 for Inches)



**KAPPA-55**



**KAPPA-75 C**



**KAPPA-75**

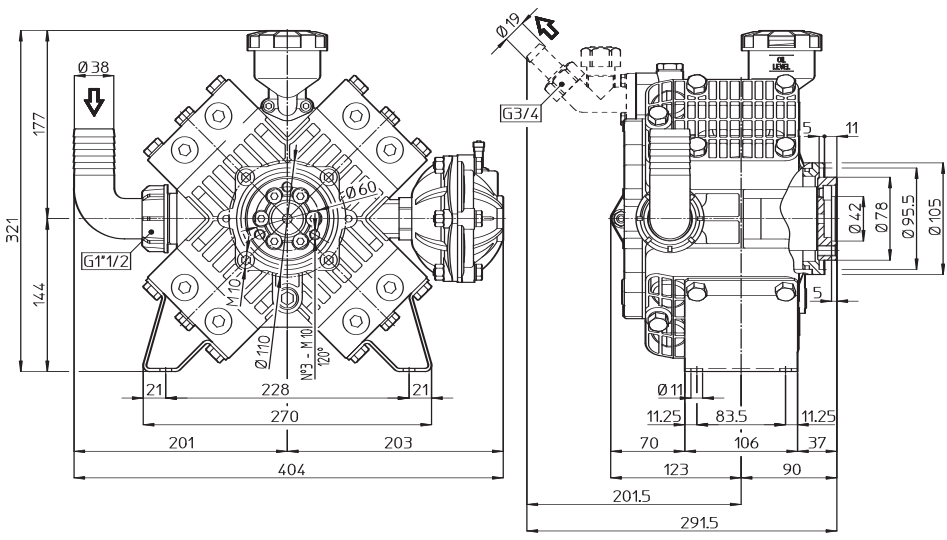
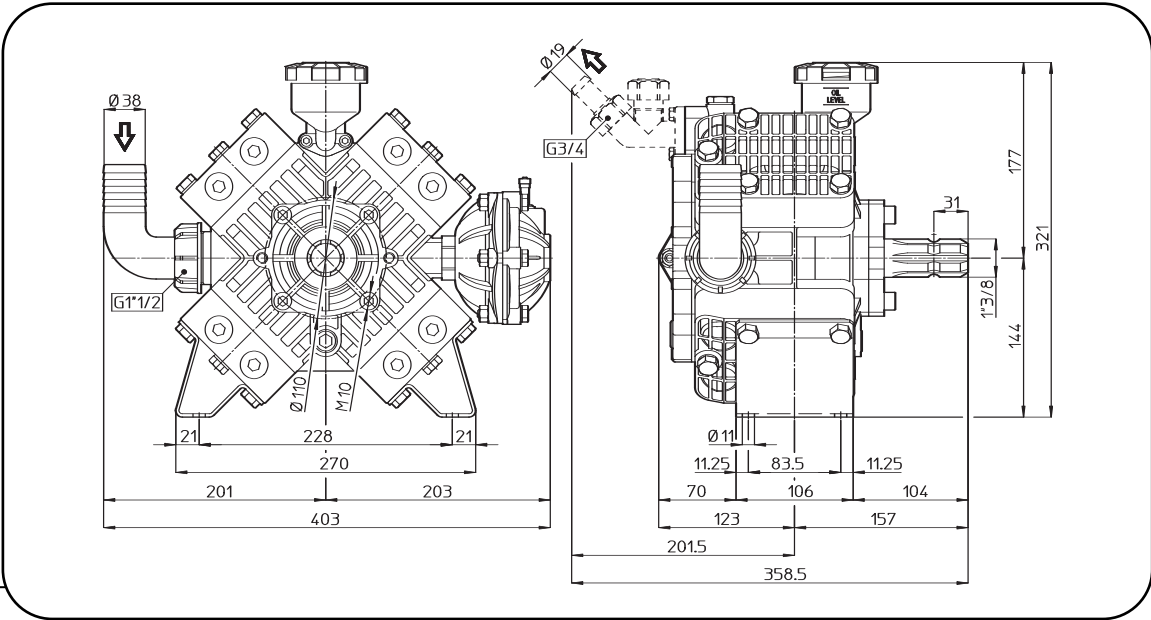
**DIMENSIONAL  
DRAWINGS**



# DIAPHRAGM PUMPS Dimensional Drawings

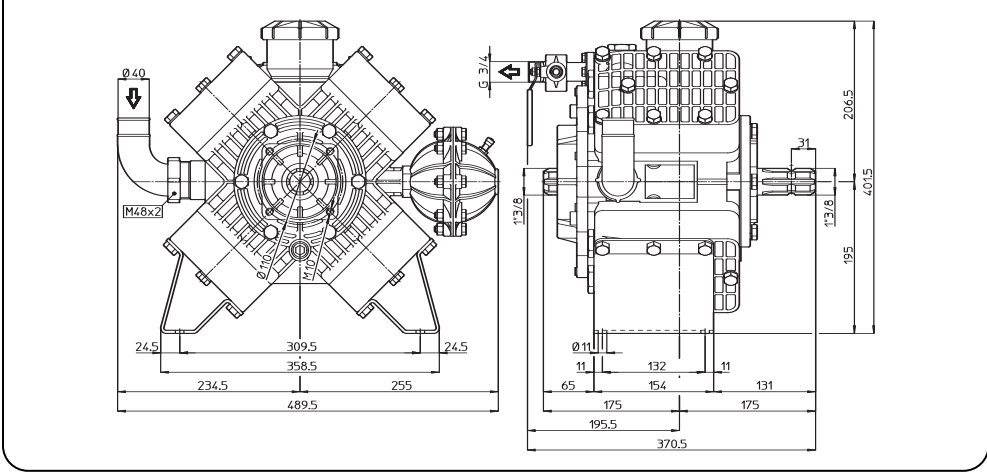
All dimensions are in millimeters. (x .03937 for Inches)

**KAPPA-100 C**



**KAPPA-100**

**KAPPA-120/150 CC**



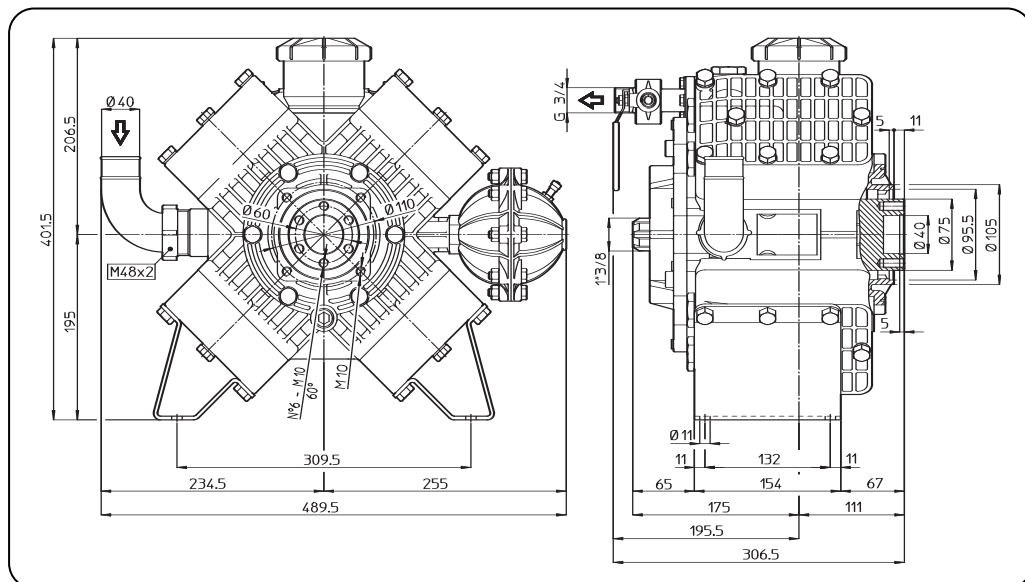
**DIMENSIONAL  
DRAWINGS**





# DIAPHRAGM PUMPS Dimensional Drawings

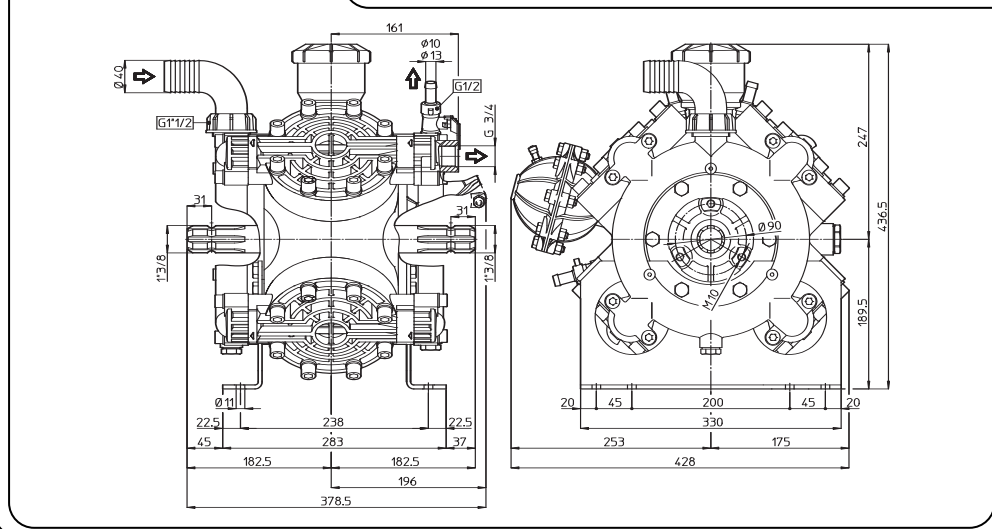
All dimensions are in millimeters. (x .03937 for Inches)



**KAPPA-120/150 TS**



**OMEGA-140 CC**



**OMEGA-170 CC**

**DIMENSIONAL  
DRAWINGS**