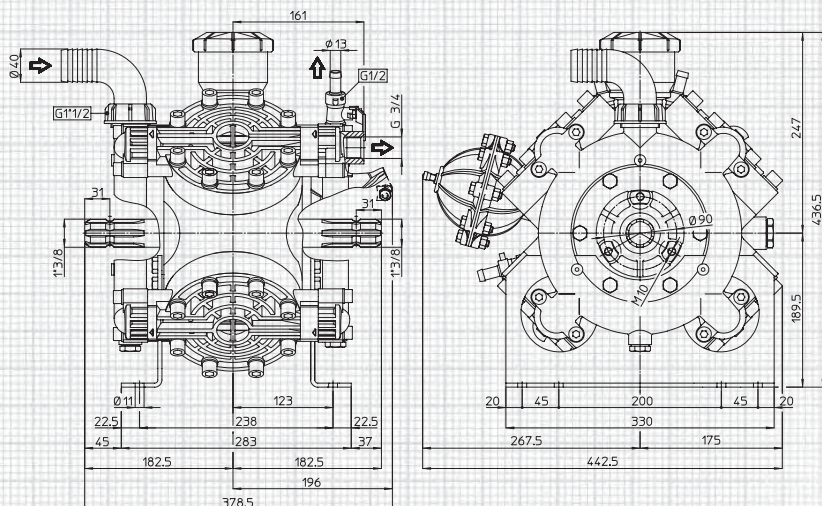


# OMEGA 170 max. 177 l/min - 47 GPM • 50 bar - 725 PSI • 550 RPM



alberi P. di F. disponibili available P.T.O. shaft



MOD.	RPM	0 bar / 0 PSI				20 bar / 290 PSI				30 bar / 435 PSI				40 bar / 580 PSI				50 bar / 725 PSI				Peso Weight
		Portata Flow rate		Potenza Power		Portata Flow rate		Potenza Power		Portata Flow rate		Potenza Power		Portata Flow rate		Potenza Power		Portata Flow rate		Potenza Power		
OMEGA 170		l/min	GPM	HP	KW	l/min	GPM	HP	KW	l/min	GPM	HP	KW	l/min	GPM	HP	KW	l/min	GPM	HP	KW	45
	400	134.3	35.5	1.3	1.0	130.7	34.5	6.9	5.1	130.0	34.3	10.1	7.4	129.3	34.2	13.3	9.7	128.6	34.0	16.5	12.1	
	450	150.5	39.8	1.5	1.1	146.2	38.6	7.7	5.7	145.3	38.4	11.3	8.3	144.4	38.2	14.8	10.9	143.5	37.9	18.4	13.5	
	500	164.8	43.5	1.6	1.2	158.5	41.9	8.3	6.1	157.4	41.6	12.3	9.0	156.3	41.3	16.0	11.8	155.2	41.0	19.9	14.6	
	550	177.0	46.8	1.8	1.3	169.9	44.9	8.9	6.6	168.6	44.5	13.1	9.7	167.3	44.2	17.2	12.6	166.0	43.9	21.3	15.6	