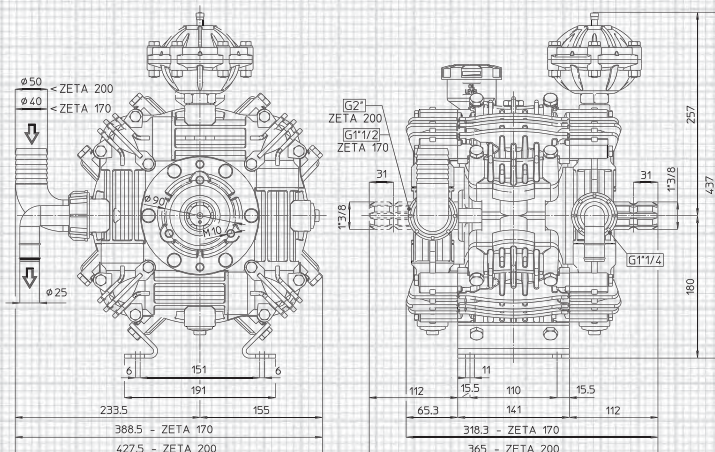


ZETA 170
ZETA 200

max. 170 l/min - 45 GPM • 20 bar - 290 PSI • 550 RPM

max. 198 l/min - 52 GPM • 20 bar - 290 PSI • 550 RPM



alberi P. di F. disponibili available P.T.O. shaft

1C



13

Solo/Only ZETA 170

MI



TS 2C



13

Per le dimensioni degli Alberi P. di F. vedi pag. 35

For P.T.O. Shaft dimensions see page 35

applicazioni shaft adaptors



13

| MOD. | RPM | 0 bar / 0 PSI | | | | 5 bar / 72 PSI | | | | 10 bar / 145 PSI | | | | 15 bar / 217 PSI | | | | 20 bar / 290 PSI | | | | Peso Weight |
|-----------------|-----|-------------------|------|---------------|-----|-------------------|------|---------------|-----|-------------------|------|---------------|-----|-------------------|------|---------------|-----|-------------------|------|---------------|-----|-------------|
| | | Portata Flow rate | | Potenza Power | | Portata Flow rate | | Potenza Power | | Portata Flow rate | | Potenza Power | | Portata Flow rate | | Potenza Power | | Portata Flow rate | | Potenza Power | | |
| | | l/min | GPM | HP | kW | l/min | GPM | HP | kW | l/min | GPM | HP | kW | l/min | GPM | HP | kW | l/min | GPM | HP | kW | Kg |
| ZETA 170 | 400 | 125.9 | 33.3 | 1.3 | 0.9 | 121.0 | 32.0 | 1.6 | 1.1 | 120.3 | 31.8 | 3.1 | 2.3 | 119.6 | 31.6 | 4.6 | 3.4 | 118.9 | 31.4 | 6.1 | 4.5 | 24 |
| | 450 | 140.6 | 37.1 | 1.4 | 1.0 | 135.7 | 35.9 | 1.7 | 1.3 | 135.0 | 35.7 | 3.5 | 2.5 | 134.3 | 35.5 | 5.2 | 3.8 | 133.6 | 35.3 | 6.9 | 5.0 | |
| | 500 | 155.3 | 41.0 | 1.6 | 1.1 | 150.4 | 39.7 | 1.9 | 1.4 | 149.7 | 39.6 | 3.8 | 2.8 | 149.0 | 39.4 | 5.7 | 4.2 | 148.3 | 39.2 | 7.6 | 5.6 | |
| | 550 | 170.0 | 44.9 | 1.7 | 1.2 | 165.1 | 43.6 | 2.1 | 1.6 | 164.4 | 43.4 | 4.2 | 3.1 | 163.7 | 43.2 | 6.3 | 4.6 | 163.0 | 43.1 | 8.4 | 6.1 | |
| ZETA 200 | 400 | 145.8 | 38.5 | 1.5 | 1.1 | 140.9 | 37.2 | 1.8 | 1.3 | 140.2 | 37.0 | 3.6 | 2.6 | 139.5 | 36.9 | 5.4 | 3.9 | 138.8 | 36.7 | 7.1 | 5.2 | 26 |
| | 450 | 163.2 | 43.1 | 1.6 | 1.2 | 158.3 | 41.8 | 2.0 | 1.5 | 157.6 | 41.6 | 4.0 | 3.0 | 156.9 | 41.5 | 6.0 | 4.4 | 156.2 | 41.3 | 8.0 | 5.9 | |
| | 500 | 180.6 | 47.7 | 1.8 | 1.3 | 175.7 | 46.4 | 2.3 | 1.7 | 175.0 | 46.2 | 4.5 | 3.3 | 174.3 | 46.1 | 6.7 | 4.9 | 173.6 | 45.9 | 8.9 | 6.5 | |
| | 550 | 198.0 | 52.3 | 2.0 | 1.5 | 193.1 | 51.0 | 2.5 | 1.8 | 192.4 | 50.8 | 4.9 | 3.6 | 191.7 | 50.6 | 7.4 | 5.4 | 191.0 | 50.5 | 9.8 | 7.2 | |