

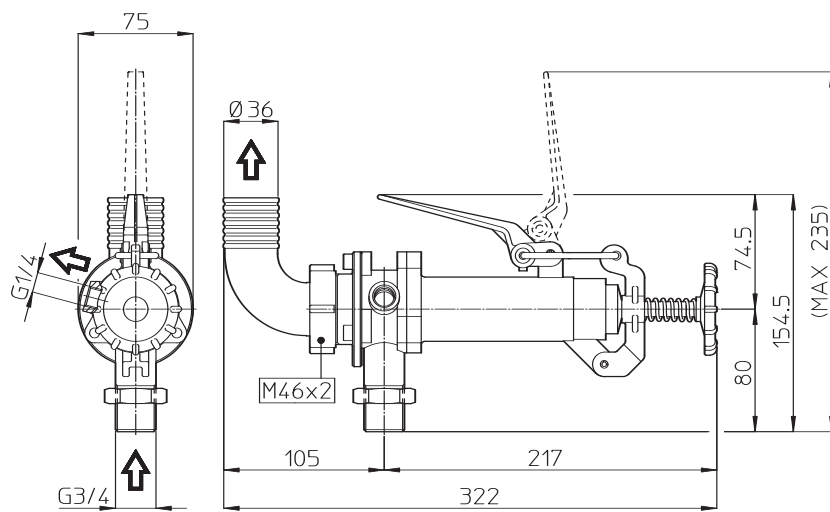
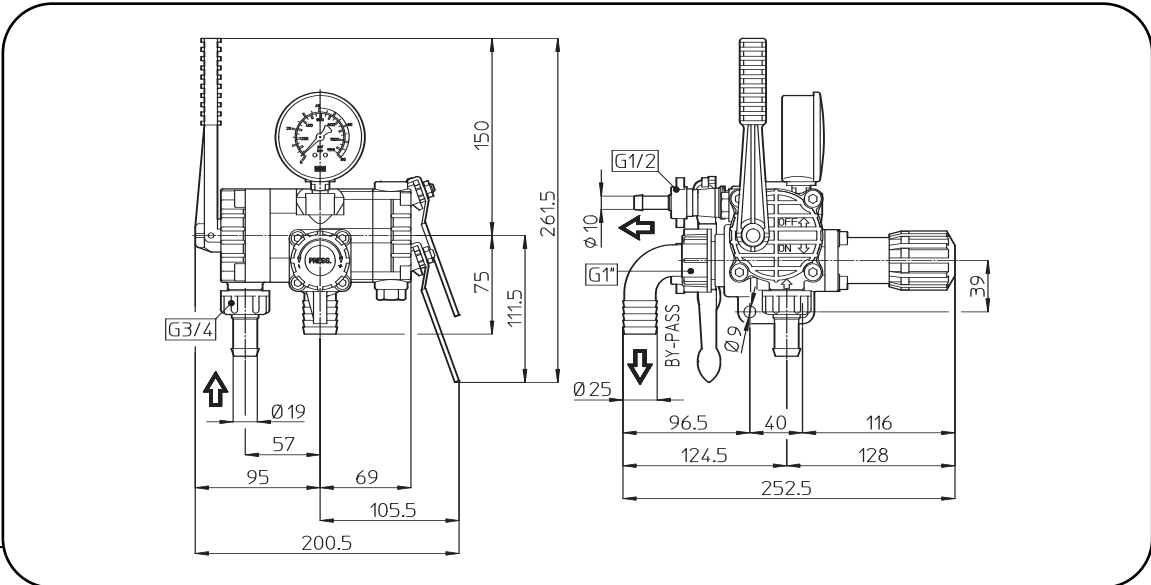


CONTROL UNITS

Dimensional Drawings

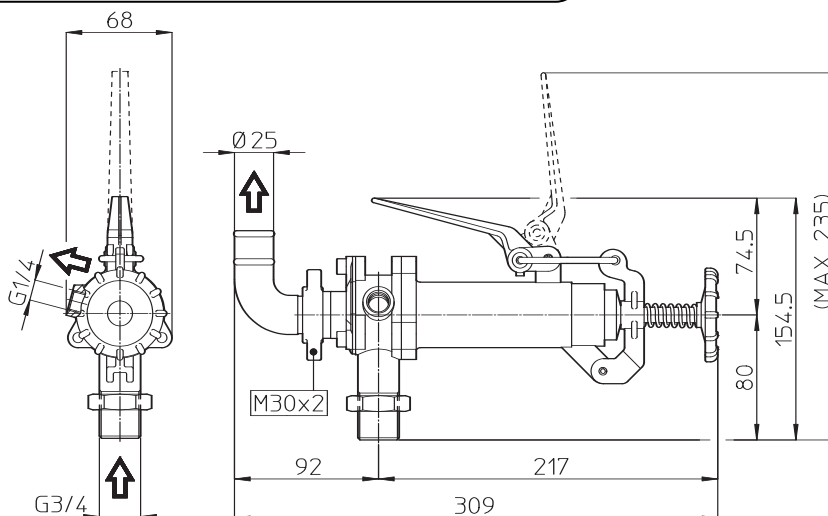
All dimensions are in millimeters. (x .03937 for Inches)

6004.05



6005.14
6005.14/N

6005.15
6005.15/N



DIMENSIONAL DRAWINGS

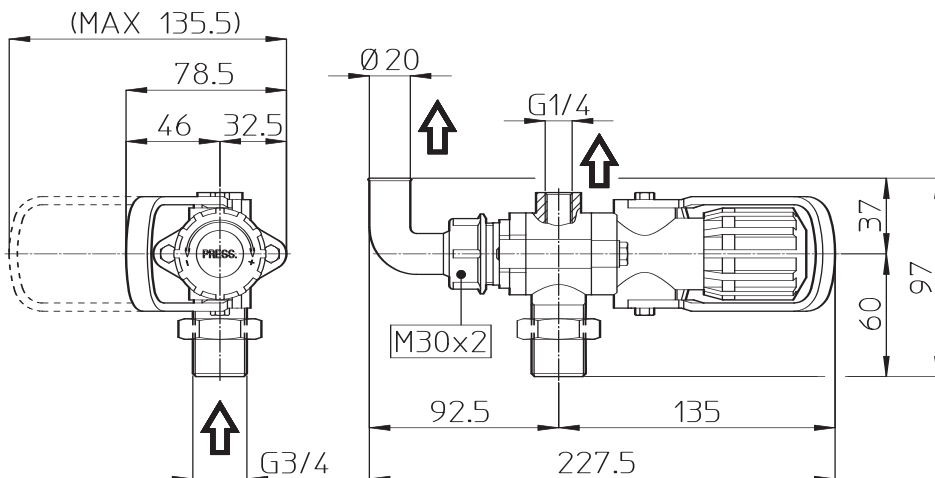


CONTROL UNITS

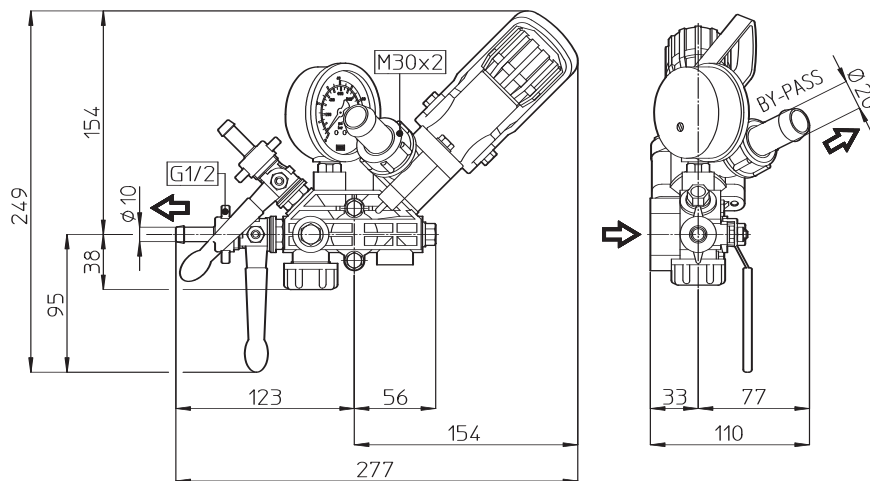
Dimensional Drawings

All dimensions are in millimeters. (x .03937 for Inches)

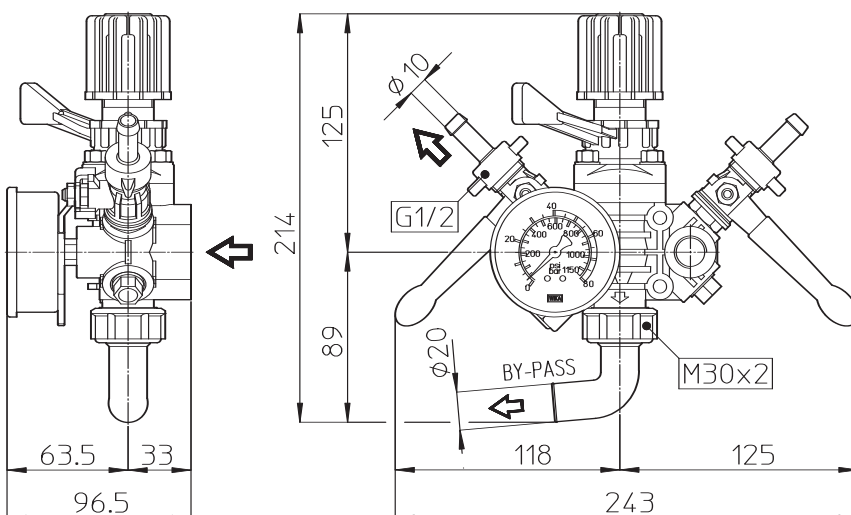
6005.31
6005.31/N
6005.31/LP
6005.31/LP-N



6010.24 - 6010.24 LP



6010.93 - 6010.95



**DIMENSIONAL
 DRAWINGS**

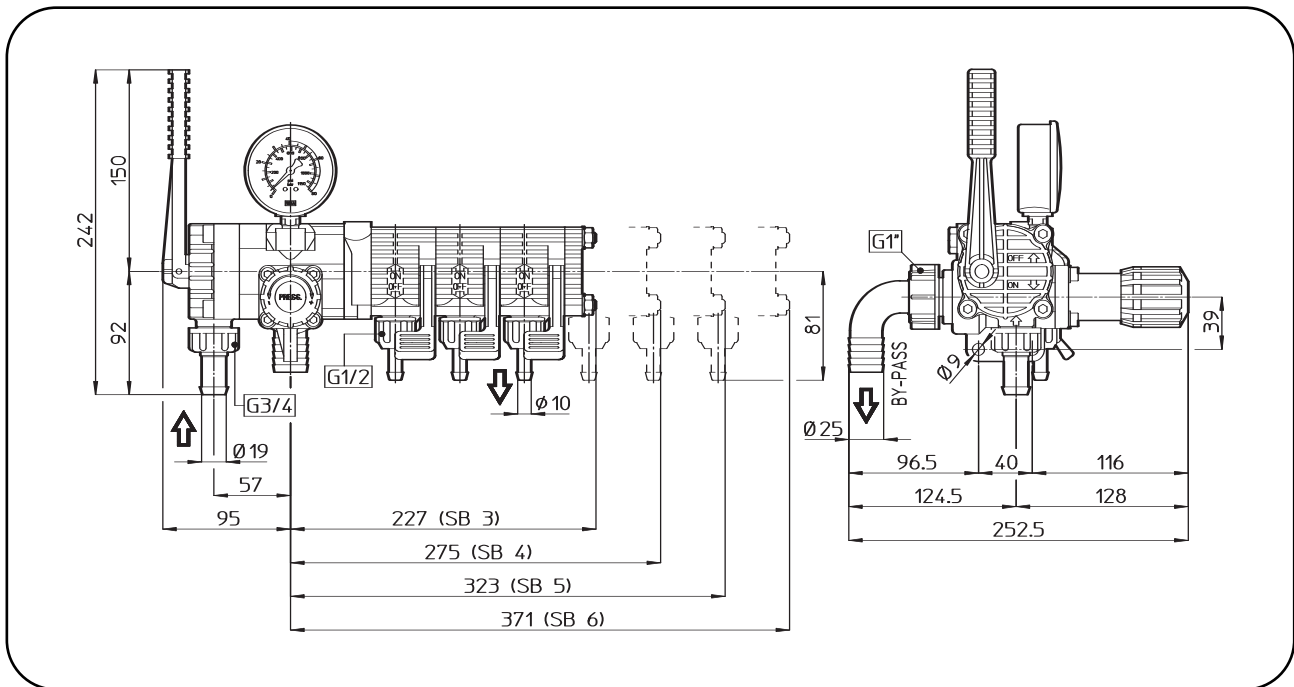


CONTROL UNITS

Dimensional Drawings

All dimensions are in millimeters. (x .03937 for Inches)

SB-3
SB-4
SB-5
SB-6



DIMENSIONAL DRAWINGS