



# ZETA-120/C & ZETA-140/C

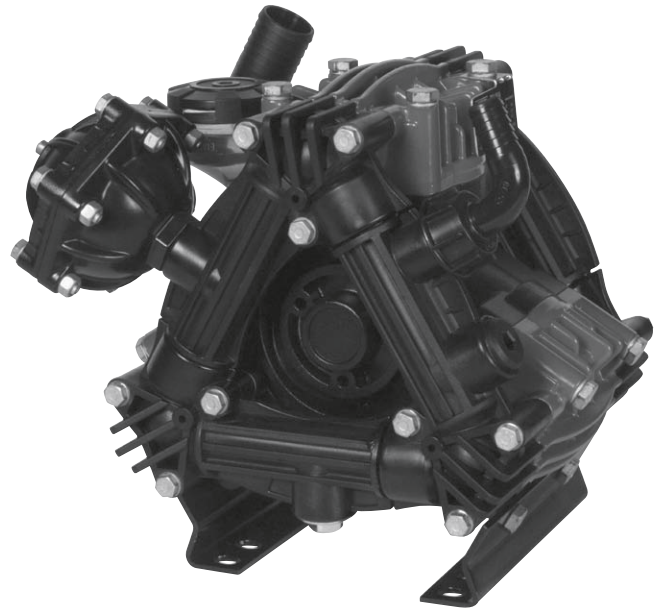
*Low Pressure Diaphragm Pump*

ZETA-120/C and ZETA-140/C low pressure, 3-cylinder diaphragm pumps are excellent for various horticultural and agricultural spraying applications. Simplicity of design and common parts allow easy and affordable maintenance. A built-in pulsation dampener and 1-3/8" male six-spline PTO shaft are standard. PTO safety shield part # 1219.25 is recommended.

The ZETA-120/C and ZETA-140/C have an anodized aluminum body, plasticized aluminum heads, glass-filled nylon manifolds and stainless steel liquid handling parts.

For industrial uses and spraying applications not listed, please consult UDOR U.S.A.

A control unit is not included with the ZETA-120/C & ZETA-140/C. Please consult UDOR U.S.A. Diaphragm Pump catalog or website for an appropriate unit.



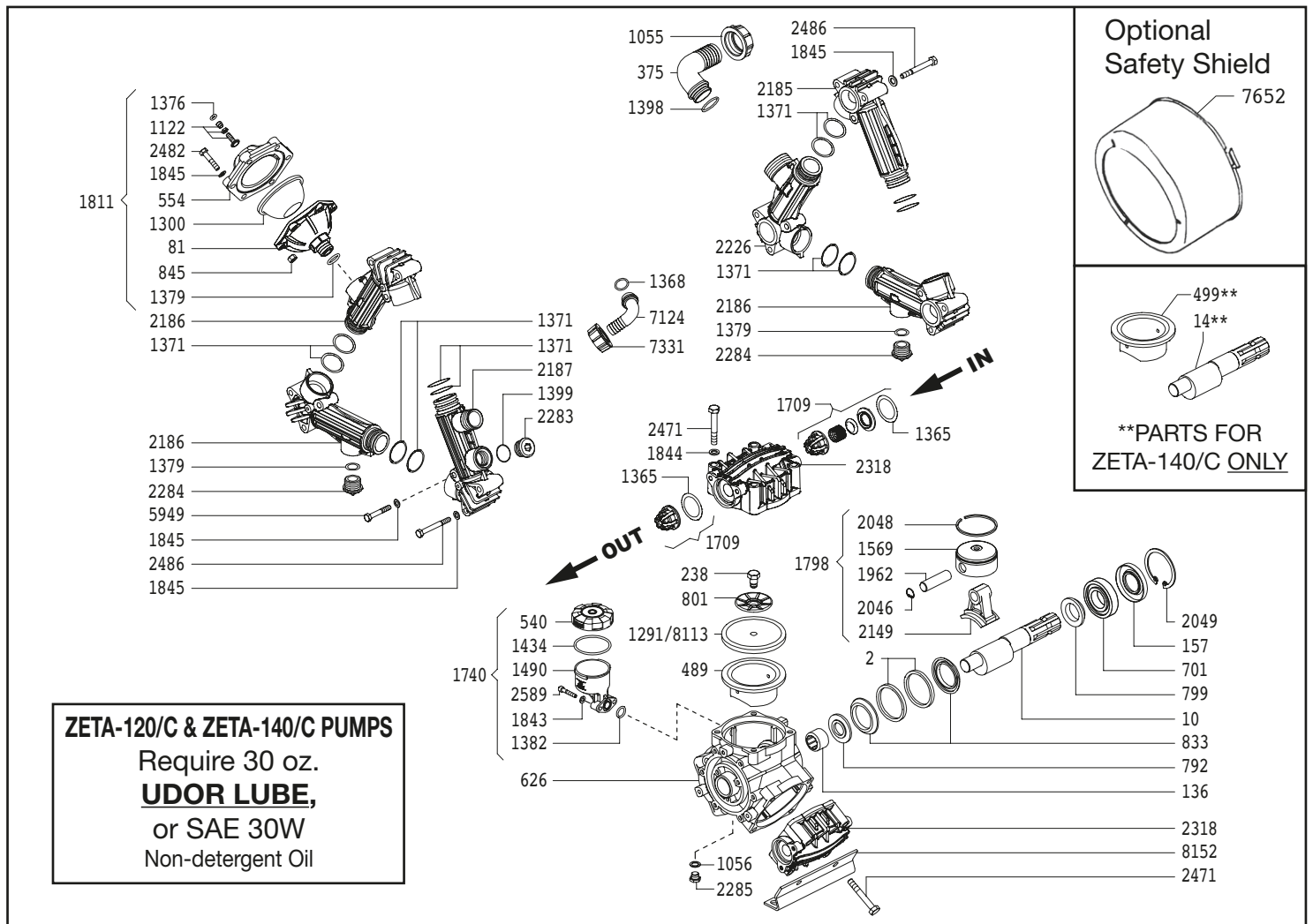
## SPECIFICATIONS

Maximum Flow	
ZETA-120/C.....	31 GPM
ZETA-140/C.....	36 GPM
Maximum Pressure.....	300 PSI
Maximum RPM.....	540 RPM
Maximum Temperature.....	140°F
Inlet Port (Hose Barb).....	1-1/2"
Outlet Port (Hose Barb) .....	3/4"
Dimensions.....	L-14" x W-11.5" x H-12"
Weight .....	45 lbs.
Diaphragm Material	
Standard.....	DESMOPAN
Optional.....	BUNA-N

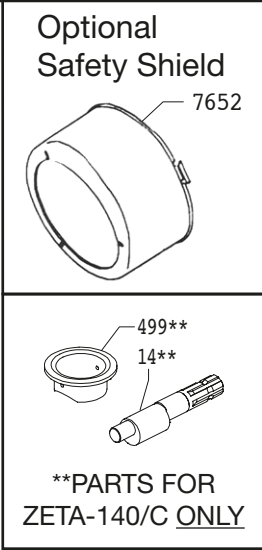
NOTE - Protect pumps from freezing. If freezing conditions exist, flush pump and system with a 50/50 mixture of anti-freeze and water.

**UDOR U.S.A., INC.**  
500 Apollo Drive  
Lino Lakes, MN 55014  
TEL. (651) 785-0666  
FAX. (800) 732-2670  
www.udorusa.com

# ZETA-120/C & ZETA-140/C - Exploded View Diagram and Parts List



**ZETA-120/C & ZETA-140/C PUMPS**  
 Require 30 oz.  
**UDOT LUBE,**  
 or SAE 30W  
 Non-detergent Oil



REF#	PART#	DESCRIPTION	QTY	REF#	PART#	DESCRIPTION	QTY
2	0001.02	Retainer Ring	2	1490	1203.27	Oil Reservoir	1
10	0002.59	Crank Shaft	1	1569	1205.08	Piston	3
**14	0002.63	Crank Shaft (ZETA-140/C ONLY)	1	1709	6006.08	Valve Assembly	6
81	0003.15	Accumulator	1	1740	6033.01	Oil Reservoir Assembly	1
136	0006.07	Bearing	1	1798	6015.62	Piston Rod Assembly	3
157	0007.05	Seal	1	1811	6031.09	Accumulator Assembly	1
238	0102.03	Diaphragm Bolt	3	1843	1403.07	Washer	2
375	0202.78	Suction Elbow	1	1844	1403.09	Washer	8
489	0206.14	Piston Sleeve	3	1845	1403.10	Washer	24
**499	0206.26	Piston Sleeve (ZETA-140/C ONLY)	3	1962	1502.01	Connecting Rod Pin	3
540	0208.98	Oil Cap	1	2046	1506.02	Snap Ring	6
557	0208.20	Accumulator Head	1	2048	1509.05	Piston Ring	3
626	0209.A6	Crank Case	1	2049	1506.07	Snap Ring	1
701	0214.05	Bearing	1	2149	1519.16	Connecting Rod	3
792	0301.12	Washer	1	2185	1601.36	Suction Manifold	1
799	0301.24	Washer	1	2186	1605.40	Manifold with 3/4" Female Port	3
801	0301.07	Retainer Washer	3	2187	1605.39	Discharge Manifold	1
833	0302.52	Rod Spacer	2	2226	1601.35	Suction Manifold	1
845	0303.01	Nut	6	2283	1603.87	Plug	1
1055	0604.50	Barb Nut	1	2284	1603.36	Plug	2
1056	0605.49	Gasket	1	2285	1603.67	Plug	1
1122	0608.16	Air Valve Assembly	1	2318	1604.E3	Head	3
1291	0903.02	Diaphragm (BUNA-N, Optional)	3	2471	1804.25	Bolt	12
*1300	0903.14	Accumulator Diaphragm	1	2482	1804.09	Bolt	6
*1365	1101.01	O-Ring	6	2486	1804.79	Bolt	12
1368	1101.04	O-Ring	1	2589	1805.31	Bolt	2
1371	1101.L5	O-Ring	12	5949	1804.72	Bolt	6
1376	1101.16	O-Ring	1	7124	0253.05	Discharge Elbow	1
1379	1101.04	O-Ring	1	7331	0604.36	Discharge Nut	1
1382	1101.29	O-Ring	1	7652	1219.25	Safety Shield Optional	1
1398	1101.42	O-Ring	1	*8113	0903.34	Diaphragm (DESMOPAN, Standard)	3
1399	1101.51	O-Ring	1	8152	1202.96	Mounting Rails	2
1434	1101.D1	O-Ring	1				

\* Parts Included in Diaphragm Repair Kit - #8700.04. (Also available in Buna-N - #8700.11.)

\*\* Parts for ZETA-140/C only