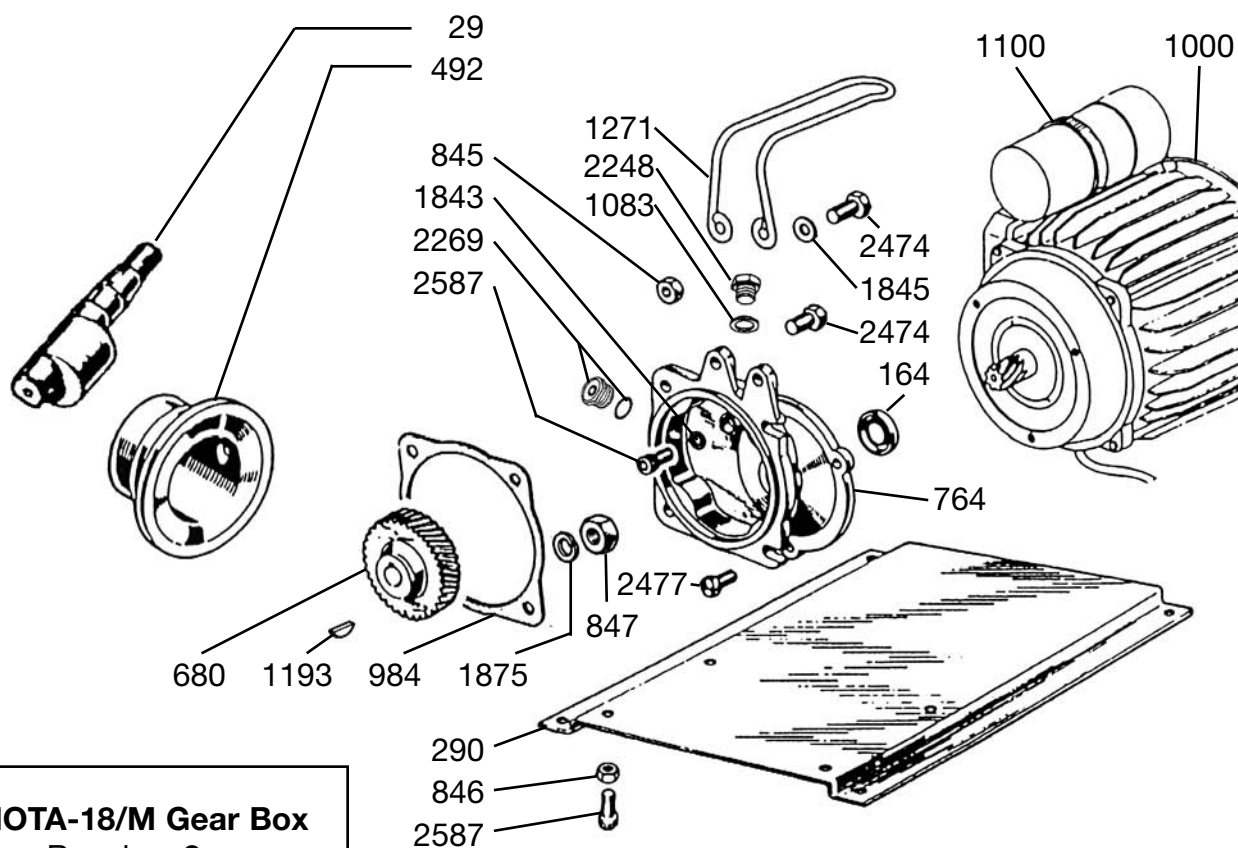




# IOTA-18/M

## Supplemental Parts List

Parts listed are in addition to, or replacing, standard IOTA-20 parts.



**IOTA-18/M Gear Box**  
Requires 2 oz.  
of 90W Gear Lube

| REF# | PART#   | DESCRIPTION              | QTY | REF# | PART#      | DESCRIPTION         | QTY |
|------|---------|--------------------------|-----|------|------------|---------------------|-----|
| 29   | 0002.E3 | Crankshaft, IOTA-18/M    | 1   | 1843 | 1403.07    | Washer              | 1   |
| 164  | 0007.22 | Seal                     | 1   | 1845 | 1403.10    | Washer              | 4   |
| 290  | 0107.03 | Base Plate               | 1   | 1875 | 1404.01    | Lock Washer         | 1   |
| 492  | 0206.52 | Piston Sleeve, IOTA-18/M | 2   | 2248 | 1603.67    | Oil Fill Plug       | 1   |
| 680  | 0213.18 | Gear, IOTA-18/M          | 1   | 2269 | 1603.69    | Oil Sight Gauge     | 1   |
| 764  | 0228.17 | Gear Housing             | 1   | 2474 | 1804.57    | Bolt                | 6   |
| 845  | 0303.01 | Nut                      | 2   | 2477 | 1804.67    | Bolt                | 2   |
| 846  | 0303.02 | Nut                      | 4   | 2587 | 1805.20    | Bolt                | 4   |
| 847  | 0303.10 | Nut                      | 1   |      | 12-13/HP-1 | Fan                 | 1   |
| 984  | 0602.25 | Gasket                   | 1   |      | 12-14/HP-1 | Fan Cover           | 1   |
| 1000 | 0908.31 | Electric Motor, 1 HP     | 1   |      | 12-15/HP-1 | On/Off Switch       | 1   |
| 1083 | 0605.49 | Gasket                   | 1   |      | 12-17/HP-1 | Complete Switch Box | 1   |
| 1100 | 1238.73 | Capacitor                | 1   |      | 12-18/HP-1 | Overload Protector  | 1   |
| 1193 | 0801.03 | Key                      | 1   |      |            |                     |     |
| 1271 | 0902.19 | Handle                   | 1   |      |            |                     |     |

**PROTECT PUMP FROM FREEZING.**

**If freezing conditions exist, flush pump with a 50/50 mixture of antifreeze and water.**